



# DATASHEET

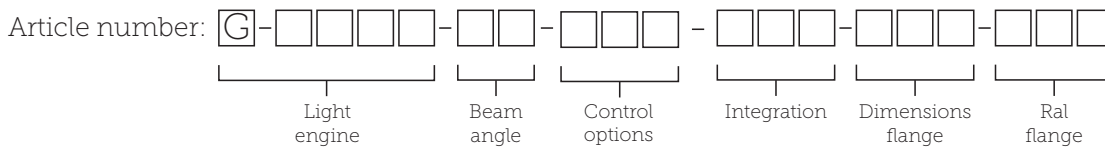
## SINGLE WHITE SPOT

### CONTENT

### PAGE

MEASUREMENTS, SPECIFICATIONS & DETAILS	2
PHASE CUT DIMMING	4
-DRIVER 9 WATT	
-DRIVER 40 WATT	
CASAMBI	6
-DRIVER 20 WATT	
-DRIVER 50 WATT	
DALI	8
-DRIVER 20 WATT	
-DRIVER 50 WATT	
DMX	10
-DRIVER 50 WATT	
0-10 VOLT	11
-DRIVER 50 WATT	

### LIGHT ENGINE ORDER NUMBER CONFIGURATOR



LIGHT ENGINE	BEAM ANGLE	CONTROL OPTIONS	INTEGRATION	DIMENSIONS FLANGE	RAL FLANGE
G-SW22 = 2200K	20°	010 = 0-10V	SC = Spring Clips	90= 90 mm	W= White
G-SW27 = 2700K	40°	PHD = Phase Dimming	ADJ = Adjustable	104 = 104mm	B= Black
G-SW30 = 3000K		DAL = DALI	CON = Contra Construction		CUS= Customized
G-SW40 = 4000K		CAS= Casambi	SUR = Surface Mounted		
		DMX = DMX			



# DATASHEET

## SINGLE WHITE SPOT

### MEASUREMENTS

ITEM	DIAMETER	HEIGHT
Drill diameter of Spot	Ø 78 mm	
Spot engine SW	Ø 55,4 mm	H 70 mm
Spot engine DW/RGB + W	Ø 55,4 mm	H 86 mm
Surface mounted pin spot	Ø 110 mm	H 120 mm
Flange size (spring clips)	Ø 90 mm	H 1,5mm
Drill diameter of Plaster Ring	Ø 88-94 mm	
Plaster Ring	Ø 124 mm	H 12 mm (Plaster thickness 3,5 mm)

### SPECIFICATIONS

LIGHT ENGINE	DESCRIPTION
Light composition	Single White
Lumen output	Ca. 500-600 Lumen
Control options	External driver: Casambi, DMX, DALI, 0-10V, Phase Dimming, Zigbee 3.0
Dimming options	Casambi, DMX, DALI, 0-10V, Phase Dimming, Zigbee 3.0
Luminaire type, assembly, adjustable	Ceiling build in, Surface mounted, Adjustable
Dimensions	See Brochure
Flange	Aluminium
Heat sink	Casting Aluminium
Finish / colour	Powder Coated - Black, White, Customized, Anodised
Protection marking compliance	IP20, CE
Warranty	2 years
Produced in	The Netherlands
Specials	Customized version, Light colour, colour Rendering
Colour rendering index	CRI 96
Lifespan	70% after 50.000H
External drive	Current: 825mA, Power: 12W max

### MAXIMUM REMOTE MOUNTING DISTANCE OF LED LOAD

AWG 20 (0.52 mm<sup>2</sup>) - 14 m

AWG 19 (0.65 mm<sup>2</sup>) - 18 m

AWG 18 (0.82 mm<sup>2</sup>) - 22 m

AWG 17 (1.04 mm<sup>2</sup>) - 28 m

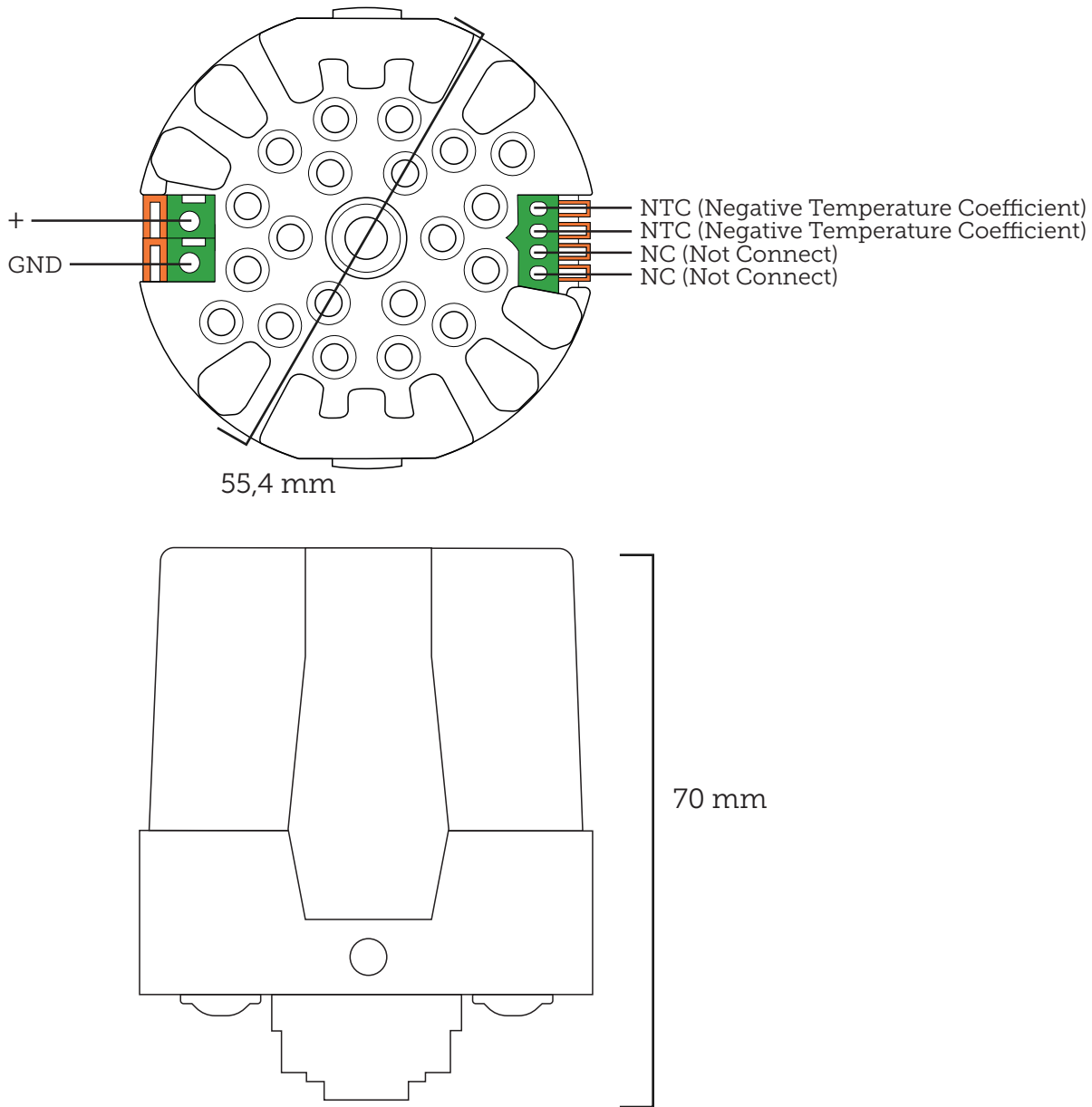
AWG 16 (1.31 mm<sup>2</sup>) - 36 m



# DATASHEET

## SINGLE WHITE SPOT

### MECHANICAL DETAILS



### WIRING ("+" & "GND")

Stranded wire: 0.2 - 1.5 mm<sup>2</sup>

Wire strip length: 6.0 - 10.0 mm

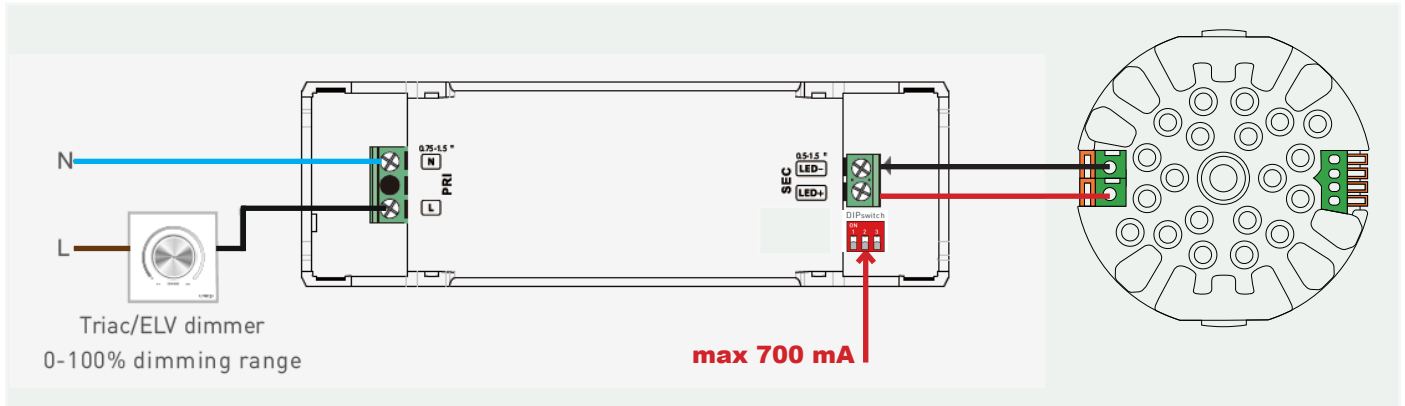


# DATASHEET

## SINGLE WHITE SPOT - EXTERNAL DRIVER PHASE DIMMING

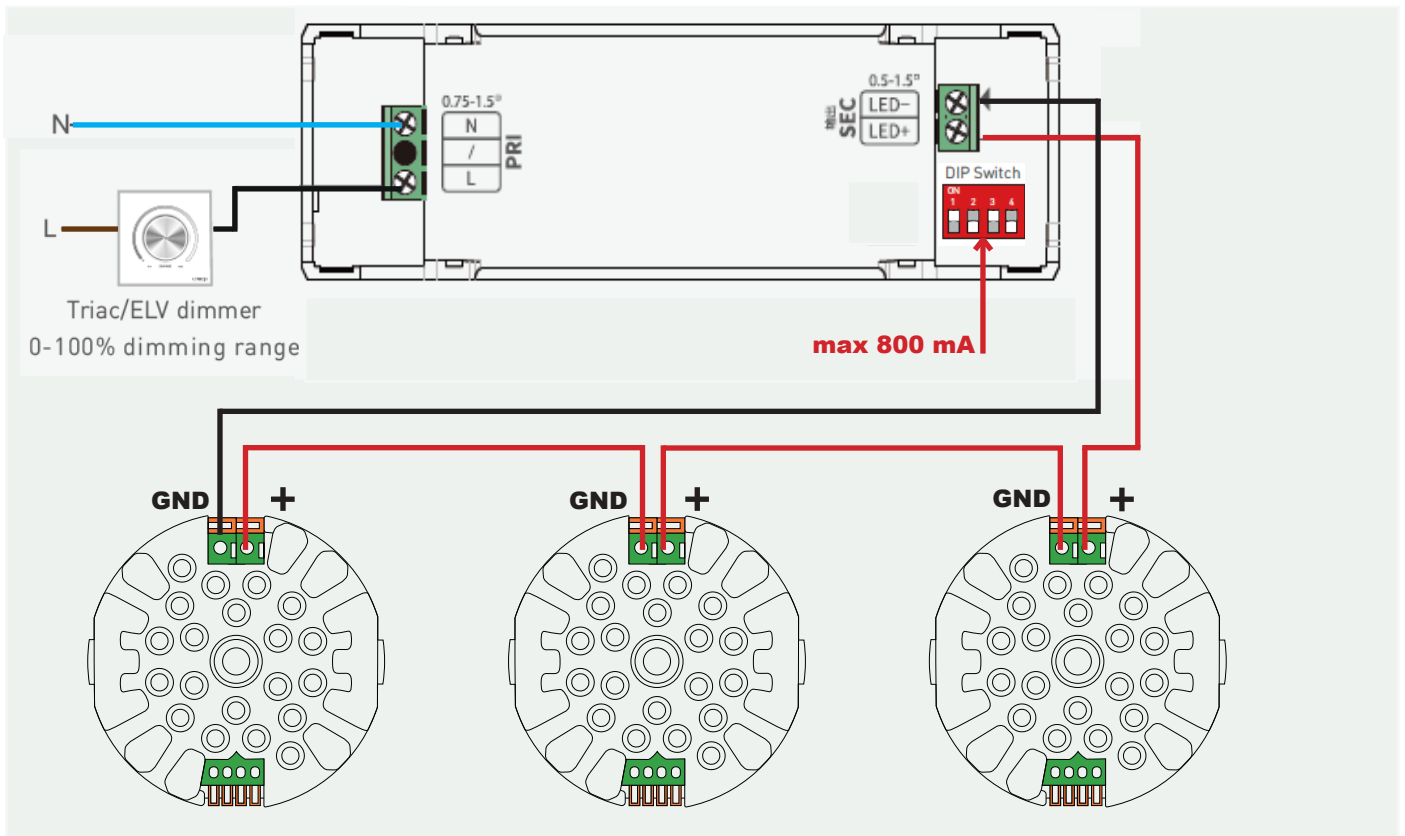
### External driver 9 WATT Phase Dimming 700mA - 1 SPOT (max 1 Spots in Total)

ART. NR. 99-09-601



### External driver 40 WATT Phase Dimming 800mA - 1 -3 SPOTS (max 3 Spots in Total)

ART. NR. 99-09-605





# DATASHEET

## SINGLE WHITE SPOT - EXTERNAL DRIVER PHASE DIMMING

---

<b>Phase Cut Dim Drivers</b>	<b>9 Watt</b>	<b>40 Watt</b>
Lenght	111mm	142mm
Width	35mm	40mm
Heigth	20mm	23mm
Power Factor@230V	+0,90	0,95
CC/CV	CC	CC
Dimming Signal	PWM-CC	PWM-CC
Control	TRIAC	TRIAC
Dim Range	0-100%	0-100%
Current	700mA	800mA
Amount Spots in Series	1	3
Input Wire Diameter	0.75-1.5 (20-16AWG)	0.75-1.5 (20-16AWG)
Input Wire Strip Length	4.5 - 5mm	5 - 6 mm
Output Wire Diameter	0.5-1.5 (20-16AWG)	0.5-1.5 (20-16AWG)
Input Wire Strip Length	4.5 - 5mm	5 - 6 mm



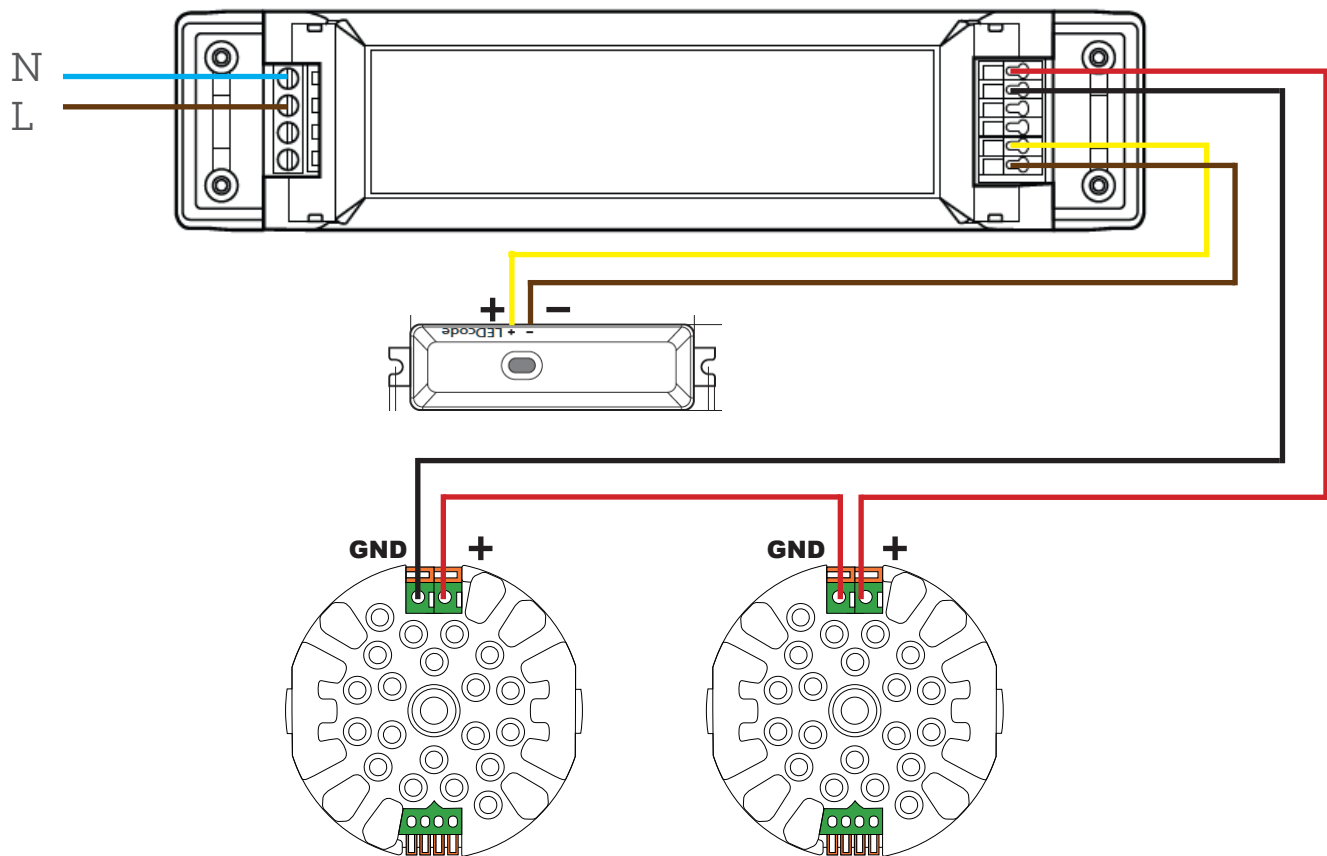
# DATASHEET

SINGLE WHITE SPOT - CASAMBI

External driver 20 WATT CASAMBI 825 mA 1-2 SPOTS (max 2 Spots in Total)

ART. NR. 99-09-004 (DRIVER)

ART. NR. 99-09-101 (CASAMBI EXTENSION)





# DATASHEET

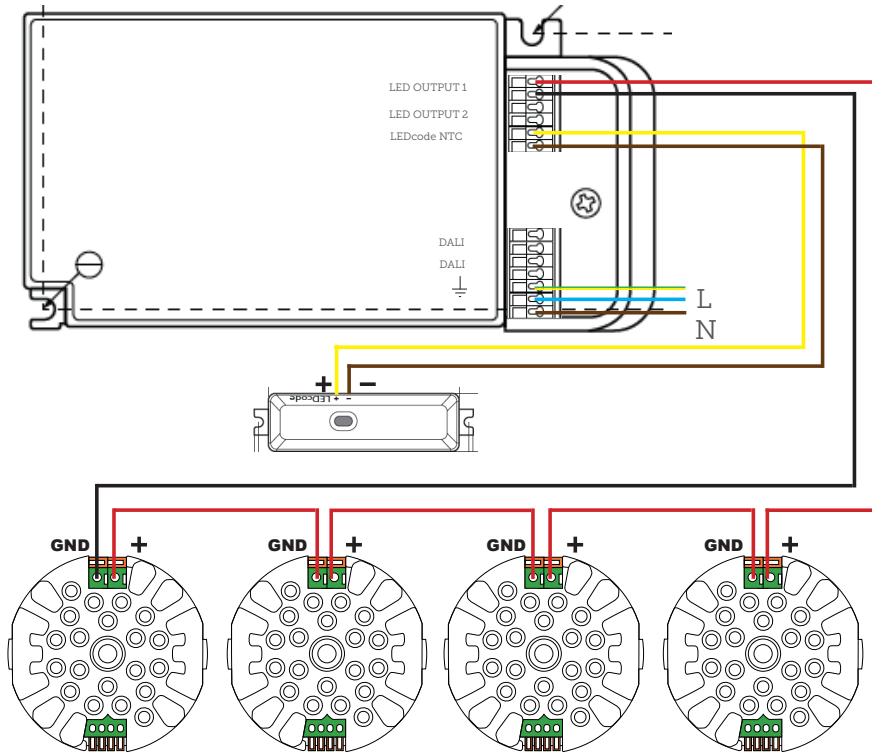
## SINGLE WHITE SPOT - CASAMBI

External driver 50 WATT CASAMBI 825 mA 1-4 SPOTS (max 4 Spots in Total)

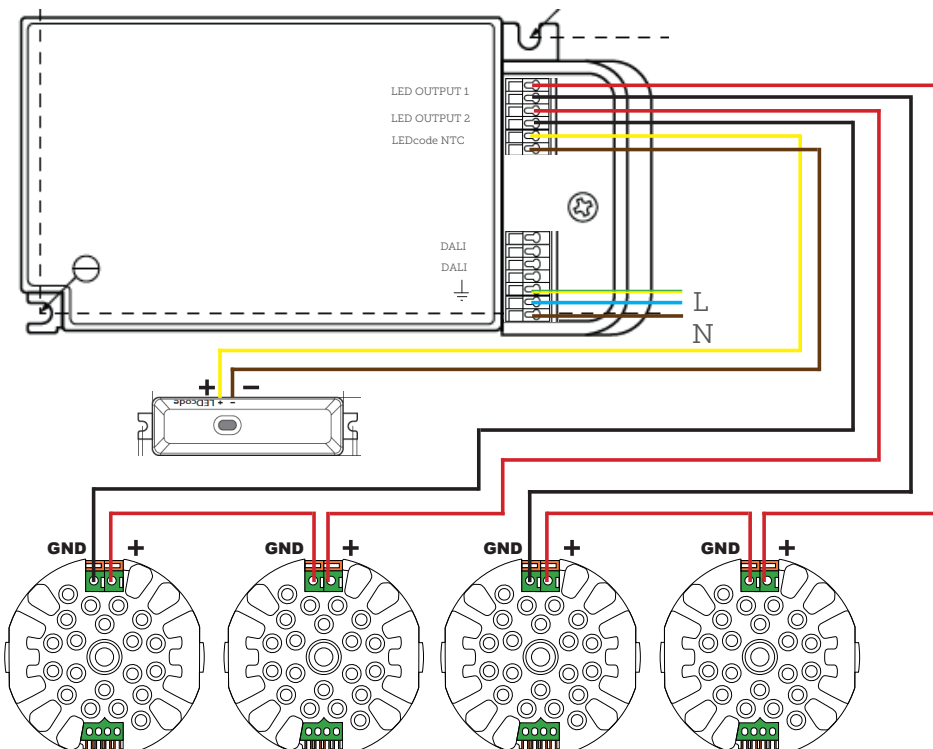
ART. NR. 99-09-012 (DRIVER)

ART. NR. 99-09-101 (CASAMBI EXTENSION)

Up to 4 Pin Spots in Series on One Channel (max 4 Spots in Total)



1-4 Pin Spots in Series divided over Two Channels (max 4 Spots in Total)



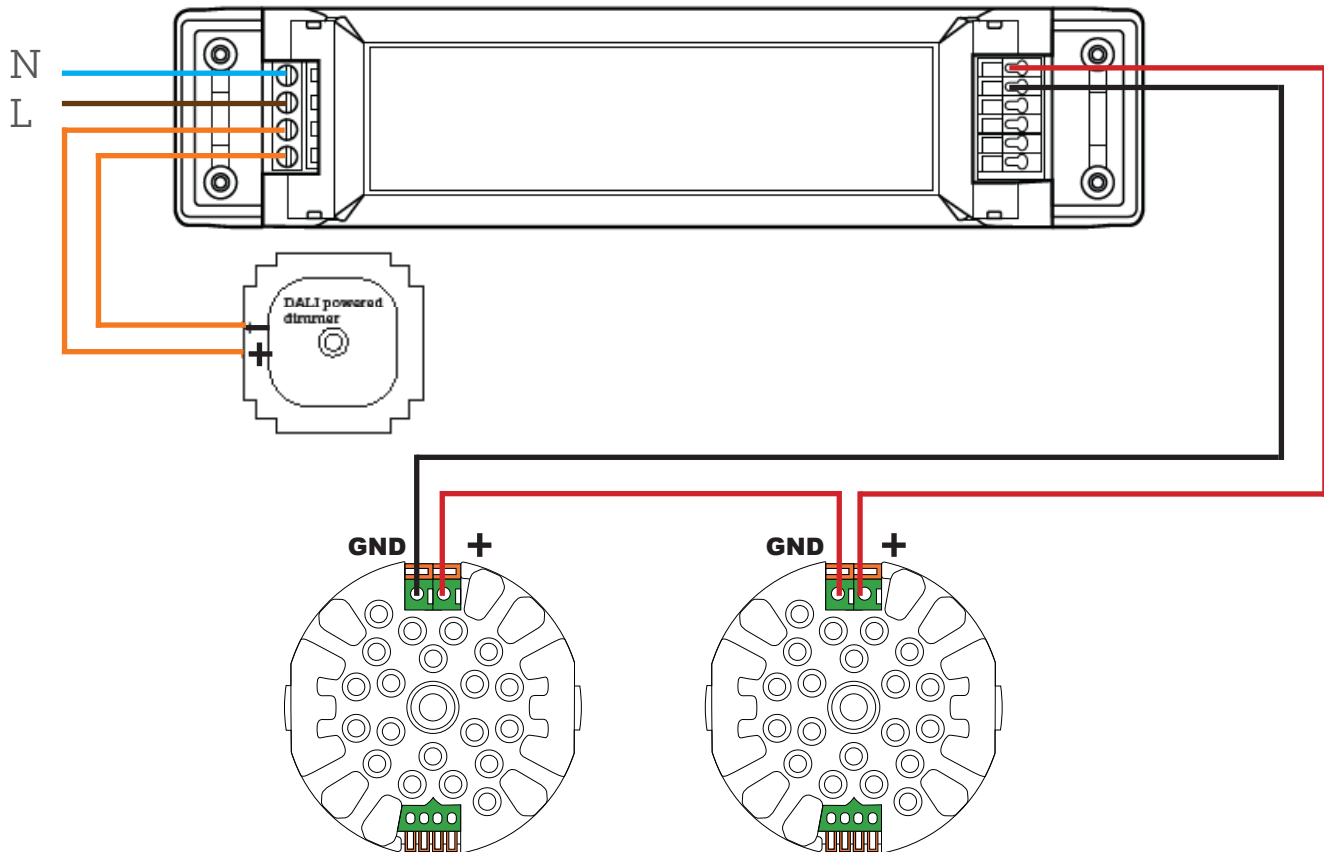


# DATASHEET

## SINGLE WHITE SPOT - DALI

External driver 20 WATT DALI 825 mA 1-2 SPOTS (max 2 Spots in Total)

ART. NR. 99-09-004





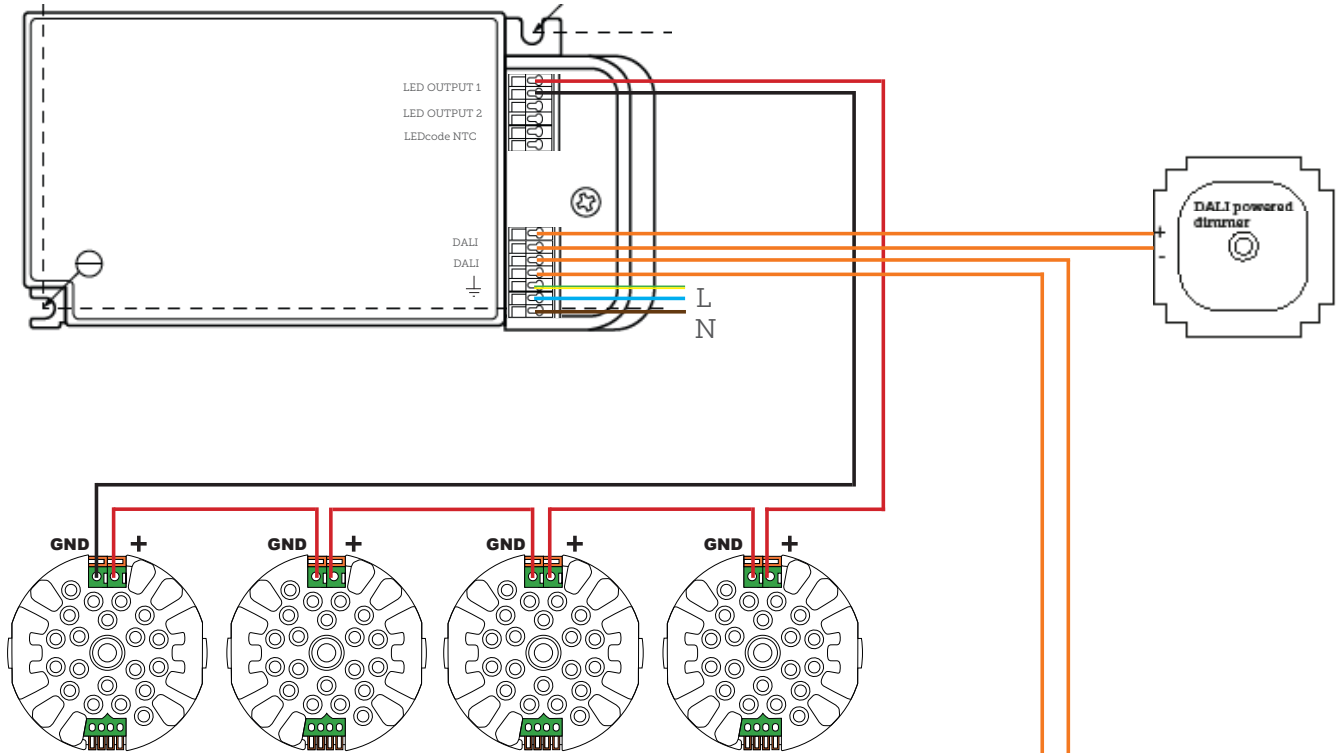
# DATASHEET

## SINGLE WHITE SPOT - DALI

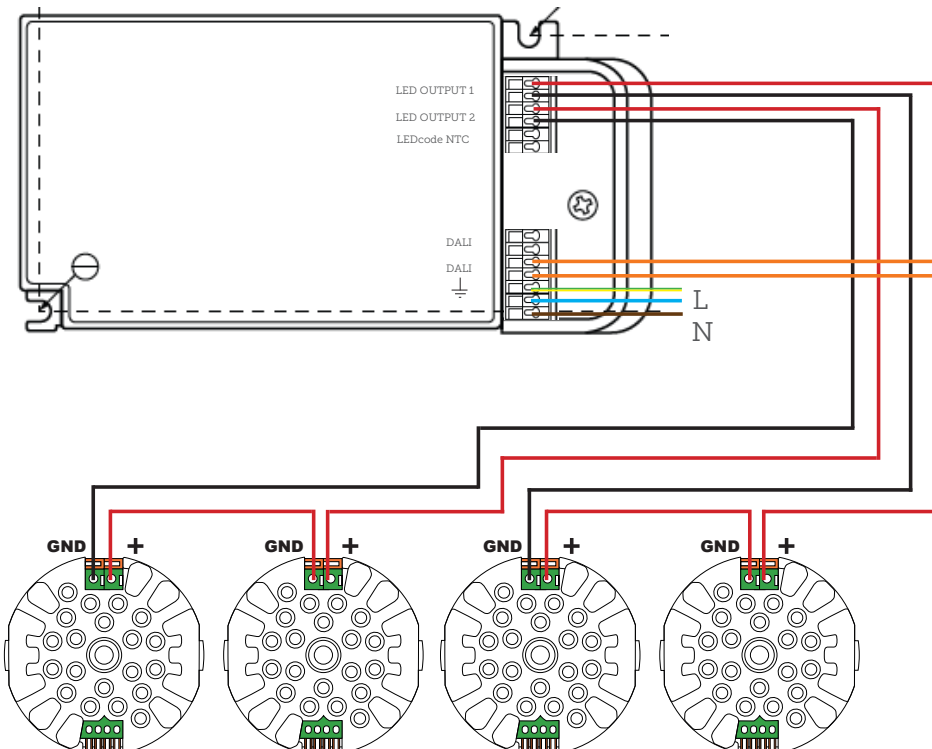
External driver 50 WATT DALI 825 mA 1-4 SPOTS (max 4 Spots in Total)

ART. NR. 99-09-012 (DRIVER)

Up to 4 Pin Spots in Series on One Channel (max 4 Spots in Total)



1-4 Pin Spots in Series divided over Two Channels (max 4 Spots in Total)





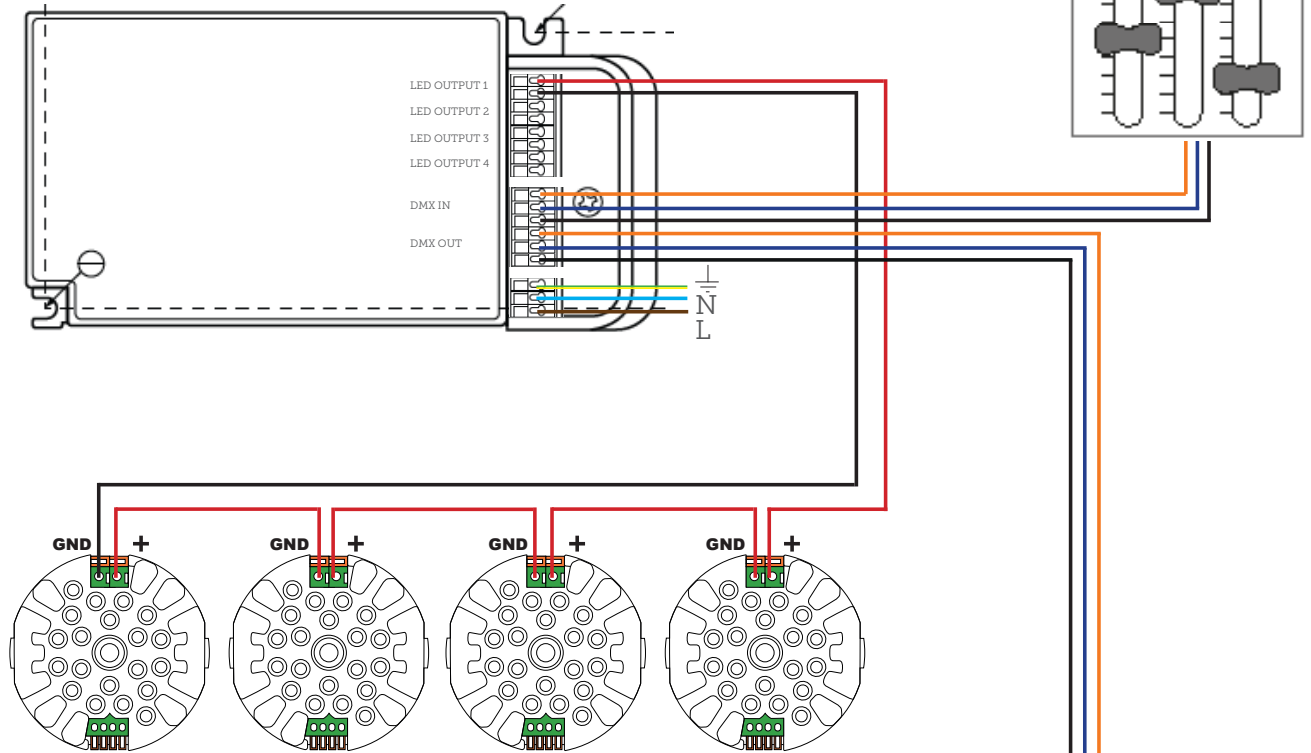
# DATASHEET

## SINGLE WHITE SPOT - DMX

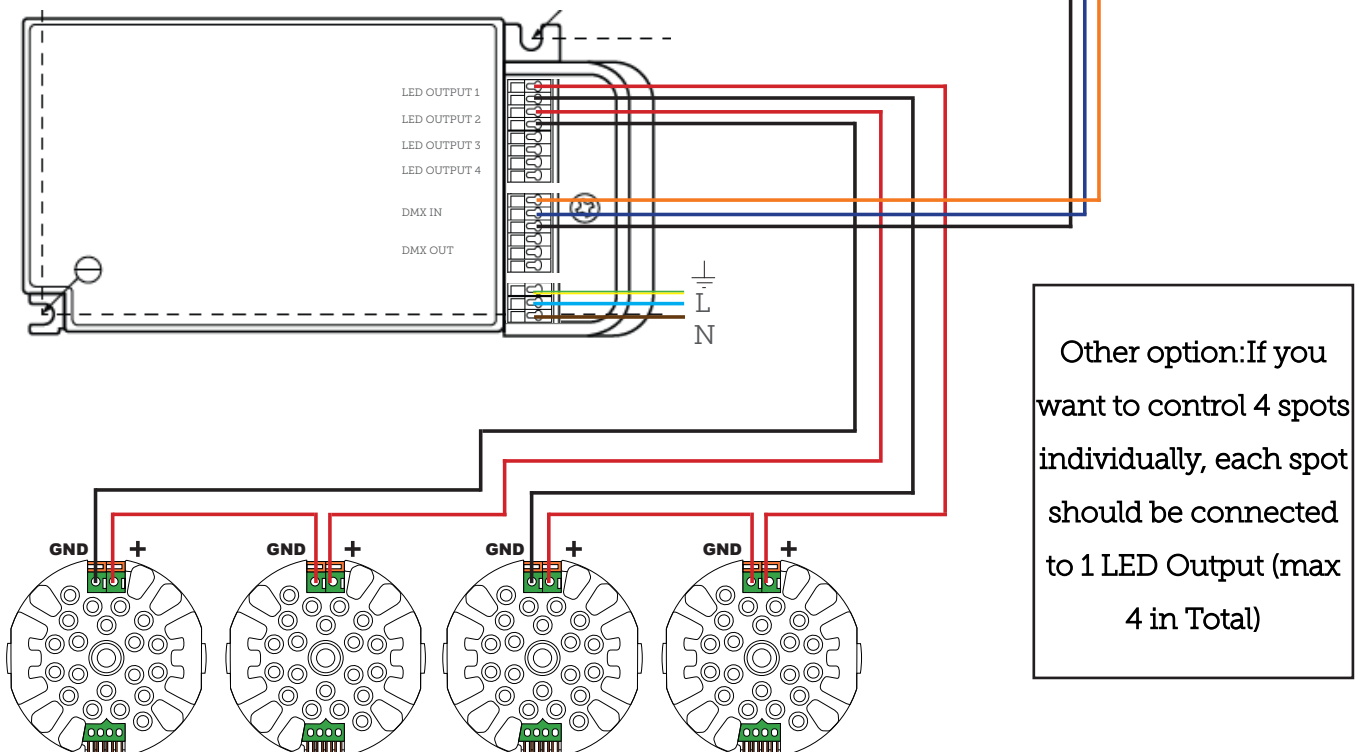
External driver 50 WATT DMX 825 mA 1-4 SPOTS (max 4 Spots in Total)

ART. NR. 99-09-025 (DRIVER)

Up to 4 Pin Spots in Series on One Channel (max 4 Spots in Total)



1-4 Pin Spots in Series divided over Two Channels (max 4 Spots in Total)





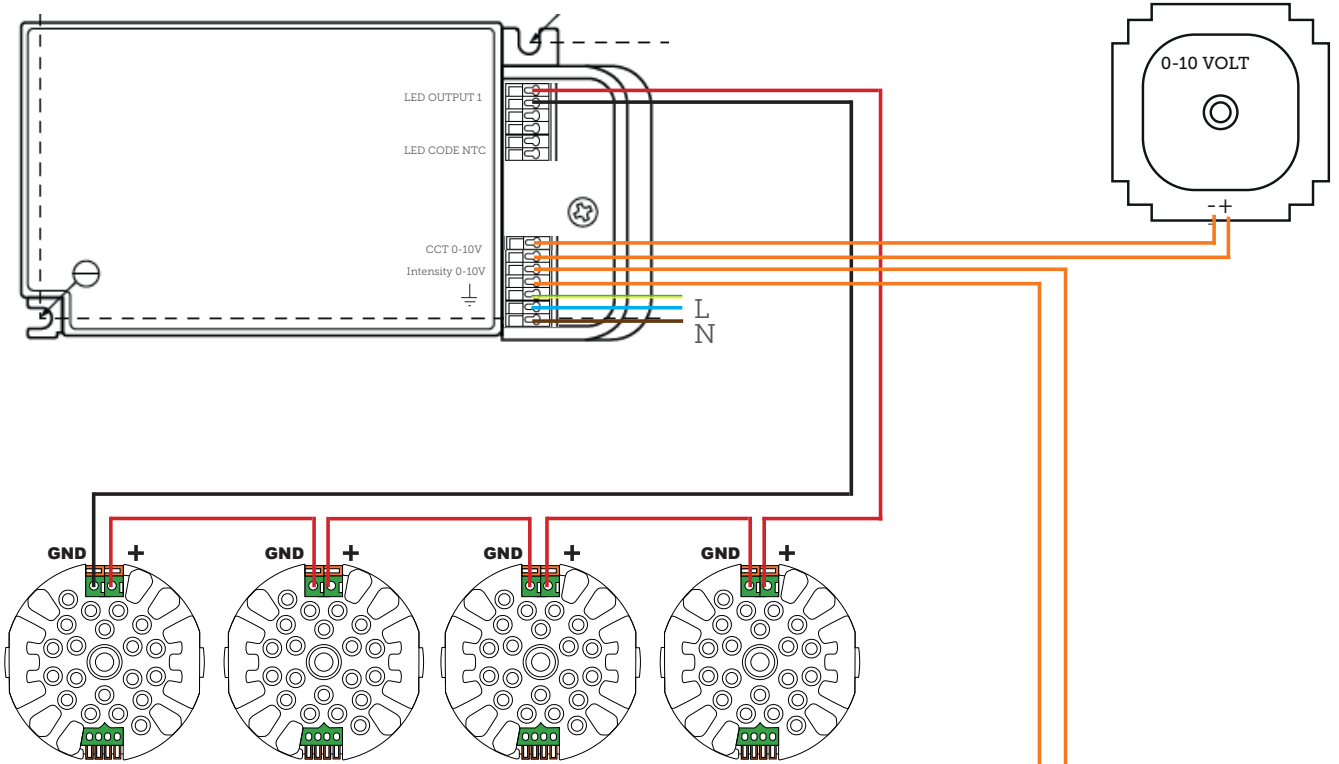
# DATASHEET

SINGLE WHITE SPOT - 0-10V

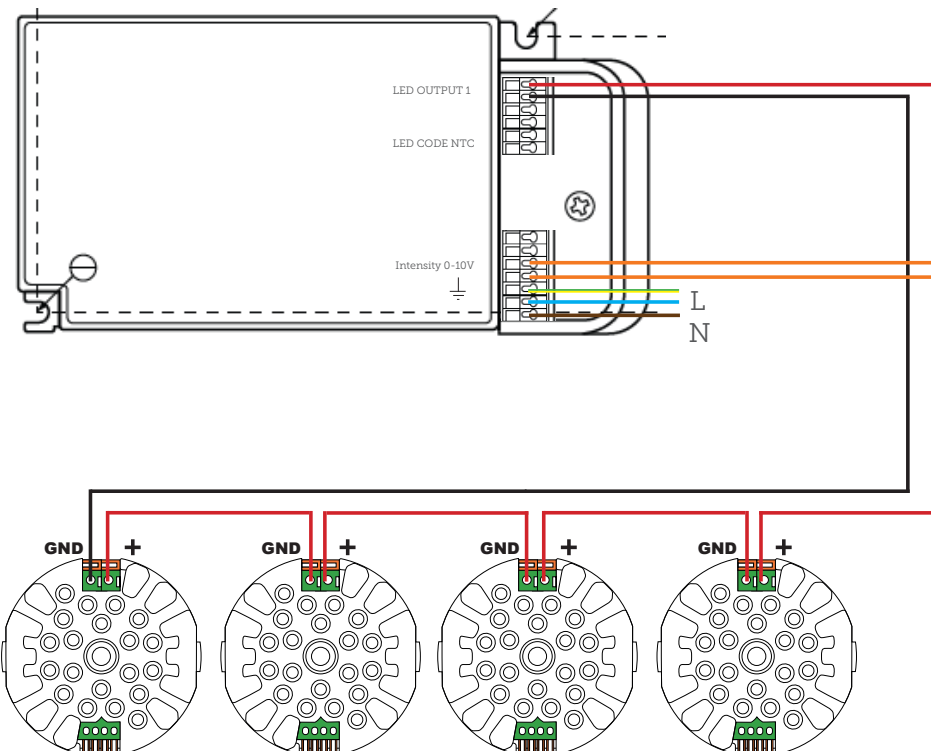
External driver 50 WATT 0-10V 825 mA 1-4 SPOTS (max 4 Spots in Total)

ART. NR. 99-09-024 (DRIVER)

Up to 4 Pin Spots in Series (max 4 Spots in Total)



1-4 Pin Spots in Series (max 4 Spots in Total)





# DATASHEET

SINGLE WHITE SPOT - CASAMBI - DALI - DMX - 0-10V

DRIVER OVERVIEW	DALI/CASAMBI	DALI/CASAMBI	DMX-RDM	0-10Volt
Max LED Output Power	20 Watt	50 Watt	50 Watt	50 Watt
Lenght	183mm	153mm	153mm	153mm
Width	41,3mm	41,3mm	41,3mm	41,3mm
Heigth	30mm	30,5mm	30,5mm	30,5mm
Power Factor@230V	+0,90	0,95	0,95	0,95
CC/CV	CC	CC	CC	CC
Dimming Signal	PWM-CC	PWM-CC	PWM-CC	PWM-CC
Control	DALI/CASAMBI	DALI/CASAMBI	DMX-RDM	0-10Volt
Dim Range	0,1-100%	0,1-100%	0,1-100%	0,1-100%
Current	825mA	825mA	825mA	825mA
Amount Spots in Series	1-2	1-4	1-4	1-4
Input Wire Diameter	0.5-3.0 (20-12AWG)	0.5-1.5 (20-16AWG)	0.5-1.5 (20-16AWG)	0.5-1.5 (20-16AWG)
Input Wire Strip Length	9mm	9mm	9mm	9mm
Output Wire Diameter	0.5-1.5 (20-16AWG)	0.5-1.5 (20-16AWG)	0.5-1.5 (20-16AWG)	0.5-1.5 (20-16AWG)
Input Wire Strip Length	9mm	9mm	9mm	9mm