



# INSTRUCTION MANUAL

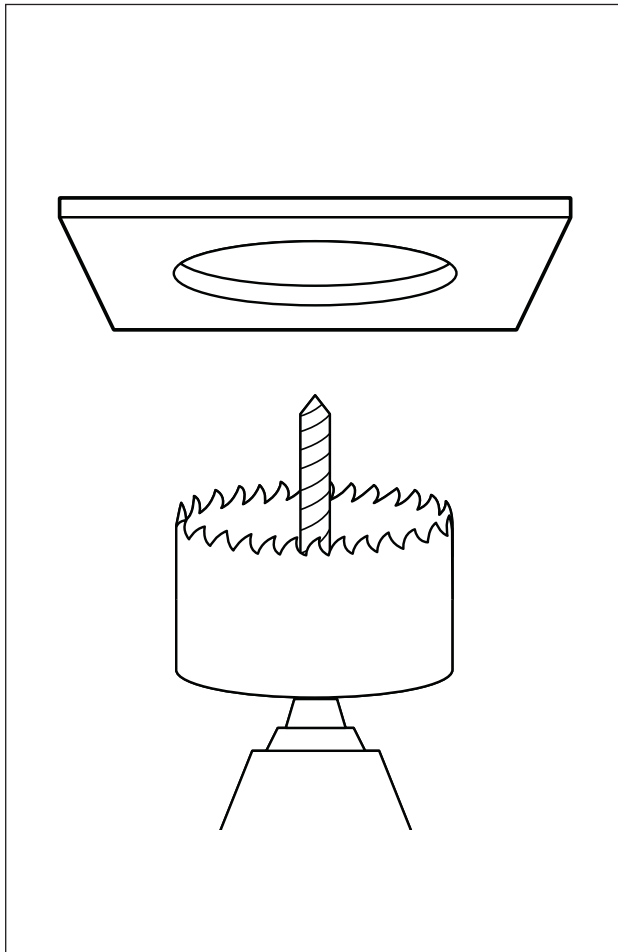
MOUNTING CONSTRUCTION GLARELESS PIN SPOT - PLASTER RING

## STEP 1

- Drill a hole in the ceiling with a hole saw of  $\varnothing 88 - 94\text{mm}$ .

### NECESSITIES

- Hole saw -  $\varnothing 88 - 94\text{mm}$
- Drill

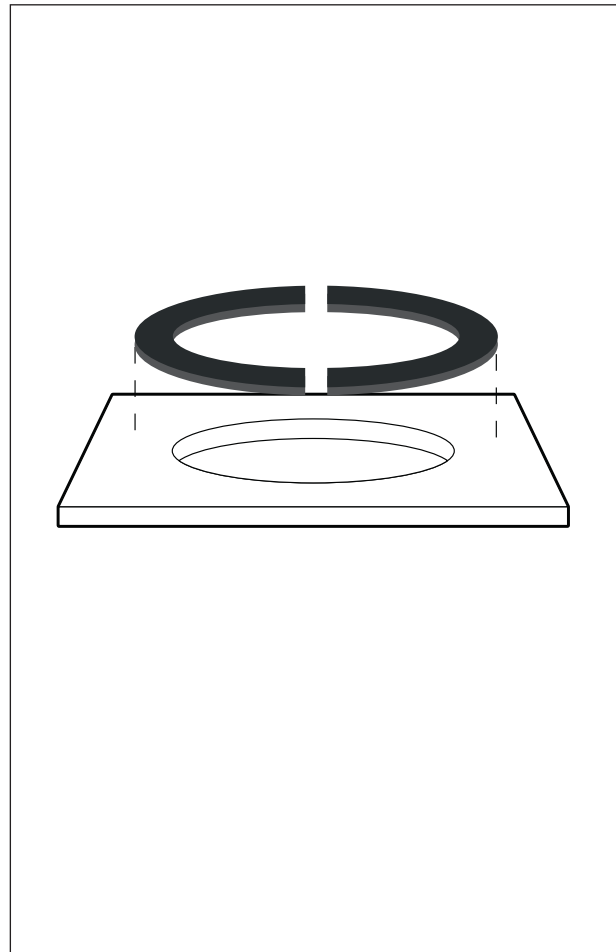


## STEP 2

- Attach the wooden ring with the adhesive strip around the drill hole above the ceiling.

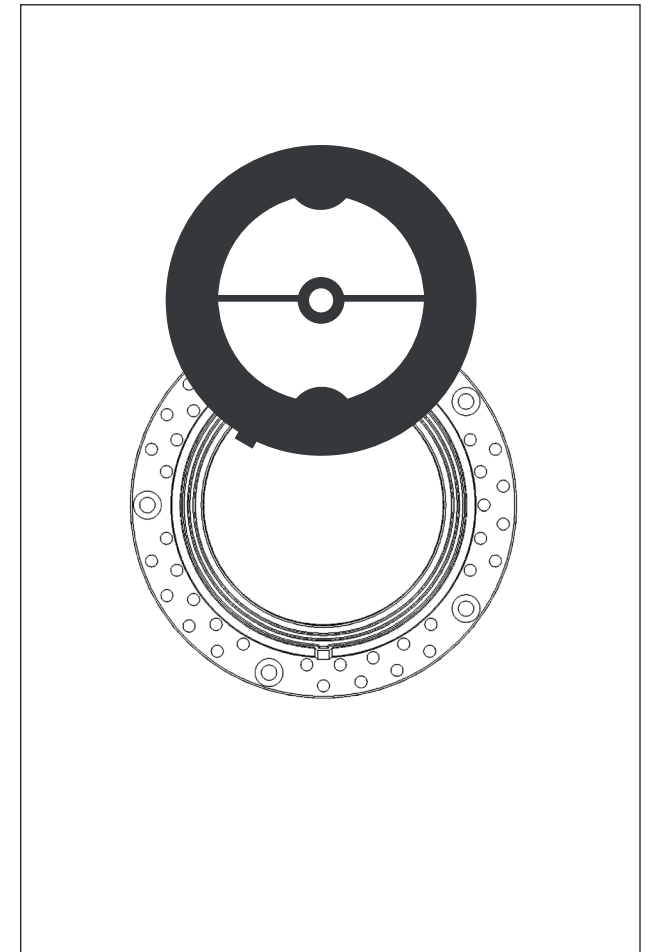
### NECESSITIES

- Two half wooden rings



## STEP 3

- Carefully remove inner black protection cover by pushing at the edge of the cover to separate it from the plaster ring.





# INSTRUCTION MANUAL

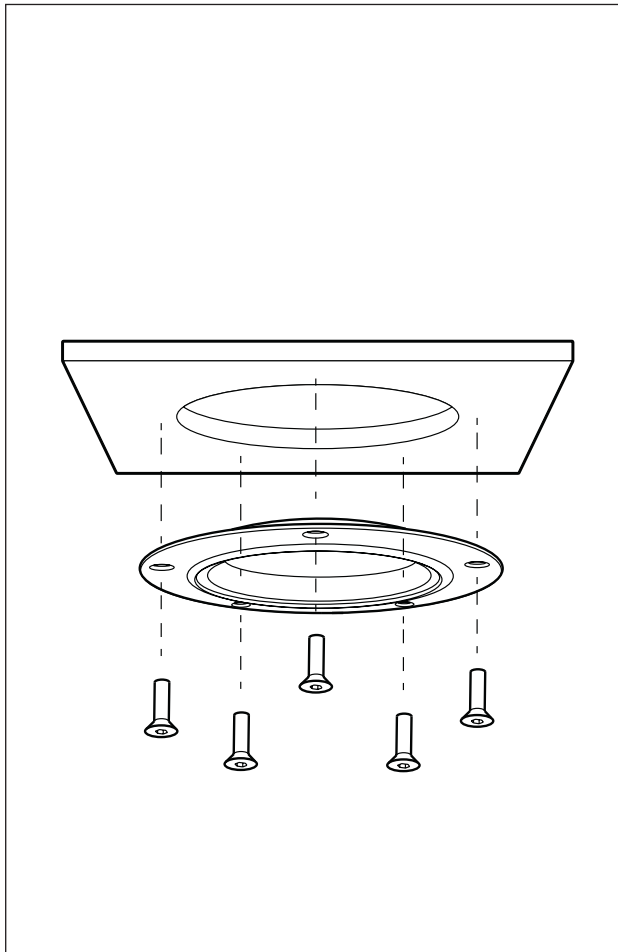
MOUNTING CONSTRUCTION GLARELESS PIN SPOT - PLASTER RING

## STEP 4

- Place the plaster ring without protection cover in the drill hole and hold the wooden ring in position while screwing the plaster ring tight with drywall screws.

### NECESSITIES

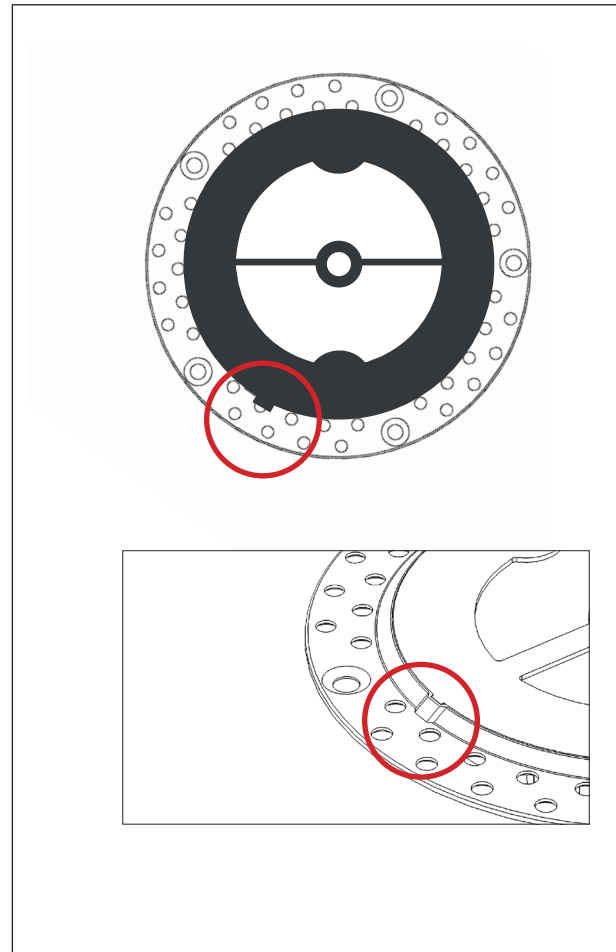
- 5 times recessed drywall screws
- Screwdriver



## STEP 5

- Carefully reposition inner black protection cover by firmly pushing it back in to the plaster ring.

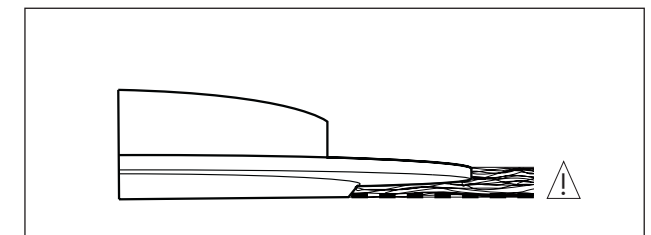
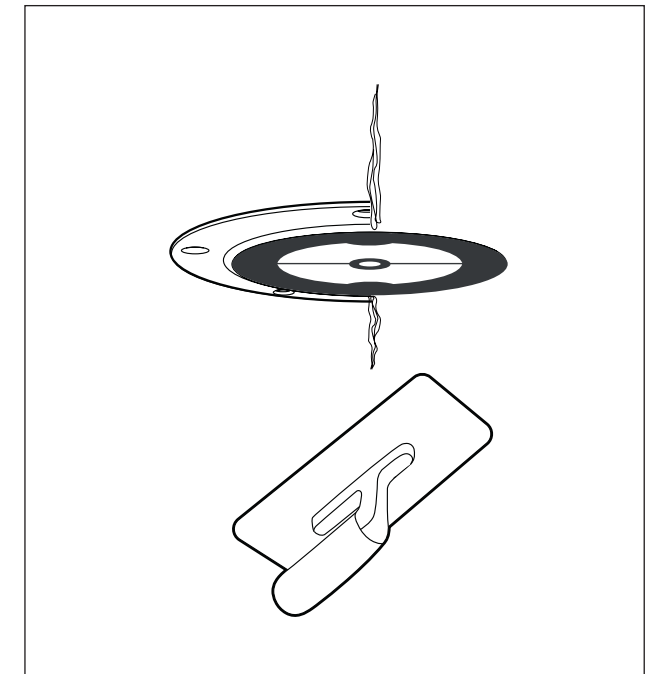
CAUTION: ALIGN THE PROTRUSION EVENLY WITH THE OPENING IN PLASTER RING



## STEP 6

- Plaster the ceiling (thickness 3,5mm)

CAUTION: SMOOTH THE PLASTER EVENLY WITH THE BLACK PROTECTION COVER





# INSTRUCTION MANUAL

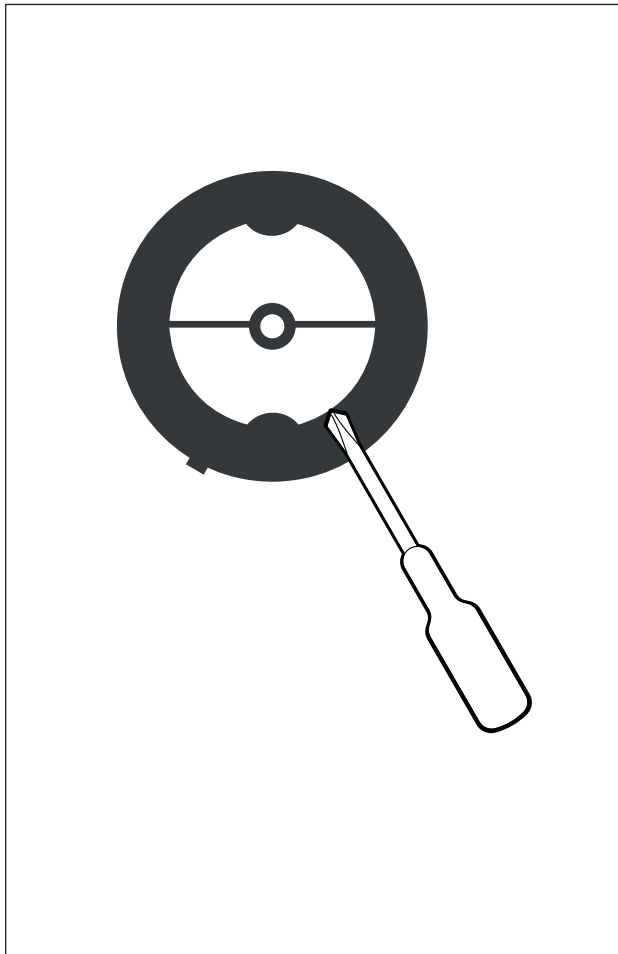
MOUNTING CONSTRUCTION GLARELESS PIN SPOT - PLASTER RING

## STEP 7

-After the plastering is complete. Pierce the hole in the center of the protection cover with a screwdriver and carefully pry it out of the plaster ring without damaging the plaster.

### NECESSITIES

- Screwdriver

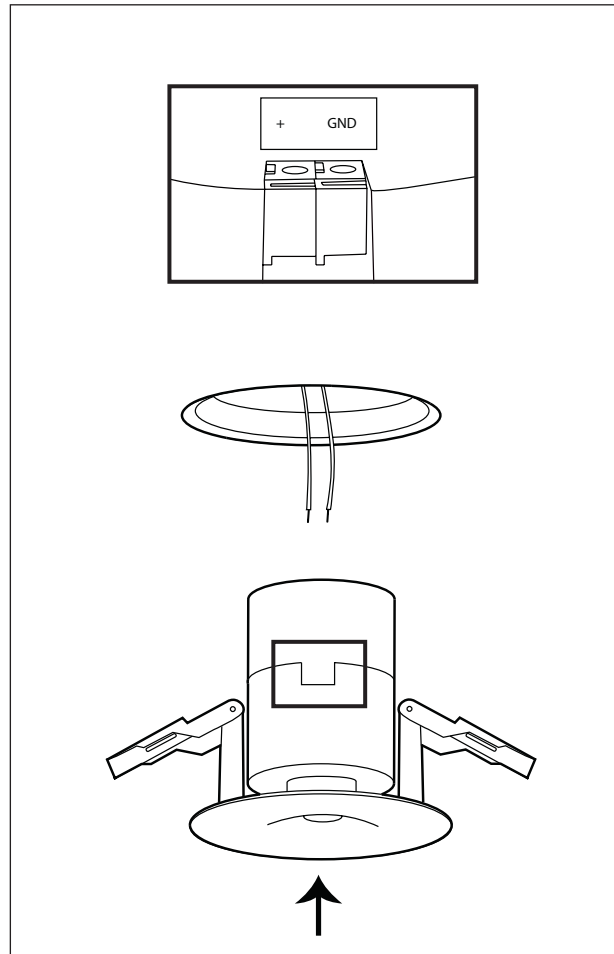


## STEP 8

-Connect the wires into the pin spot following the datasheet.  
-Carefully press the spot front into the plastering

### NECESSITIES

- Clean hands



## STEP 9

- To disassemble the spot, use a flat screwdriver to pry the spot up in the open lip of the plastering

### NECESSITIES

- Flat screwdriver

