



DATASHEET

DUAL WHITE SPOT WITH EXTERNAL DRIVER

CONTENT

PAGE

MEASUREMENTS AND SPECIFICATIONS	2
EXTERNAL DRIVER 20 WATT	3
-CASAMBI	4
-DALI	6
EXTERNAL DRIVER 50 WATT	7
-CASAMBI	7
-DALI	9
-DMX	10
-0-10 VOLT	12

LIGHT ENGINE ORDER NUMBER CONFIGURATOR

Article number: ---

└───┬───┘
└───┬───┘
└───┬───┘
Light engine
Beam angle
Driver

LIGHT ENGINE	BEAM ANGLE	DRIVER	CONTROL OPTIONS
DW = 2000K -4000K DUAL WHITE	20°	E=EXTERNAL DRIVER	DALI, CASAMBI, 0-10V, DMX
WD = 2000K - 4000K WARM DIMMING	40°	CAS = CASAMBI	
		DMX =DMX	



DATASHEET

DUAL WHITE SPOT WITH EXTERNAL DRIVER

1. MEASUREMENTS

ITEM	DIAMETER	HEIGHT
Drill diameter of Spot	Ø 78 mm	
Spot engine SW	Ø 55,4 mm	H 70 mm
Spot engine DW/RGB + W	Ø 55,4 mm	H 86 mm
Surface mounted pin spot	Ø 110 mm	H 120 mm
Flange size (spring clips)	Ø 90 mm	H 1,5mm
Drill diameter of Plaster Ring	Ø 88-94 mm	
Plaster Ring	Ø 124 mm	H 12 mm (Plaster thickness 3,5 mm)

2. SPECIFICATIONS

LIGHT SOURCE SPECIFICATIONS	DESCRIPTION
Light composition	Dual White
Lumen output 20° Beam Angle	300 Lumen
Lumen output 40° Beam Angle	362 Lumen
Colour temperature	2000K - 4000K
Colour rendering index	CRI 94-98
Lifespan	70% after 50.000H
Luminaire types	Ceiling build in Fixed and Adjustable, Surface mounted Fixed and Adjustable
Dimensions	See technical drawings
Flange material	Aluminium (Powder coated - Black, White, Customized)
Heat sink material	Casting aluminium (Anodised)
Control options	Casambi, DMX, DALI, 0-10V (External Drivers)
External driver	Current: 950mA, Power: 12W max
Protection marking compliance	IP20, CE
Warranty	2 years
Produced in	The Netherlands
Specials	Customized versions

3. MAXIMUM REMOTE MOUNTING DISTANCE OF LED LOAD

AWG 20 (0.52 mm²) - 14 m

AWG 19 (0.65 mm²) - 18 m

AWG 18 (0.82 mm²) - 22 m

AWG 17 (1.04 mm²) - 28 m

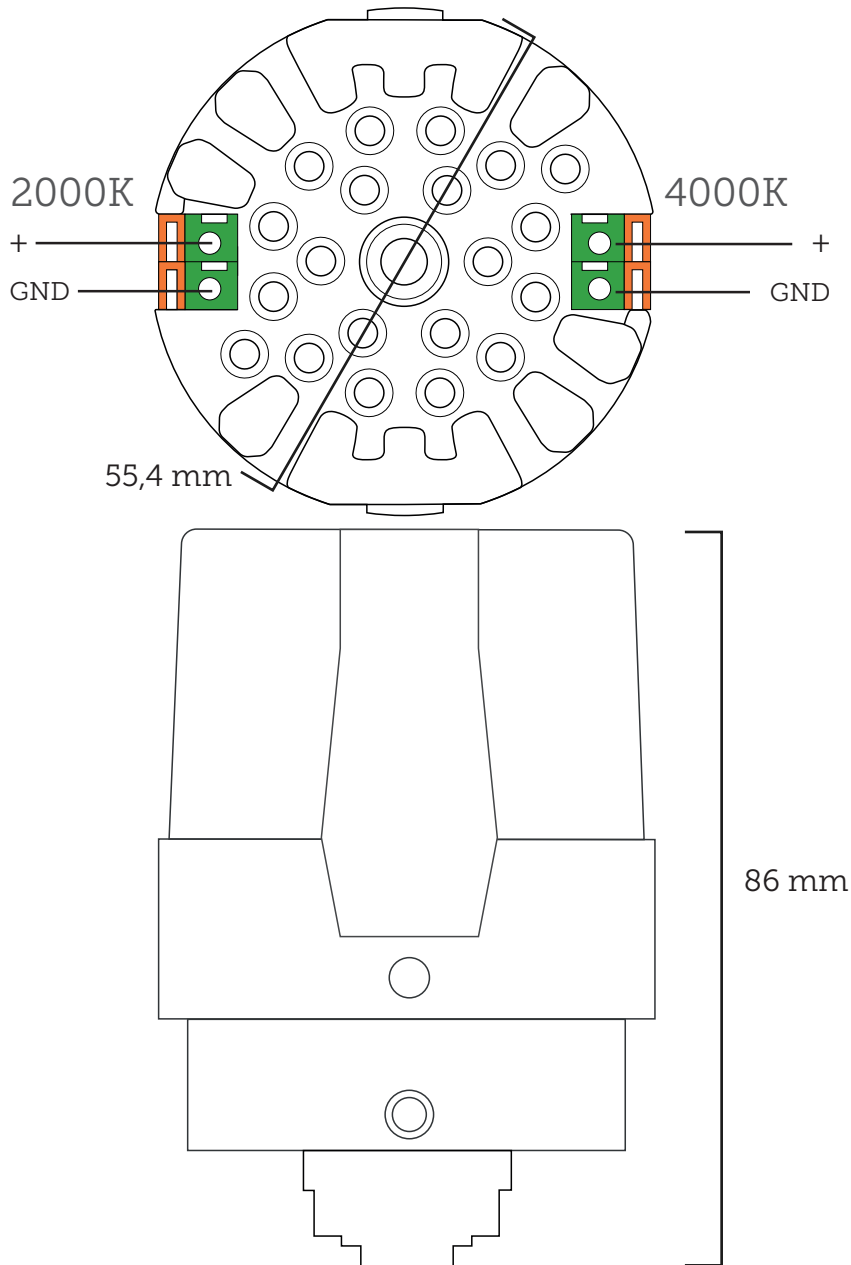
AWG 16 (1.31 mm²) - 36 m



DATASHEET

DUAL WHITE SPOT WITH EXTERNAL DRIVER

4. MECHANICAL DETAILS



5. WIRING ("+" & "GND")

Stranded wire: 0.2 - 1.5 mm²

Wire strip length: 6.0 - 10.0 mm



DATASHEET

DUAL WHITE SPOT - EXTERNAL DRIVER 20 WATT CASAMBI

1. PRODUCT OFFERING

External driver 20 WATT CASAMBI (ONLY AVAILABLE FOR WARM DIMMING SPOT)

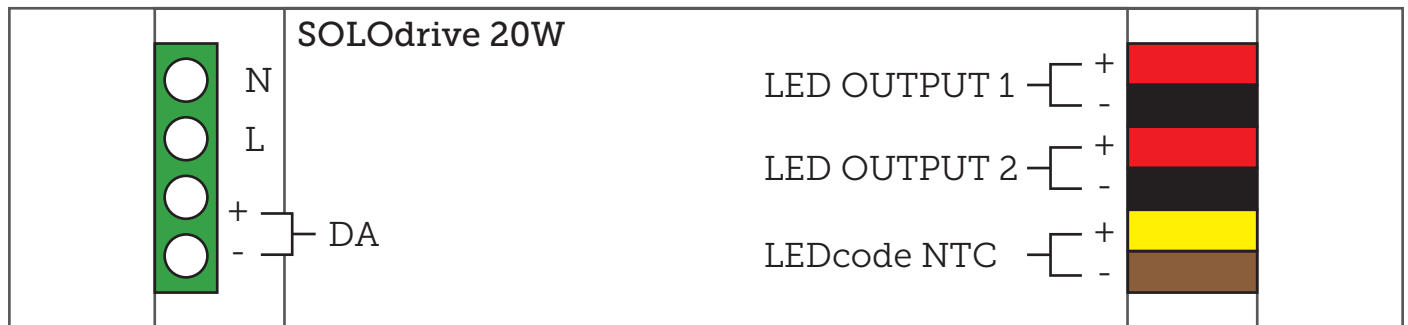
ART. NR. 99-09-004

2. EXTERNAL DRIVER CASAMBI 20 WATT MECHANICAL DETAILS

Length (L): Typical: 153.1 mm, maximum: 153.6 mm

Width (W): Typical: 76.2 mm, maximum: 76.7 mm

Height (H): Typical: 30.1 mm, maximum: 30.6 mm



3. WIRING INPUT

Solid wire: 0.2 - 3.0 mm²

Stranded wire: 0.2 - 3.0 mm²

Wire strip length: 9.0 mm

4. WIRING OUTPUT

Stranded wire: 0.5 - 1.5 mm²

Wire strip length: 9.0 mm

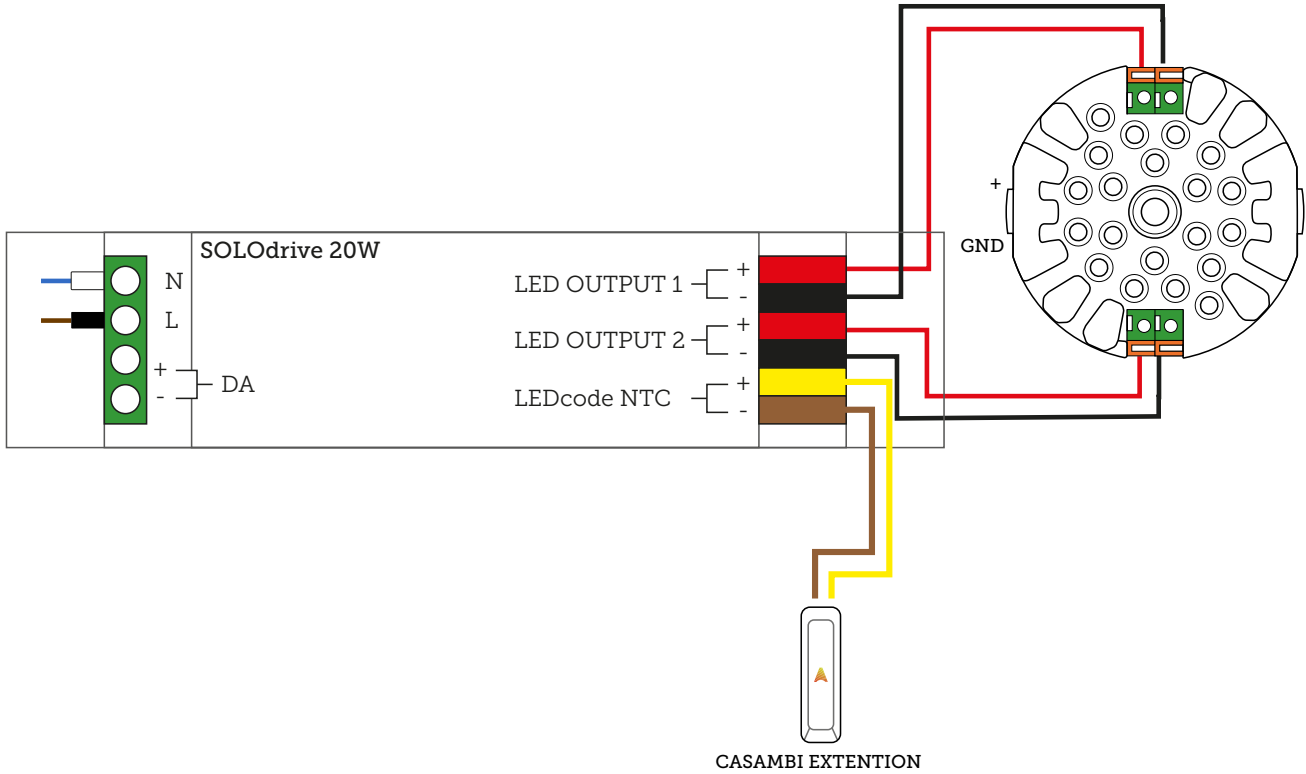




DATASHEET

DUAL WHITE SPOT - EXTERNAL DRIVER 20 WATT CASAMBI

5. CONNECTING THE SPOT TO THE DRIVER





DATASHEET

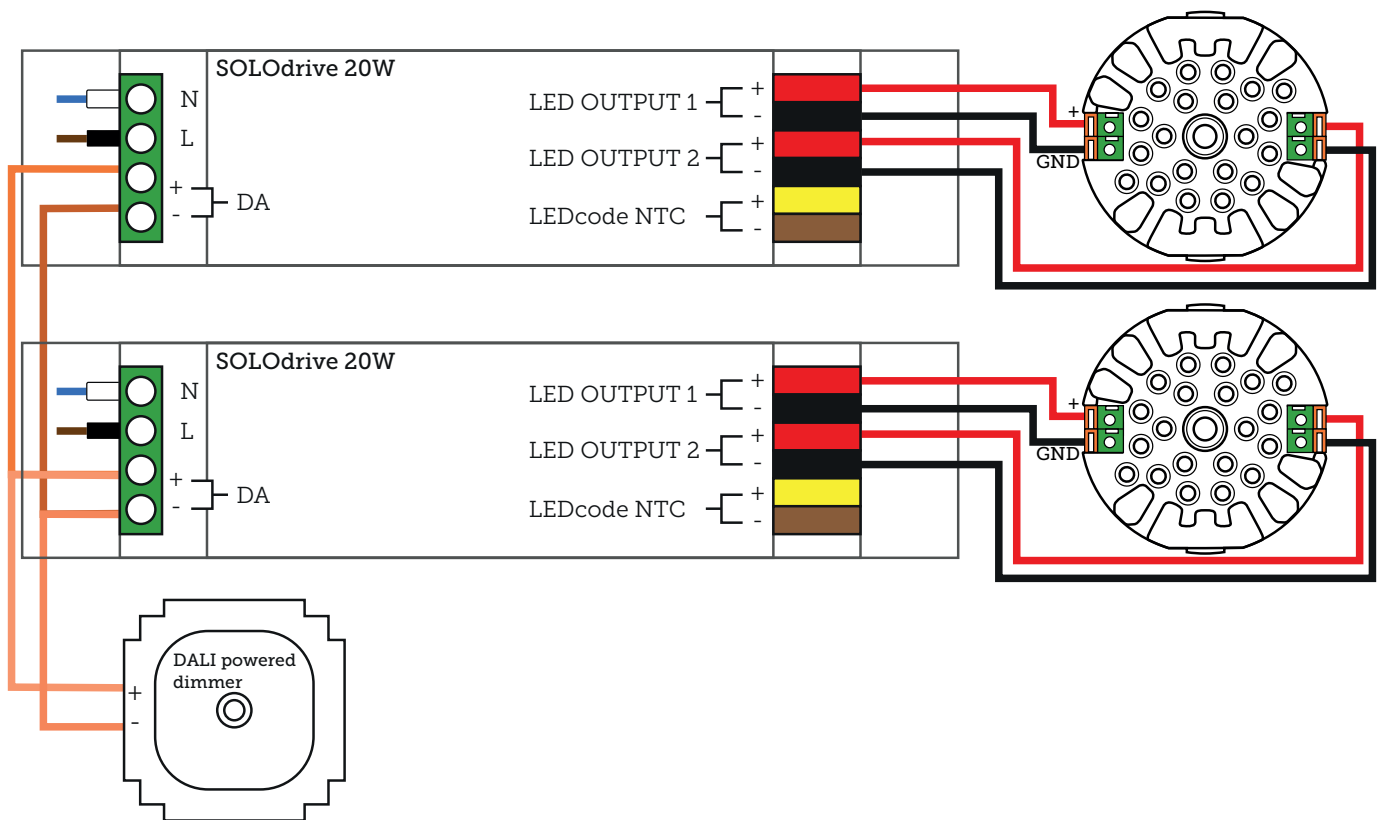
DUAL WHITE SPOT - EXTERNAL DRIVER 20 WATT DALI

1. PRODUCT OFFERING (ONLY AVAILABLE FOR WARM DIMMING SPOT)

External driver 20 WATT DALI

ART. NR. 99-09-004

2. CONNECTING THE SPOT IN SERIES





1. PRODUCT OFFERING

External driver 50 WATT CASAMBI (AVAILABLE FOR WARM DIMMING & TUNABLE WHITE SPOT)

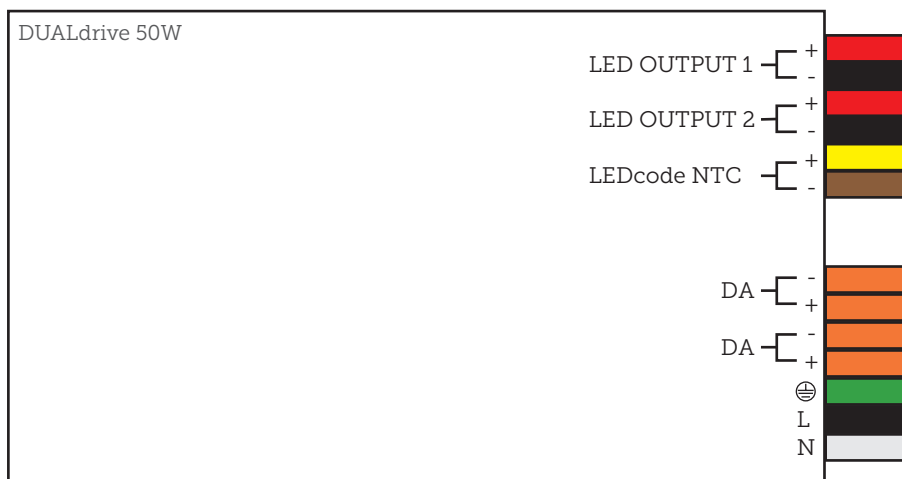
ART. NR. 99-09-012

2. EXTERNAL DRIVER CASAMBI 50 WATT MECHANICAL DETAILS

Length (L): Typical: 153.1 mm / 6.03 in, maximum: 153.6 mm / 6.05 in

Width (W): Typical: 76.2 mm / 3.00 in, maximum: 76.7 mm / 3.02 in

Height (H): Typical: 30.1 mm / 1.19 in, maximum: 30.6 mm / 1.20 in



3. WIRING INPUT

Solid wire: 0.5 - 1.5 mm²

Stranded wire: 0.5 - 1.5 mm²

Wire strip length: 9.0 mm

4. WIRING OUTPUT

Stranded wire: 0.5 - 1.5 mm²

Wire strip length: 9.0 mm





DATASHEET

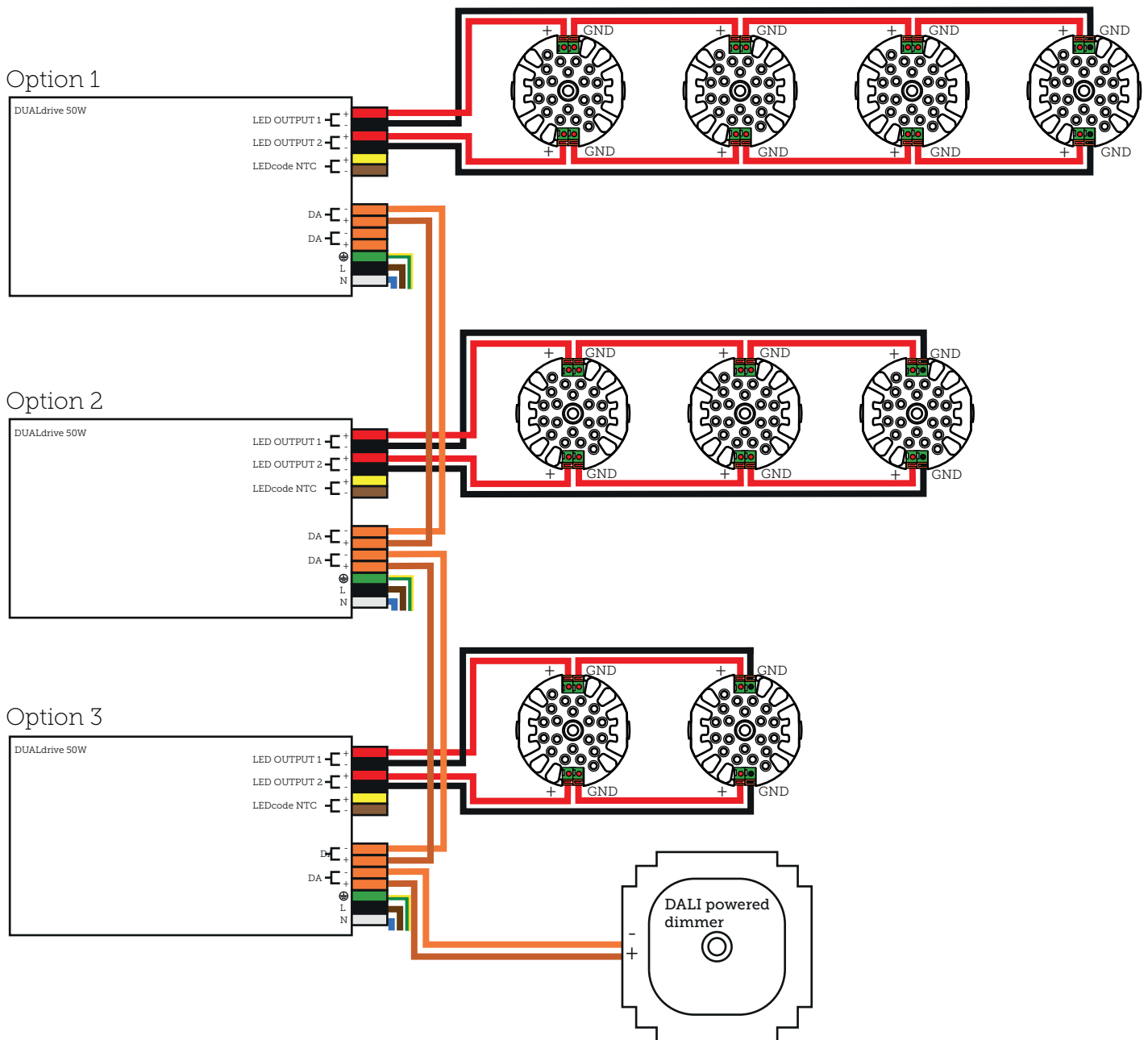
DUAL WHITE SPOT - EXTERNAL DRIVER 50 WATT DALI

1. PRODUCT OFFERING

External driver 50 WATT DALI (AVAILABLE FOR WARM DIMMING & TUNABLE WHITE SPOT)

ART. NR. 99-09-012

2. CONNECTING THE SPOT IN SERIES





DATASHEET

DUAL WHITE SPOT - EXTERNAL DRIVER 50 WATT DMX

1. PRODUCT OFFERING

EXTERNAL DRIVER 50 WATT DMX (ONLY AVAILABLE FOR TUNABLE WHITE SPOT)

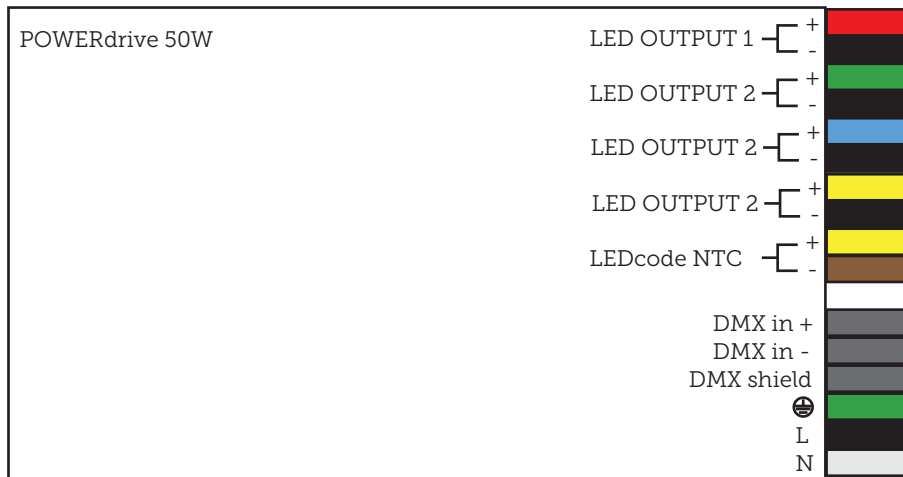
ART. NR. 99-09-021

2. EXTERNAL DRIVER CASAMBI 50 WATT MECHANICAL DETAILS

Length (L): Typical: 153.1 mm, maximum: 153.6 mm

Width (W): Typical: 76.2 mm, maximum: 76.7 mm

Height (H): Typical: 30.1 mm, maximum: 30.6 mm



3. WIRING INPUT

Solid wire: 0.5 - 1.5 mm²

Stranded wire: 0.5 - 1.5 mm²

Wire strip length: 9.0 mm

4. WIRING OUTPUT

Stranded wire: 0.5 - 1.5 mm²

Wire strip length: 9.0 mm

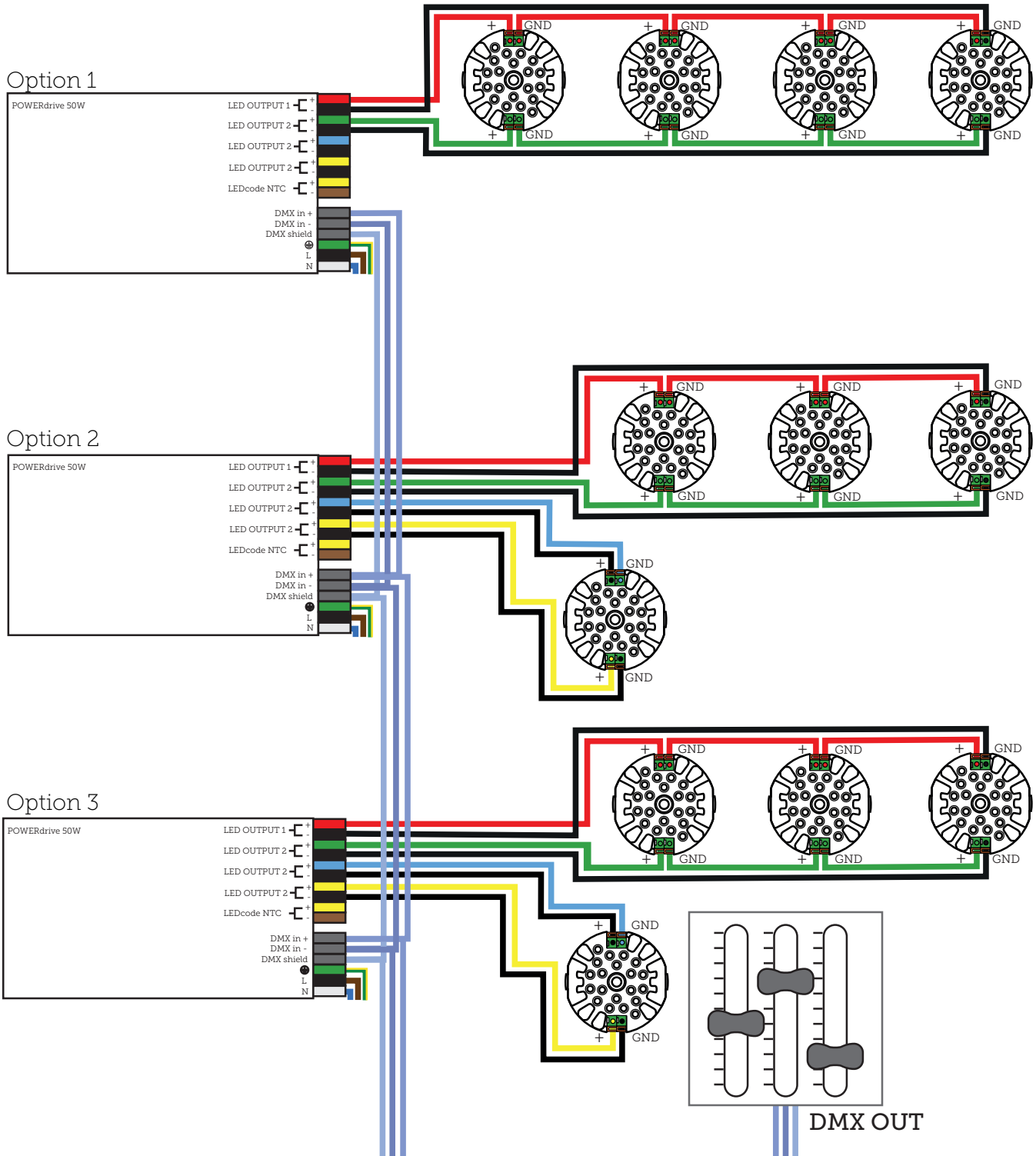




DATASHEET

DUAL WHITE SPOT - EXTERNAL DRIVER 50 WATT DMX

5. CONNECTING THE SPOT IN SERIES





DATASHEET

DUAL WHITE SPOT - EXTERNAL DRIVER 0 - 10 VOLT

1. PRODUCT OFFERING

EXTERNAL DRIVER 0 - 10 VOLT (ONLY AVAILABLE FOR WARM DIMMING SPOT)

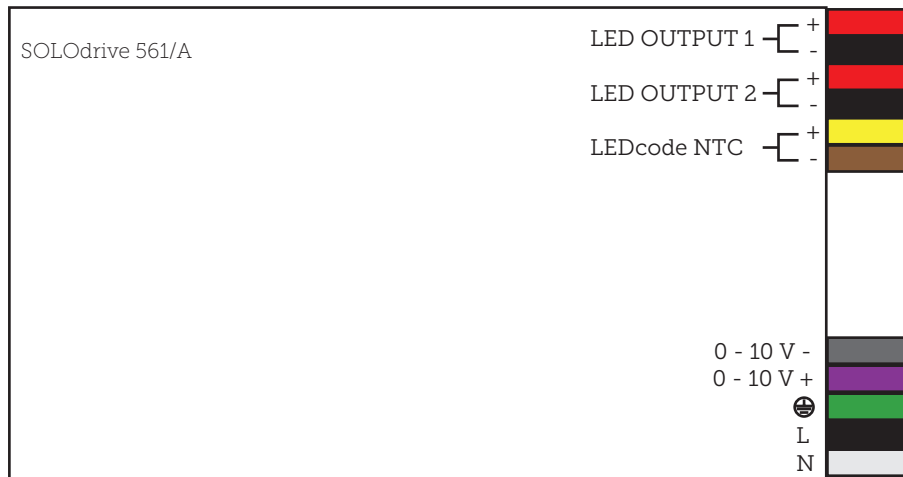
ART. NR. 99-09-013

2. EXTERNAL DRIVER 0 - 10 VOLT MECHANICAL DETAILS

Length (L): Typical: 153.1 mm, maximum: 153.6 mm

Width (W): Typical: 76.2 mm, maximum: 76.7 mm

Height (H): Typical: 30.1 mm, maximum: 30.6 mm



3. WIRING INPUT

Solid wire: 0.5 - 1.5 mm²

Stranded wire: 0.5 - 1.5 mm²

Wire strip length: 9.0 mm

4. WIRING OUTPUT

Stranded wire: 0.5 - 1.5 mm²

Wire strip length: 9.0 mm



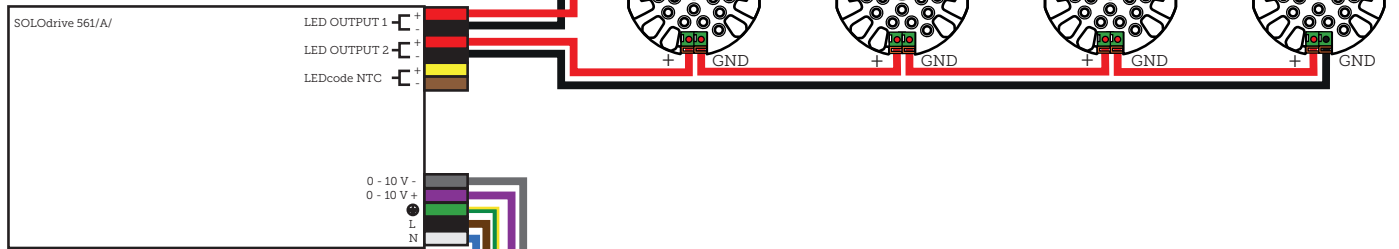


DATASHEET

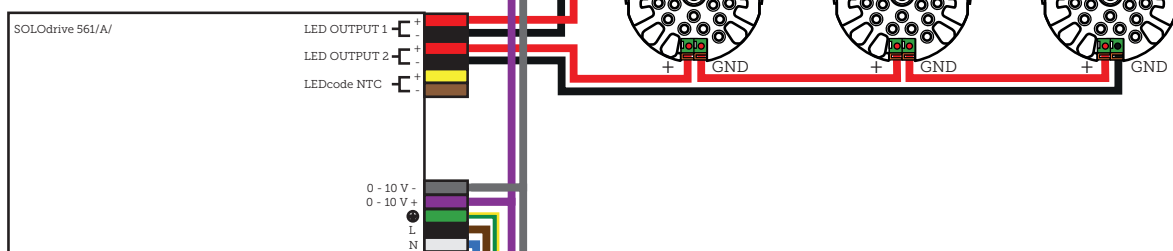
DUAL WHITE SPOT - EXTERNAL DRIVER 0 - 10 VOLT

5. CONNECTING THE SPOT IN SERIES

Option 1



Option 2



Option 3

