

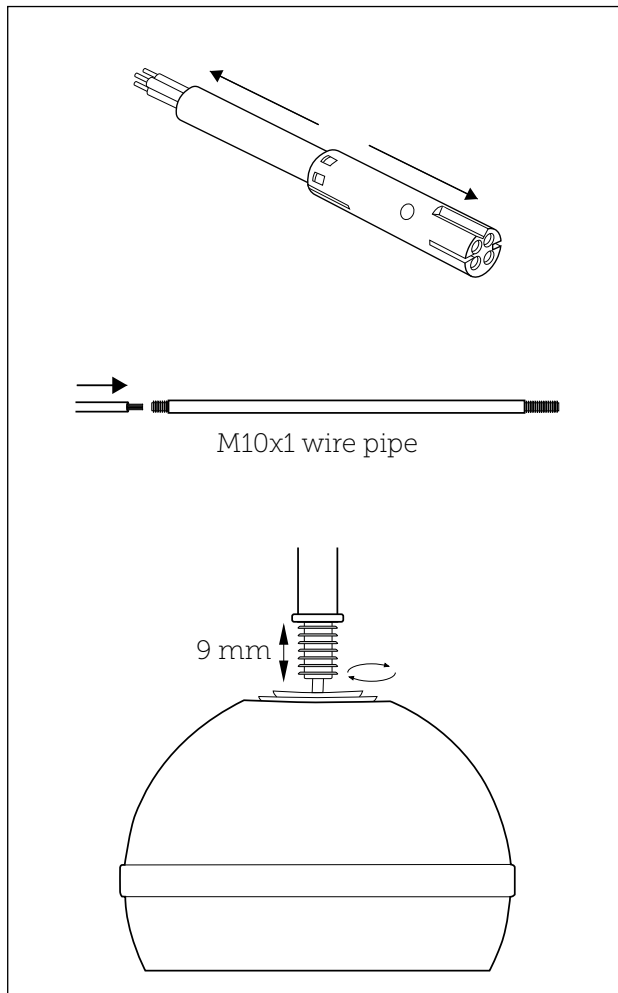


LUMINAIRE INTEGRATION

MOUNTING CONSTRUCTION FOR INTEGRATION LED-SPHERE IN LUMINAIRE WITH M10 INNER TUBE CONNECTION

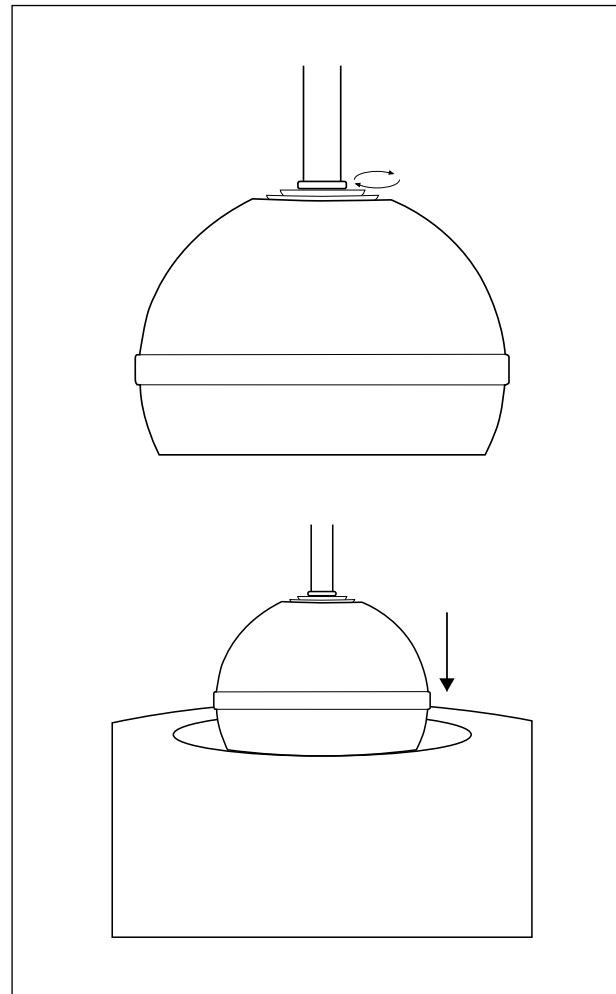
STEP 1

- Disconnect the plug of the cable and feed the wire through the M10 wire pipe.
- Remove the cover of the LED-Sphere.
- Screw the M10x1 wire pipe 9mm into the LED-sphere.

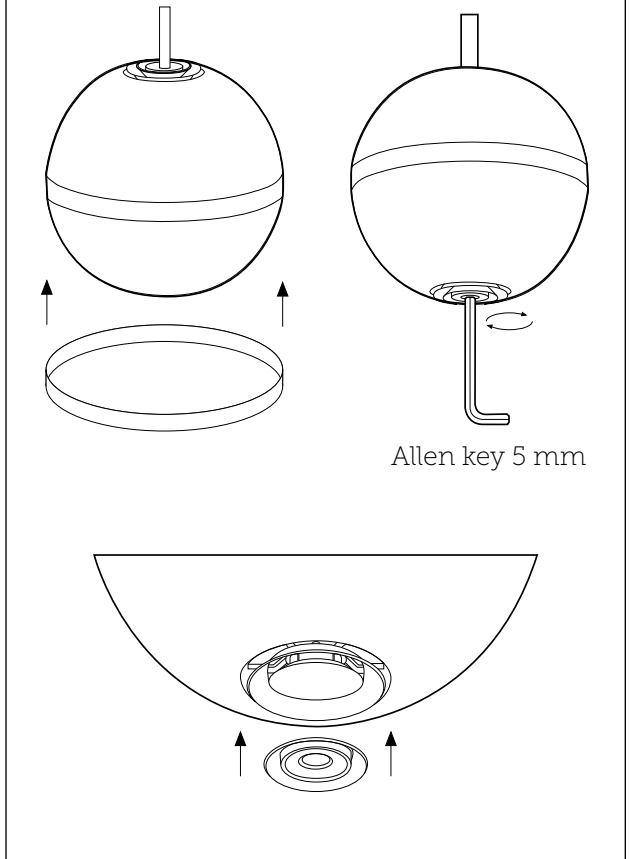


STEP 2

- Carefully tighten the nut. Insert the LED-Sphere into the luminaire using a twisting motion.



OPTIONAL ADDITION



- If the opening of the fixture is exactly 14cm, it is difficult to integrate the LED sphere.
- Remove the two halves and center ring by loosening the screw at the bottom of the sphere.
- After integration into the luminaire, screw the bulb back on in the same way.



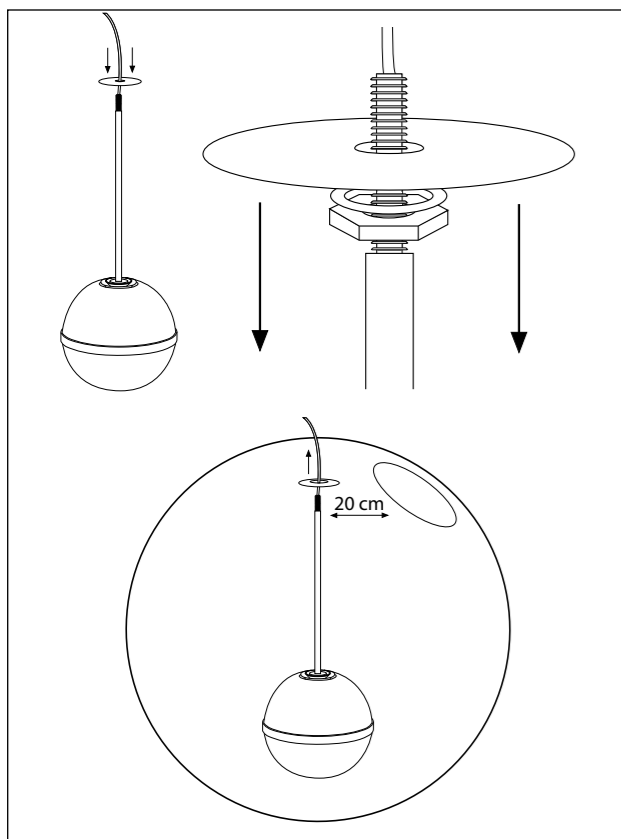
LUMINAIRE INTEGRATION

MOUNTING CONSTRUCTION FOR INTEGRATION LED-SPHERE IN LUMINAIRE WITH M10 INNER TUBE CONNECTION

STEP 3

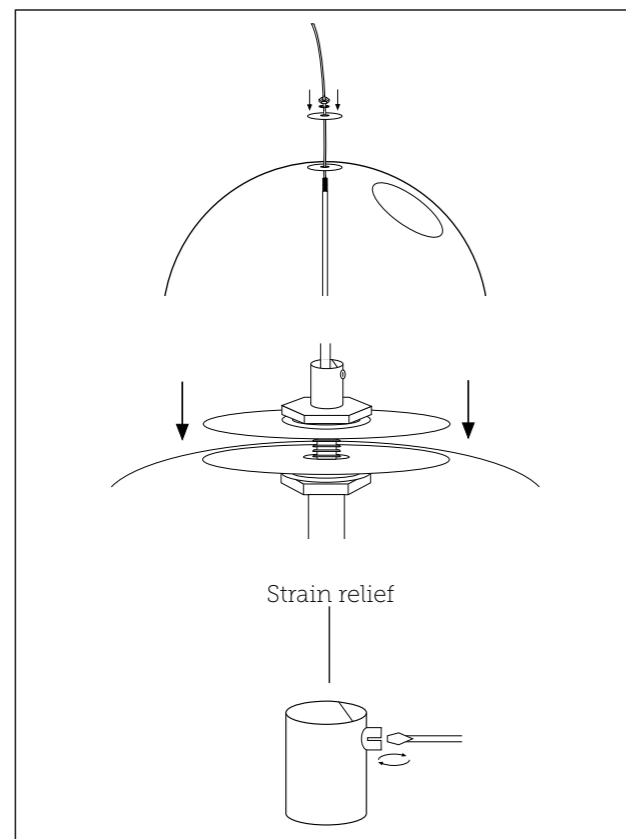
- Place a nut, a small ring and one of the two larger metal rings over the wire.
- Then bring the wire from the LED-sphere to the outside, with a distance of approximately 20 centimeters from the hole.

Note: when the LED-Sphere is carrying the luminaire, make sure the maximum weight of the luminaire is 5 kg.



STEP 4

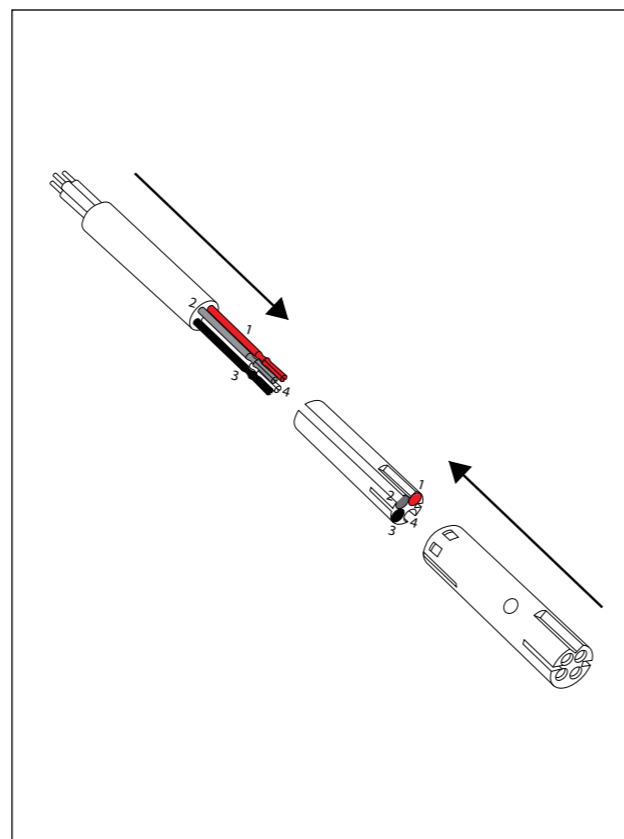
- Place the second metal ring, the smaller ring and a nut around the wiring on the outside of the luminaire. Carefully tighten the nut.
- Put the strain relief on the wiring and tighten with a twisting motion. When the strain relief is secure, tighten with a flat head screw driver.



STEP 5

- Reconnect the plug with the cable.

Note: ensure the wires remain in their numbered order. The matching numbers can be found in each plug slot. Once secured, fold the plug back and push it until you hear a click.



COMPATIBILITY TABLE

MOUNTING CONSTRUCTION FOR LED-SPHERE

DRIVERS AND ENGINES

	EXTERNAL DRIVER				INTERNAL DRIVER	
	CASAMBI	DMX	DALI	0-10 VOLT	CASAMBI	DMX
GLARELESS SPOT SINGLE WHITE	X	X	X	X		
GLARELESS SPOT DUAL WHITE/ WARM DIMMING	X		X		X	X
GLARELESS SPOT DUAL WHITE / TUNABLE WHITE	X	X	X		X	X
GLARELESS SPOT RGB+W					X	X
LED-SPHERE BASIC DUAL WHITE/ DUAL WHITE					X	X
LED-SPHERE PREMIUM RGB+W/ DUAL WHITE					X	X
LED-SPHERE ULTIMATE RGB+W/ RGB+W					X	X
POWERLINE SINGLE WHITE	X				X	X
POWERLINE DUAL WHITE / WARM DIMMING					X	
POWERLINE DUAL WHITE/ TUNABLE WHITE					X	X
POWERLINE RGBW+W					X	X
OUTDOOR ENGINE					X	

MANUALS

WWW.DYDELL.COM

Want to know more about the wiring and connecting the engine to the driver? Scan the QR code below to go to the instruction page on our website. Is the QR code not working? Copy this link: <https://www.dydeLL.com/nl/video-instructies-handleidingen/> into your browser.

