



MOUNTING SPECIFICATION

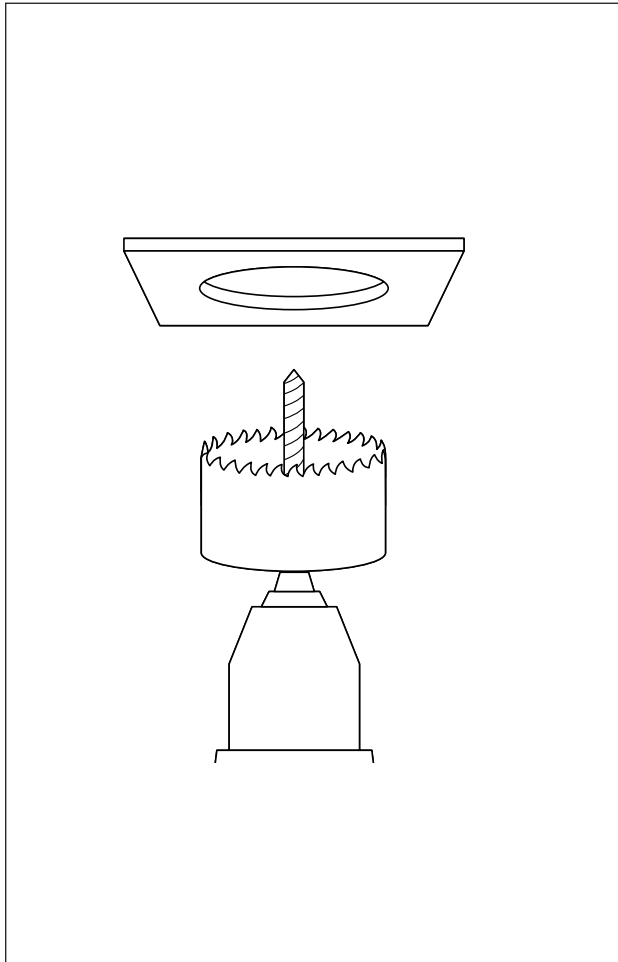
MOUNTING CONSTRUCTION FOR SPRING CLIP GLARELESS SPOT

STEP 1

- Drill a hole in de ceiling with a hole saw of \varnothing 76mm

WHAT YOU NEED:

- Hole saw - \varnothing 76mm
- Drill

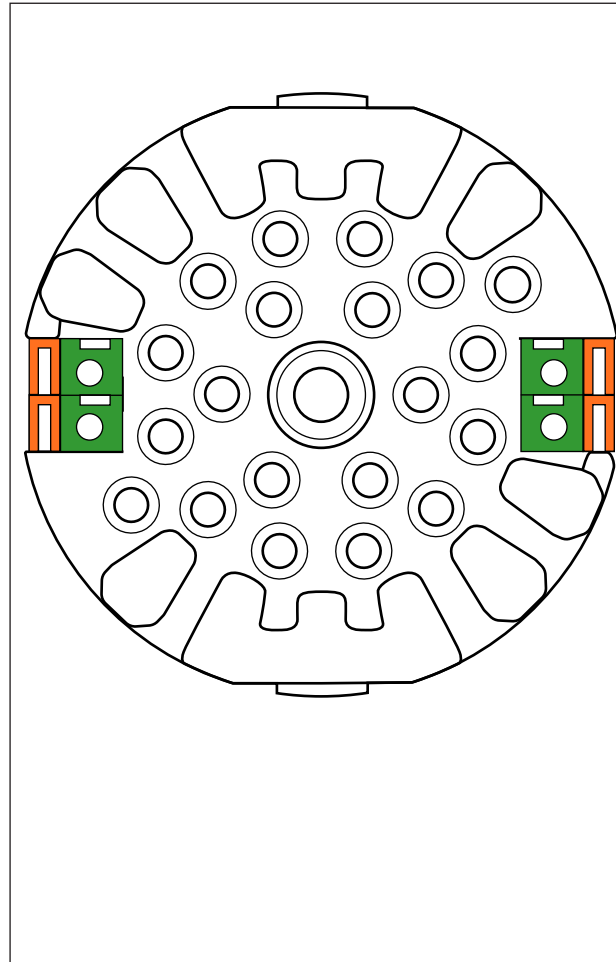


STEP 2

- Install the spots

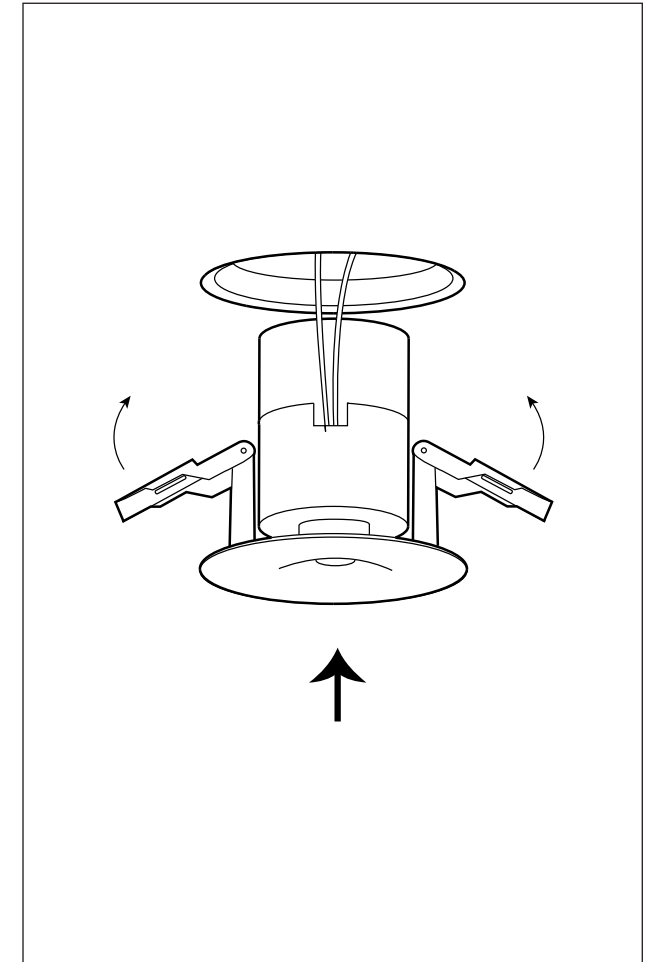
- Go to:

www.dydell.com/nl/video-instructies-handleidin-gen/ or scan the QR code for more instructions



STEP 3

- Squeeze in de the springs of the spot and place the spot In the ceiling hole





COMPATIBILITY TABLE

MOUNTING CONSTRUCTION FOR LED-SPHERE

DRIVERS AND ENGINES

	EXTERNAL DRIVER				INTERNAL DRIVER	
	CASAMBI	DMX	DALI	0-10 VOLT	CASAMBI	DMX
GLARELESS SPOT SINGLE WHITE	X	X	X	X		
GLARELESS SPOT DUAL WHITE/ WARM DIMMING	X		X		X	X
GLARELESS SPOT DUAL WHITE / TUNABLE WHITE	X	X	X		X	X
GLARELESS SPOT RGB+W					X	X
LED-SPHERE BASIC DUAL WHITE/ DUAL WHITE					X	X
LED-SPHERE PREMIUM RGB+W/ DUAL WHITE					X	X
LED-SPHERE ULTIMATE RGB+W/ RGB+W					X	X
POWERLINE SINGLE WHITE	X				X	X
POWERLINE DUAL WHITE / WARM DIMMING					X	
POWERLINE DUAL WHITE/ TUNABLE WHITE					X	X
POWERLINE RGBW+W					X	X
OUTDOOR ENGINE					X	

MANUALS

WWW.DYDELL.COM

Want to know more about the wiring and connecting the engine to the driver? Scan the QR code below to go to the instruction page on our website. Is the QR code not working? Copy this link: <https://www.dydeLL.com/nl/video-instructies-handleidingen/> into your browser.



DYDELL
L I G H T