



# INSTRUCTION MANUAL

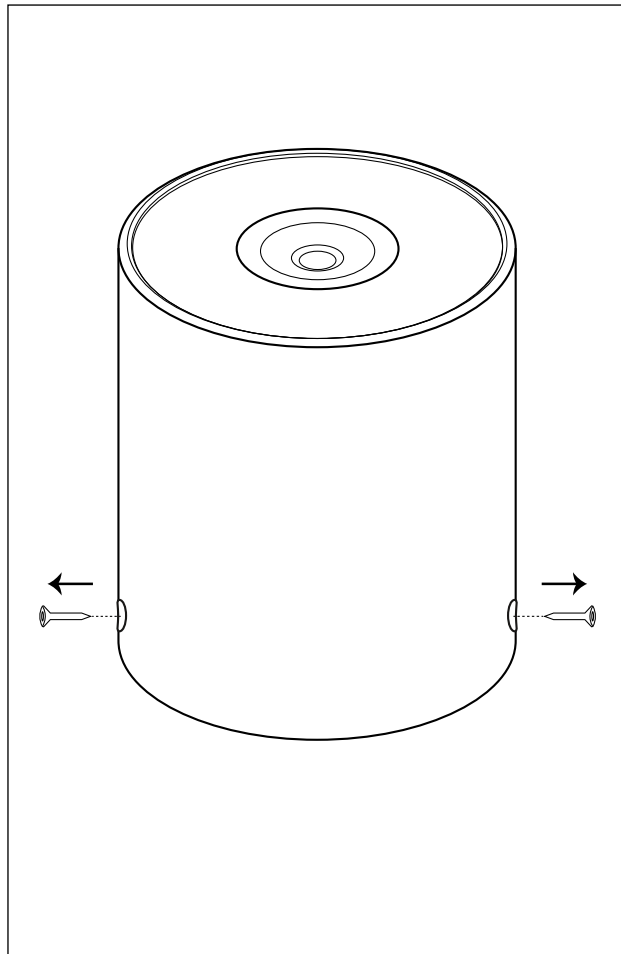
## MOUNTING SPECIFICATIONS FOR SURFACE MOUNTED SPOT

### STEP 1

- Remove the screws from the side of the spot

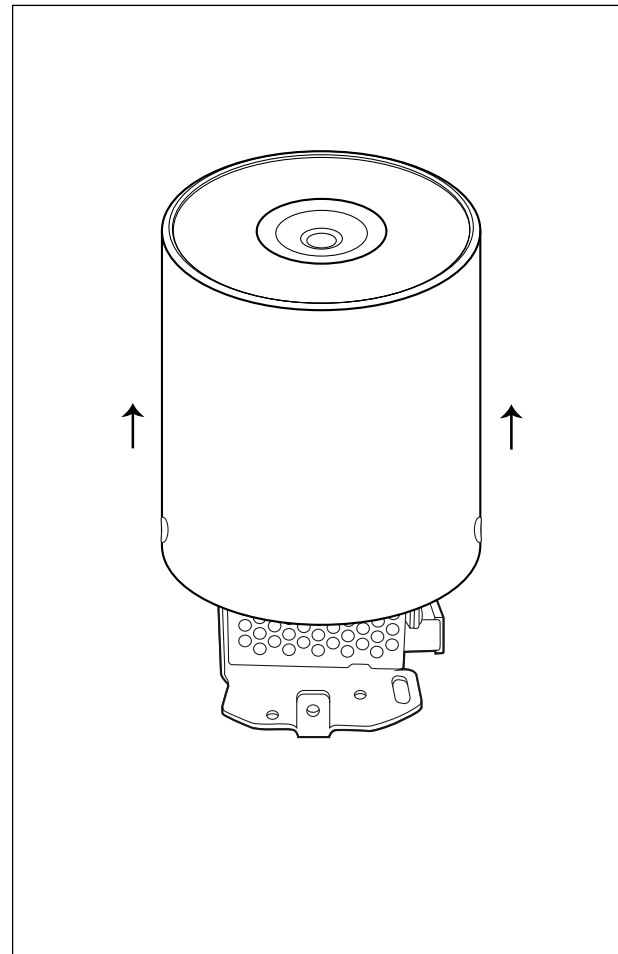
### NECESSITIES

- Drill



### STEP 2

- Remove the cover from the spot

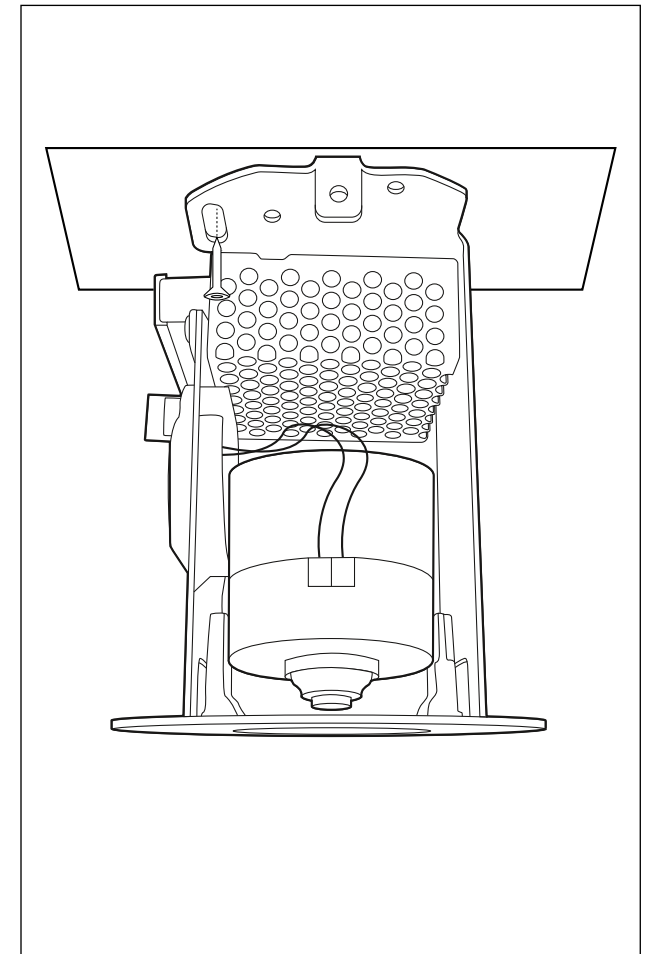


### STEP 3

- Drill two holes in the ceiling and fix the spot with two screws in each gap. Use a torx screwdriver(T20)

### NECESSITIES

- Screwdriver





# INSTRUCTION MANUAL

## MOUNTING SPECIFICATIONS FOR SURFACE MOUNTED SPOT

### STEP 4

- Connect the brown wire to the "L"
- Connect the blue wire to the "N"
- Connect the green/yellow wire to "ground"

### NOTES

Look at our datasheet to see a more detailed description

### STEP 5

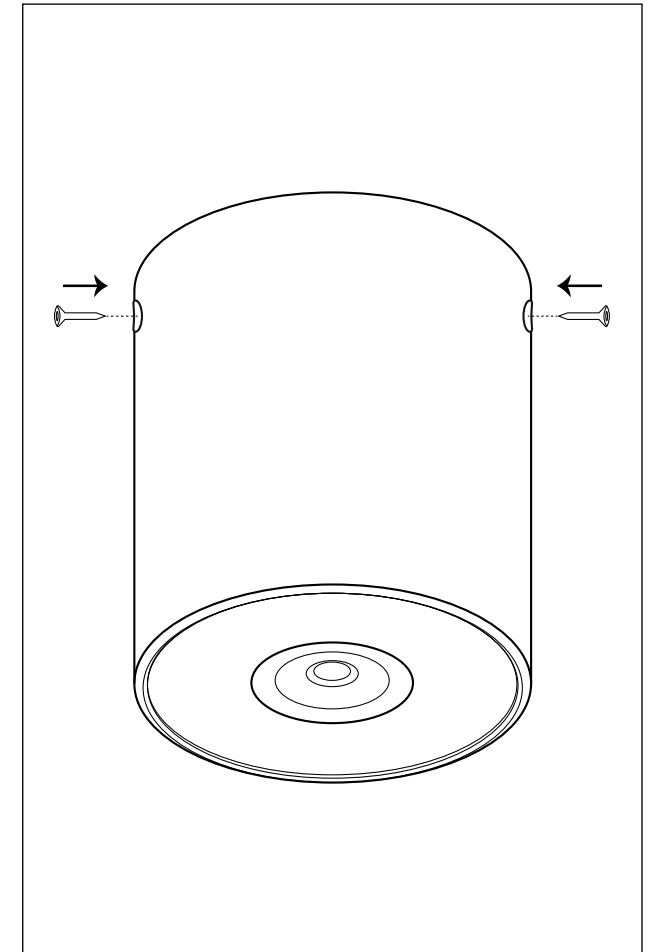
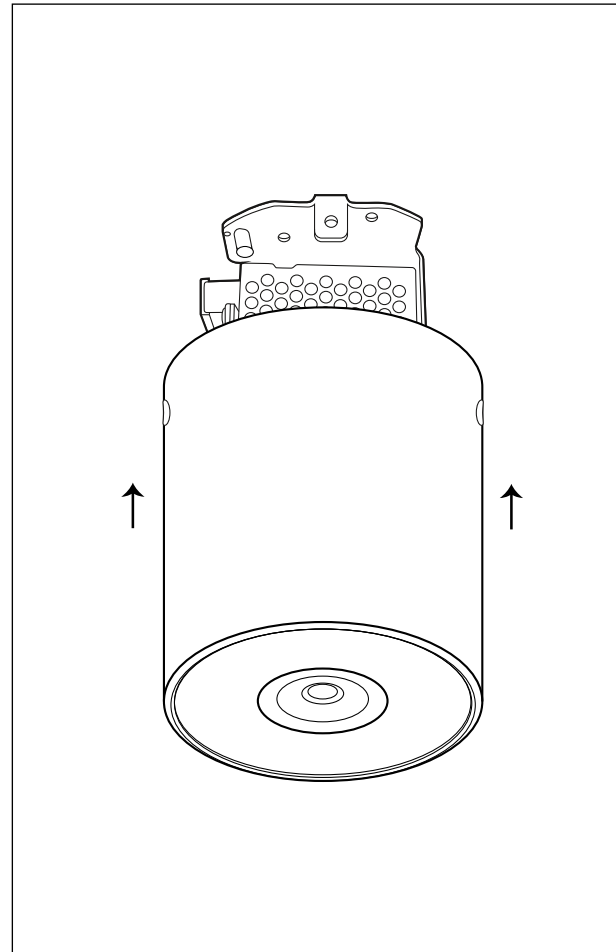
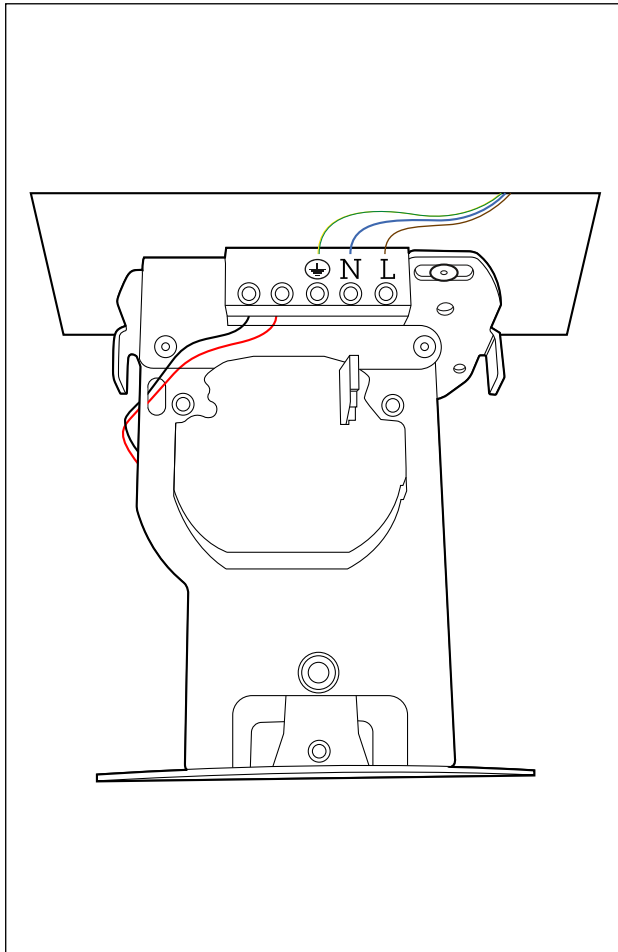
- Slide the cover over the spot until the flange is up to the edge

### STEP 6

- Put the 2 screws back in the holes and carefully tighten them

### NECESSITIES

- Screwdriver





# COMPATIBILITY TABLE

MOUNTING CONSTRUCTION FOR LED-SPHERE

## DRIVERS AND ENGINES

	EXTERNAL DRIVER				INTERNAL DRIVER	
	CASAMBI	DMX	DALI	0-10 VOLT	CASAMBI	DMX
GLARELESS SPOT SINGLE WHITE	X	X	X	X		
GLARELESS SPOT DUAL WHITE/ WARM DIMMING	X		X		X	X
GLARELESS SPOT DUAL WHITE / TUNABLE WHITE	X	X	X		X	X
GLARELESS SPOT RGB+W					X	X
LED-SPHERE BASIC DUAL WHITE/ DUAL WHITE					X	X
LED-SPHERE PREMIUM RGB+W/ DUAL WHITE					X	X
LED-SPHERE ULTIMATE RGB+W/ RGB+W					X	X
POWERLINE SINGLE WHITE	X				X	X
POWERLINE DUAL WHITE / WARM DIMMING					X	
POWERLINE DUAL WHITE/ TUNABLE WHITE					X	X
POWERLINE RGBW+W					X	X
OUTDOOR ENGINE					X	

## MANUALS

[WWW.DYDELL.COM](http://WWW.DYDELL.COM)

Want to know more about the wiring and connecting the engine to the driver? Scan the QR code below to go to the instruction page on our website. Is the QR code not working? Copy this link: <https://www.dydeLL.com/nl/video-instructies-handleidingen/> into your browser.

