



DATASHEET

SINGLE WHITE SPOT

1. MEASUREMENTS

	SPOT ENGINE	SW	DW/RGB+W
Plaster ring	Ø 55,4 mm	H 70 mm	H 86 mm
Spot engine	Ø 55,4 mm	H 70 mm	H 86 mm
Spring clips	Ø 55,4 mm	H 70 mm	H 86 mm
Surface mounted pin spot	Ø 110 mm	H 120mm x Ø 110mm	H 120 mm x Ø 110 mm
Flange size (spring clips)		1mm x Ø90mm, 1mm x Ø112 mm or custom	1 mm x Ø 90 mm, 1 mm x Ø 112 mm or custom
Drill diameter of flange (spring clips)			Ø 76 mm

2. SPECIFICATIONS

LIGHT SOURCE	VOLTAGE
Light composition	Single white
Lumen output	Ca. 500-600 Lumen
Control options	Integrated driver: Casambi, DMX External driver (SW/DW): DALI, 0-10V, Casambi, DMX
Dimming options	0-10V, Casambi, DMX, DALI (sw)
Luminaire type, assembly, adjustable	Ceiling build in, plaster rings, Spring clips, Spot engine, Surface mounted
Dimensions	See technical drawings
Flange	Aluminium
Heat sink	Casting aluminium
Finish / colour	Powder coated - Black, White, Customized, Anodised
Protection marking compliance	IP20, CE
Warranty	2 years
Produced in	The Netherlands
Specials	Customized version, Light colour, colour Rendering
Colour rendering index	CRI 85-95
Lifespan	70% after 50.000H
Internal driver	Voltage: 24 VDC, Power: 12W max
External drive	Current: 950mA, Power: 12W max

3. MAXIMUM REMOTE MOUNTING DISTANCE OF LED LOAD

AWG 20 (0.52 mm²) - 14 m

AWG 19 (0.65 mm²) - 18 m

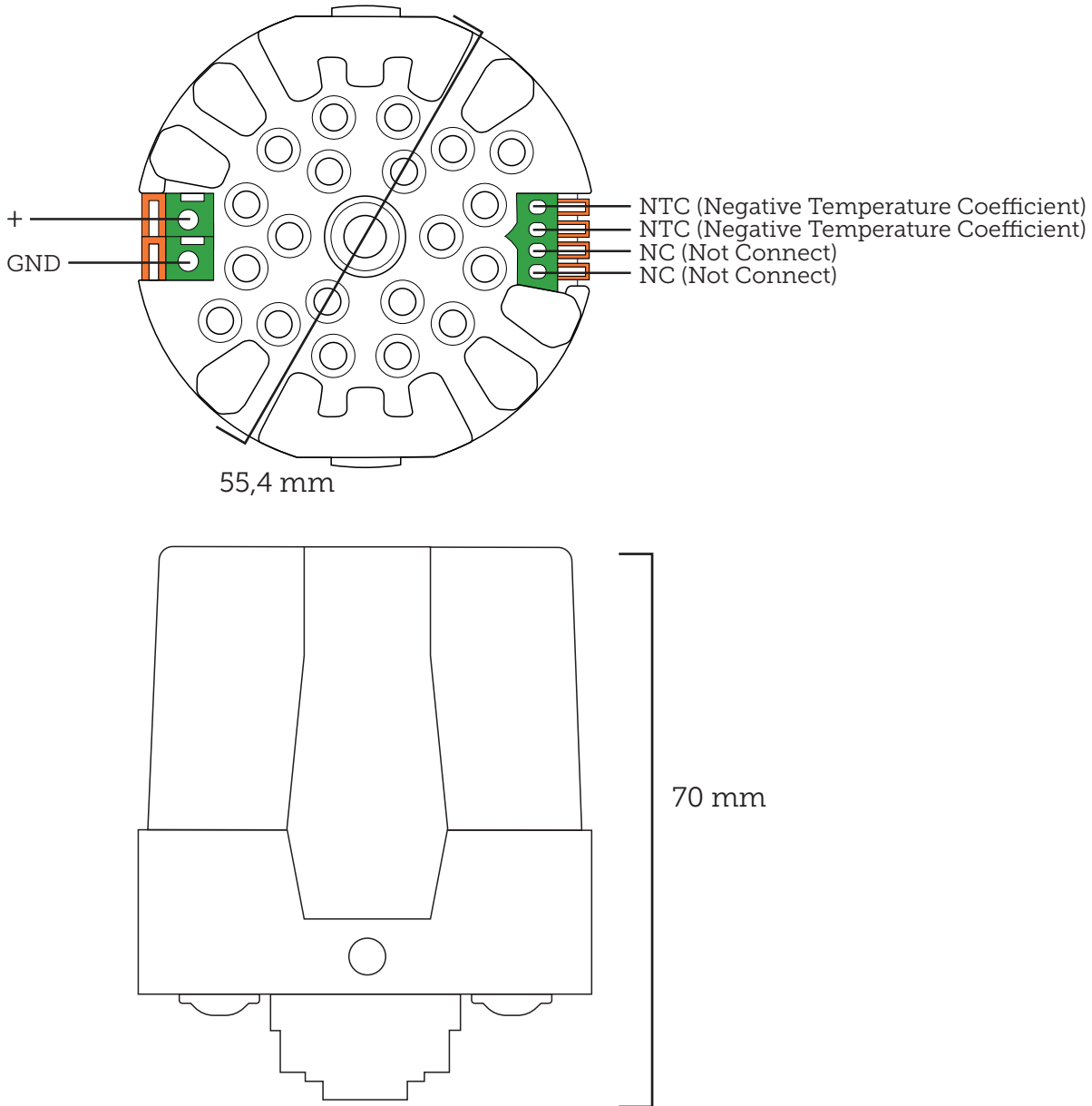
AWG 18 (0.82 mm²) - 22 m

AWG 17 (1.04 mm²) - 28 m

AWG 16 (1.31 mm²) - 36 m



4. MECHANICAL DETAILS



5. WIRING ("+" & "GND")

Stranded wire: 0.2 - 1.5 mm²

Wire strip length: 6.0 - 10.0 mm

6. WIRING ("NTC" & "NC")

Solid wire: 0.15 - 0.3 mm²

Stranded wire: 0.15 - 0.5 mm²

Wire strip length: 9.0 - 10.0 mm



DATASHEET

SINGLE WHITE SPOT - EXTERNAL DRIVER 20 WATT CASAMBI

1. PRODUCT OFFERING

External driver 20 WATT CASAMBI

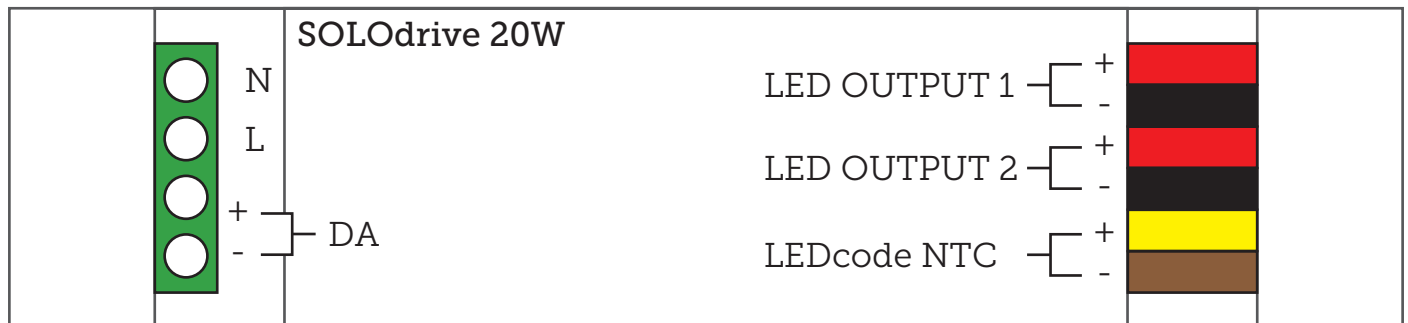
ART. NR. 99-09-004

2. EXTERNAL DRIVER CASAMBI 20 WATT MECHANICAL DETAILS

Length (L): Typical: 153.1 mm, maximum: 153.6 mm

Width (W): Typical: 76.2 mm, maximum: 76.7 mm

Height (H): Typical: 30.1 mm, maximum: 30.6 mm



3. WIRING INPUT

Solid wire: 0.2 - 3.0 mm²

Stranded wire: 0.2 - 3.0 mm²

Wire strip length: 9.0 mm

4. WIRING OUTPUT

Stranded wire: 0.5 - 1.5 mm²

Wire strip length: 9.0 mm

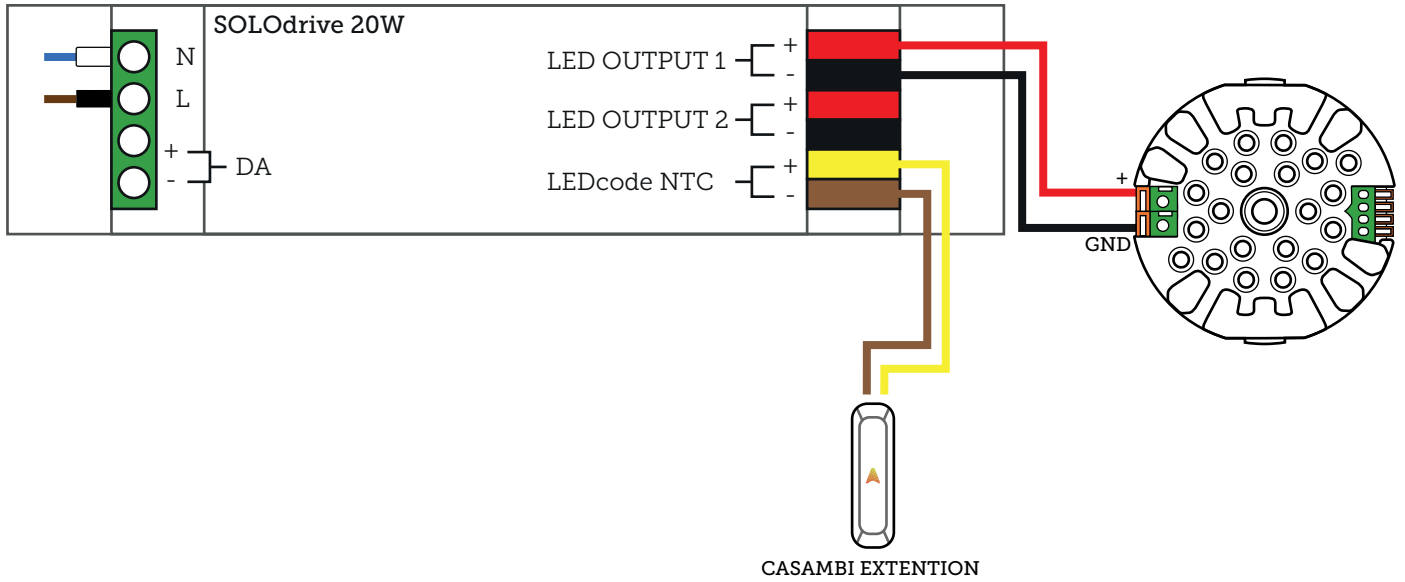




DATASHEET

SINGLE WHITE SPOT - EXTERNAL DRIVER 20 WATT CASAMBI

5. CONNECTING THE SPOT TO THE DRIVER





DATASHEET

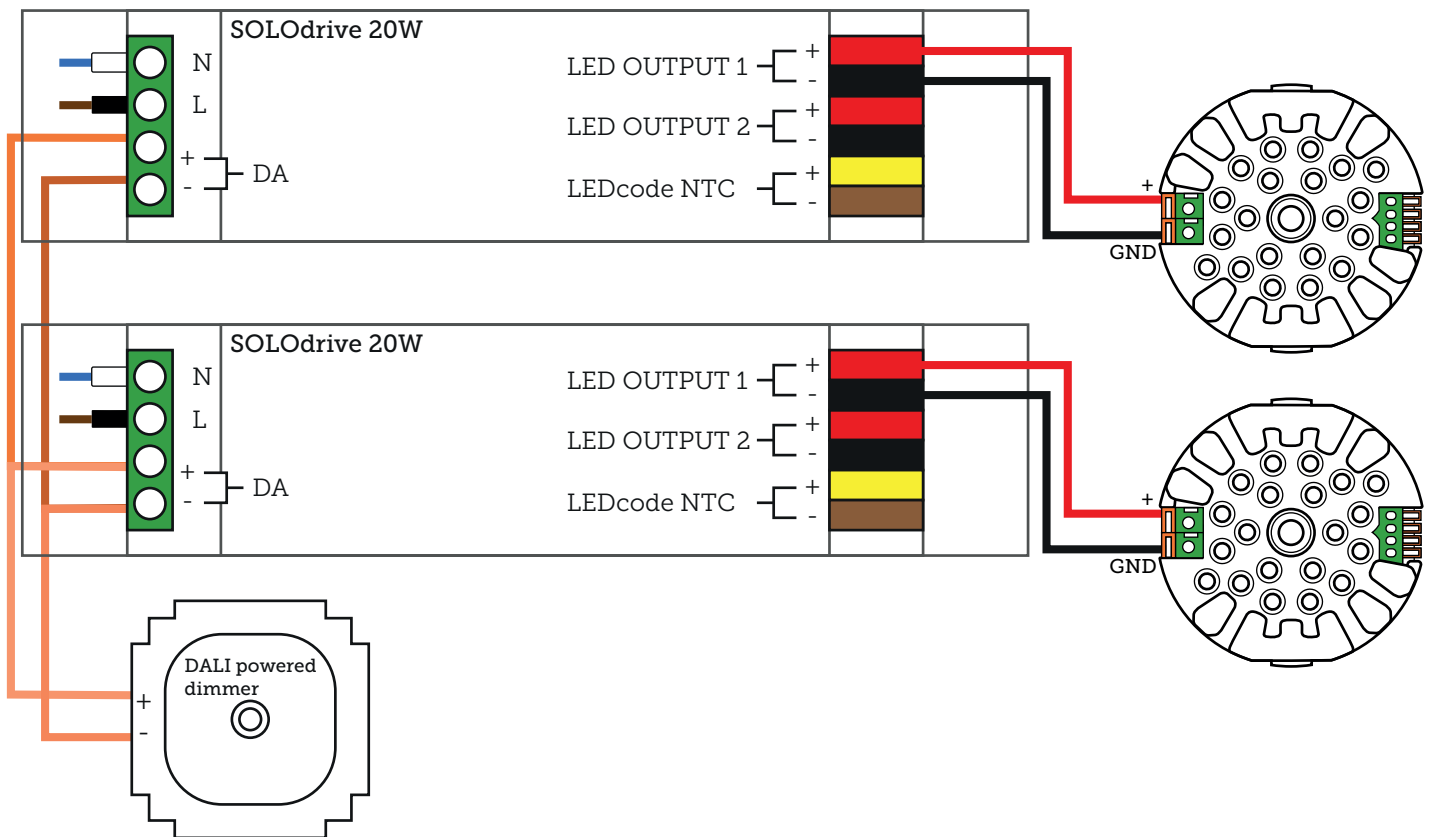
SINGLE WHITE SPOT - EXTERNAL DRIVER 20 WATT DALI

1. PRODUCT OFFERING

External driver 20 WATT DALI

ART. NR. 99-09-004

2. CONNECTING THE SPOT IN SERIES





DATASHEET

SINGLE WHITE SPOT - EXTERNAL DRIVER 50 WATT CASAMBI

1. PRODUCT OFFERING

External driver 50 WATT CASAMBI

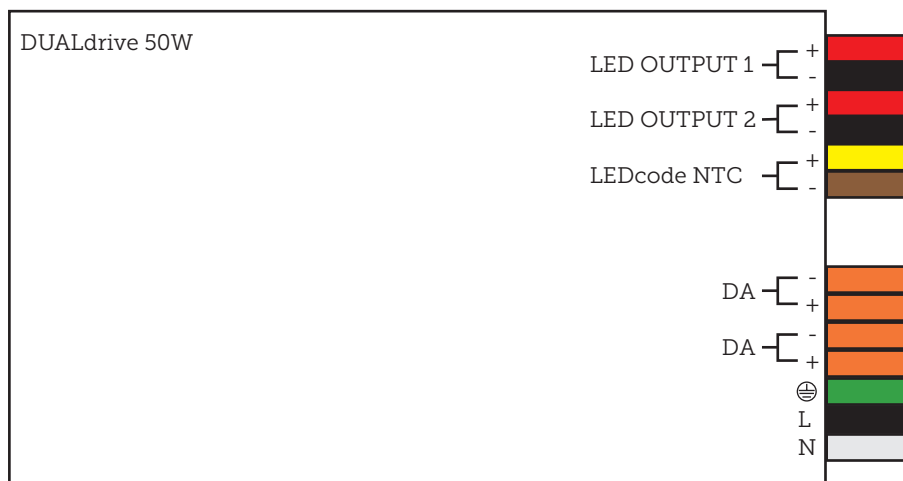
ART. NR. 99-09-012

2. EXTERNAL DRIVER CASAMBI 50 WATT MECHANICAL DETAILS

Length (L): Typical: 153.1 mm / 6.03 in, maximum: 153.6 mm / 6.05 in

Width (W): Typical: 76.2 mm / 3.00 in, maximum: 76.7 mm / 3.02 in

Height (H): Typical: 30.1 mm / 1.19 in, maximum: 30.6 mm / 1.20 in



3. WIRING INPUT

Solid wire: 0.5 - 1.5 mm²

Stranded wire: 0.5 - 1.5 mm²

Wire strip length: 9.0 mm

4. WIRING OUTPUT

Stranded wire: 0.5 - 1.5 mm²

Wire strip length: 9.0 mm



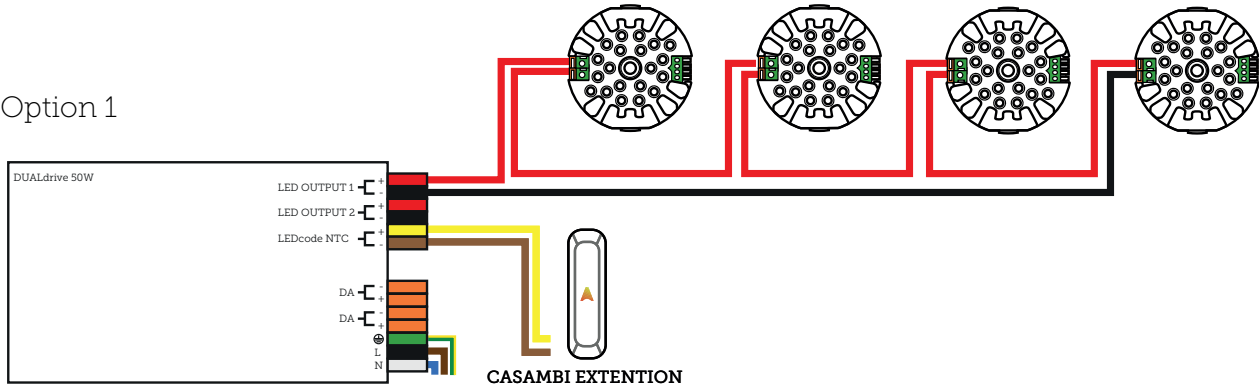


DATASHEET

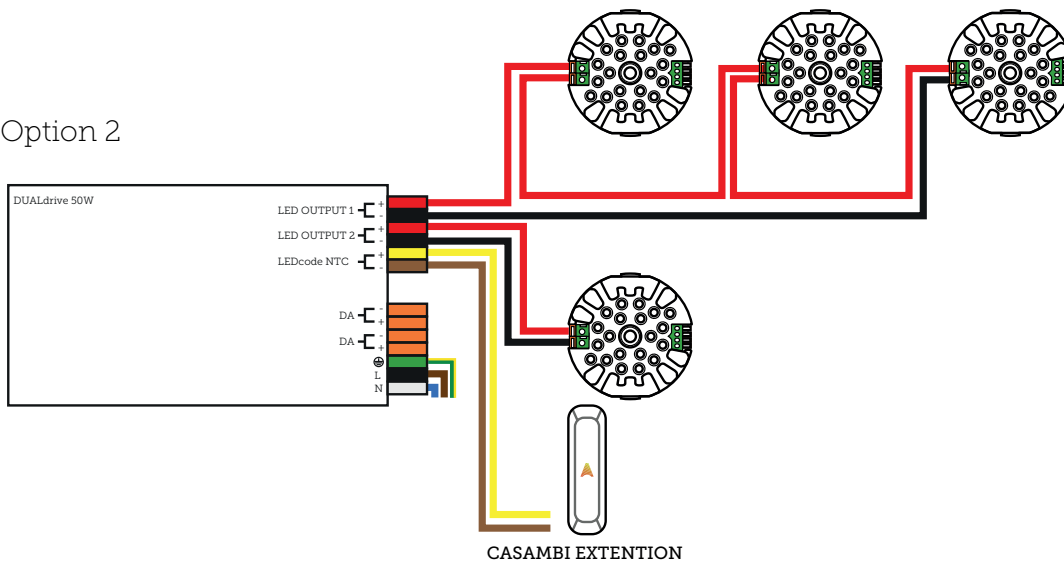
SINGLE WHITE SPOT - EXTERNAL DRIVER 50 WATT CASAMBI

5. CONNECTING THE SPOT IN SERIES

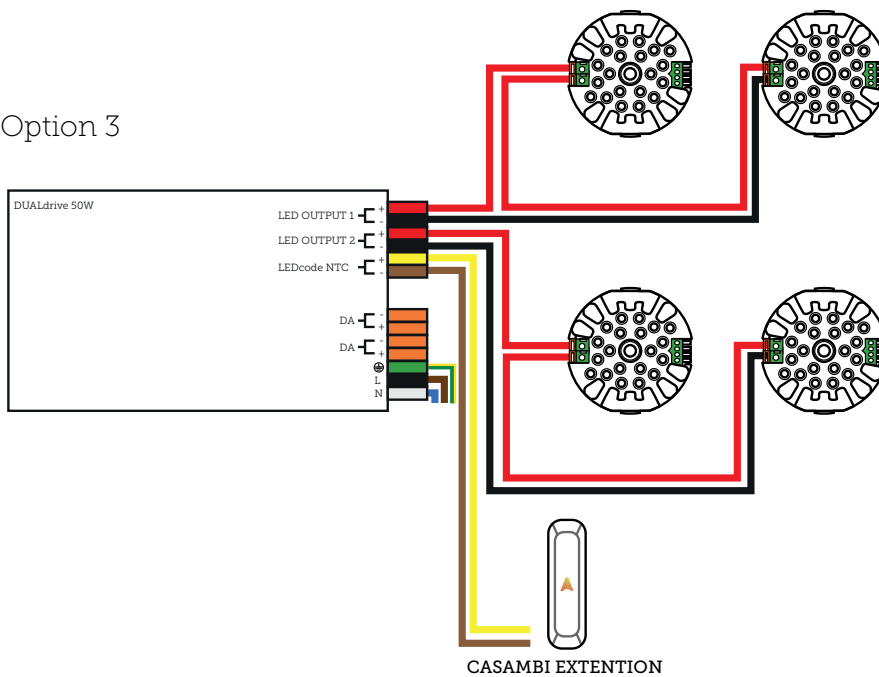
Option 1



Option 2



Option 3





DATASHEET

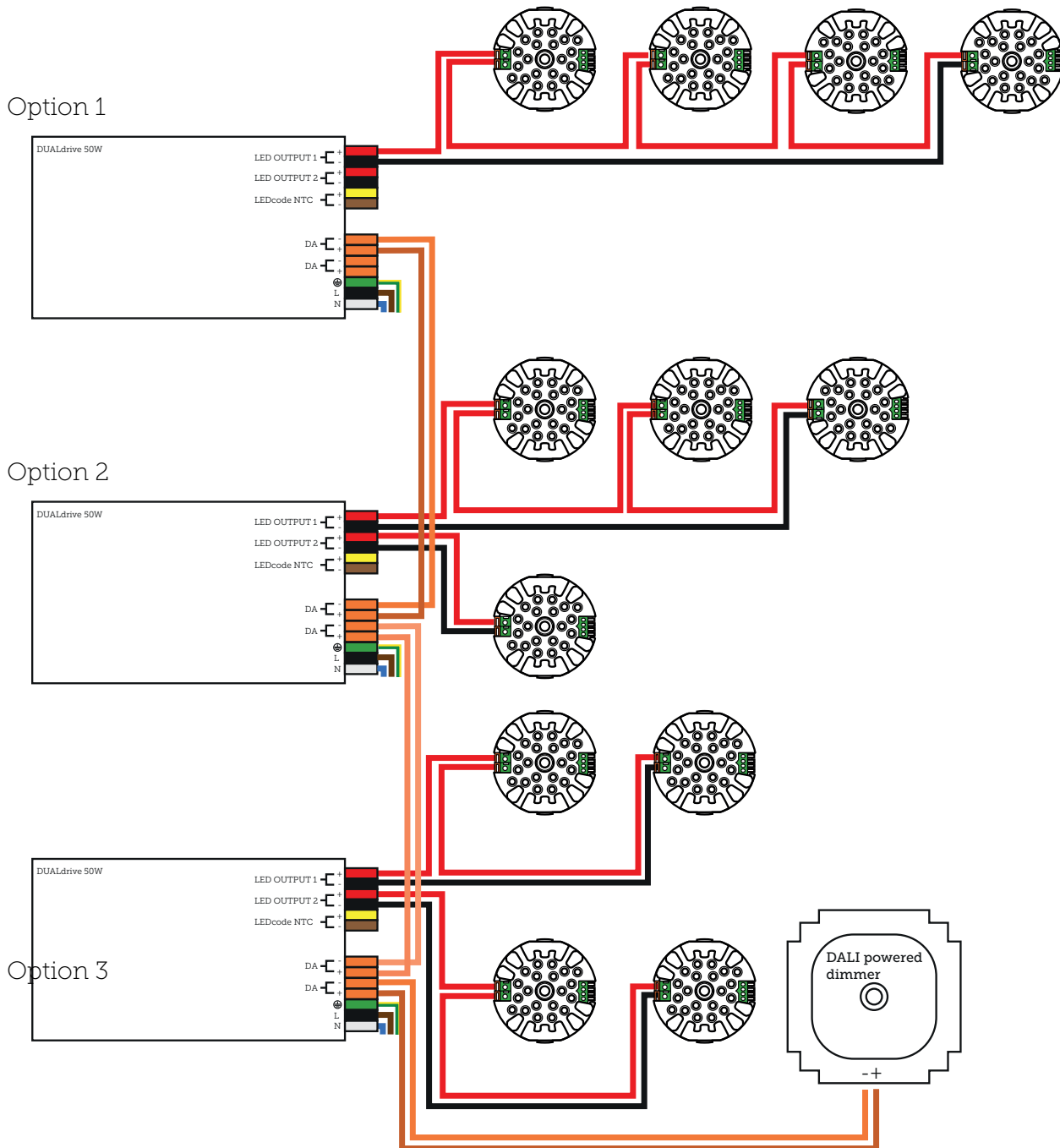
SINGLE WHITE SPOT - EXTERNAL DRIVER 50 WATT DALI

1. PRODUCT OFFERING

External driver 50 WATT DALI

ART. NR. 99-09-012

2. CONNECTING THE SPOT IN SERIES





DATASHEET

SINGLE WHITE SPOT - EXTERNAL DRIVER 50 WATT DMX

1. PRODUCT OFFERING

EXTERNAL DRIVER 50 WATT DMX

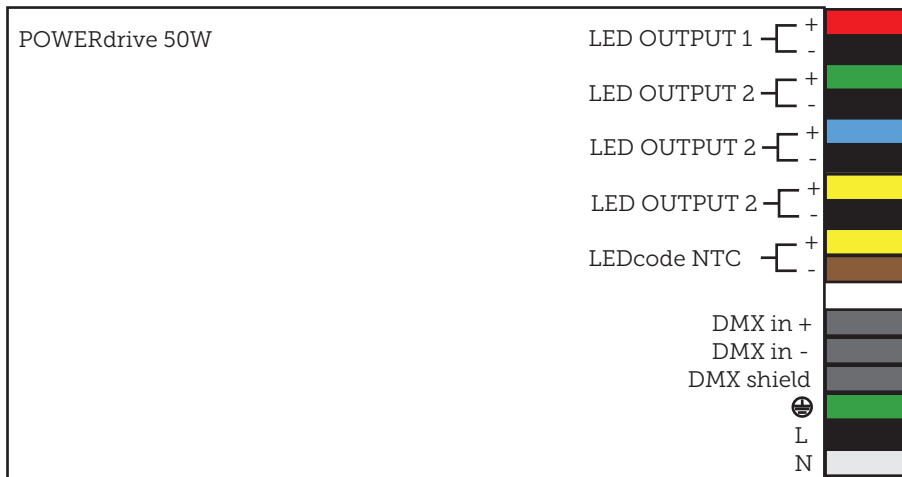
ART. NR. 99-09-021

2. EXTERNAL DRIVER CASAMBI 50 WATT MECHANICAL DETAILS

Length (L): Typical: 153.1 mm, maximum: 153.6 mm

Width (W): Typical: 76.2 mm, maximum: 76.7 mm

Height (H): Typical: 30.1 mm, maximum: 30.6 mm



3. WIRING INPUT

Solid wire: 0.5 - 1.5 mm²

Stranded wire: 0.5 - 1.5 mm²

Wire strip length: 9.0 mm

4. WIRING OUTPUT

Stranded wire: 0.5 - 1.5 mm²

Wire strip length: 9.0 mm

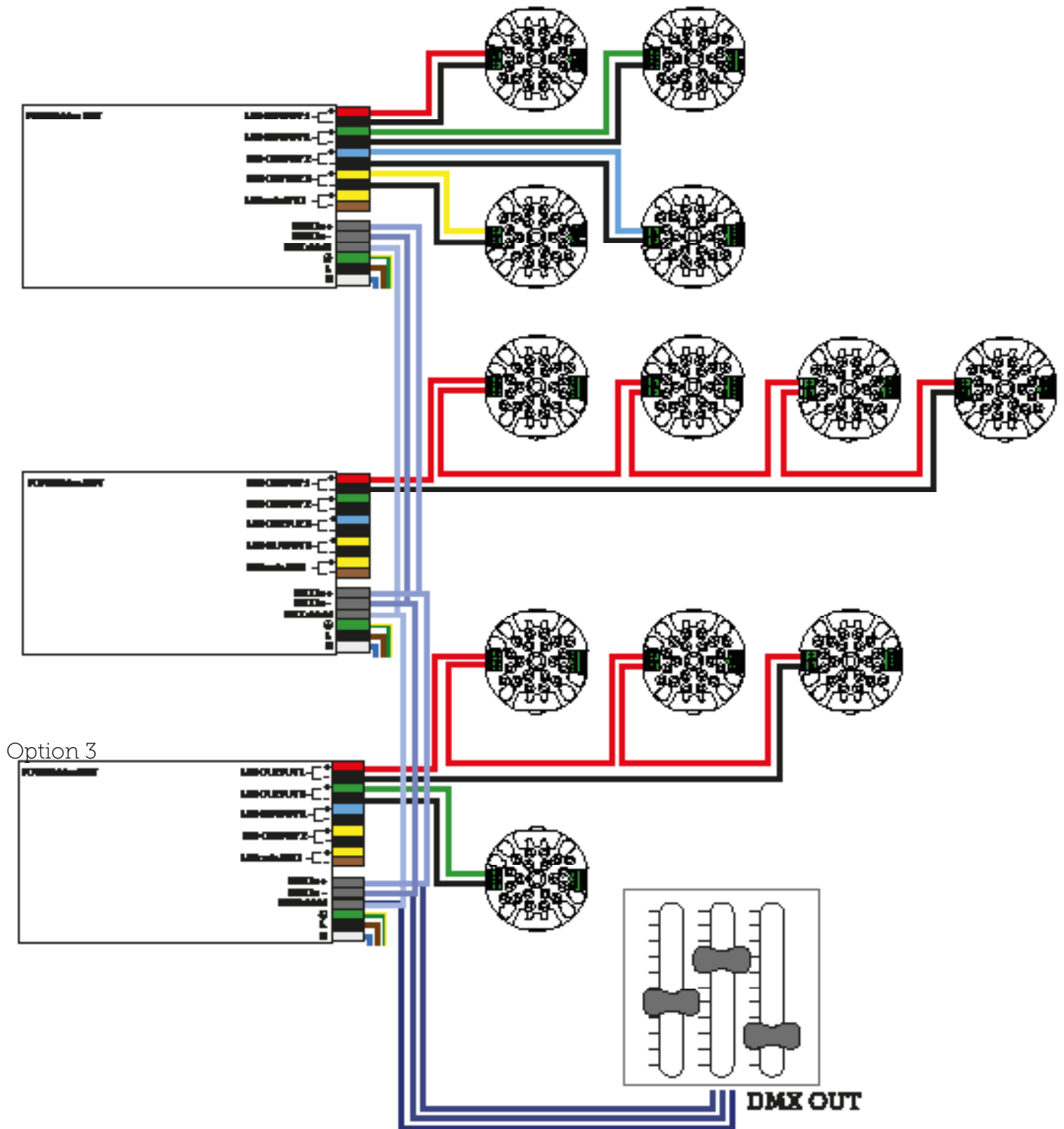




DATASHEET

SINGLE WHITE SPOT - EXTERNAL DRIVER 0 - 10 VOLT

5. CONNECTING THE SPOT IN SERIES





DATASHEET

SINGLE WHITE SPOT - EXTERNAL DRIVER 0 - 10 VOLT

1. PRODUCT OFFERING

EXTERNAL DRIVER 0 - 10 VOLT

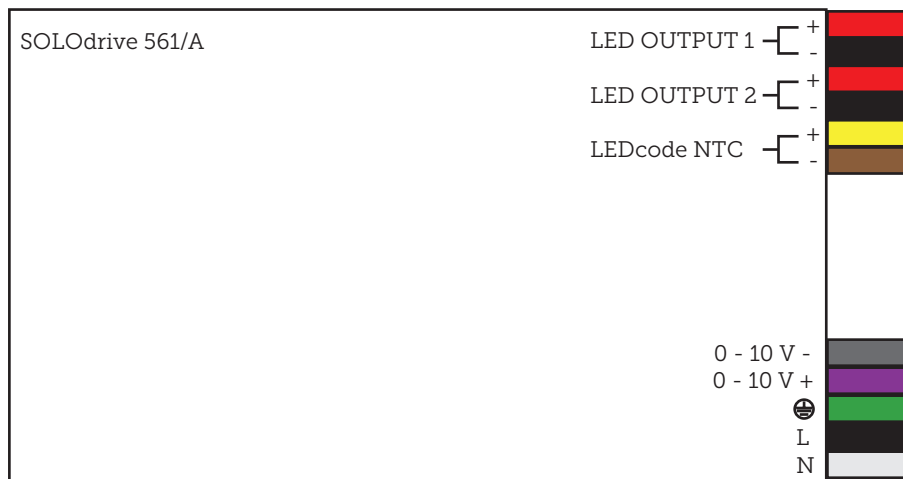
ART. NR. 99-09-013

2. EXTERNAL DRIVER 0 - 10 VOLT MECHANICAL DETAILS

Length (L): Typical: 153.1 mm, maximum: 153.6 mm

Width (W): Typical: 76.2 mm, maximum: 76.7 mm

Height (H): Typical: 30.1 mm, maximum: 30.6 mm



3. WIRING INPUT

Solid wire: 0.5 - 1.5 mm²

Stranded wire: 0.5 - 1.5 mm²

Wire strip length: 9.0 mm

4. WIRING OUTPUT

Stranded wire: 0.5 - 1.5 mm²

Wire strip length: 9.0 mm





DATASHEET

SINGLE WHITE SPOT - EXTERNAL DRIVER 0 - 10 VOLT

5. CONNECTING THE SPOT IN SERIES

