



DATASHEET

RGB+W SPOT & DUAL WHITE SPOT

CONTENT

PAGE

| | |
|--------------------------|----|
| RGB+W & DUAL WHITE SPOT | 3 |
| 15W POWER SUPPLY | 4 |
| CASAMBI & DMX CONNECTION | 5 |
| 25W POWER SUPPLY | 6 |
| CASAMBI & DMX CONNECTION | 7 |
| 75W POWER SUPPLY | 8 |
| CASAMBI & DMX CONNECTION | 9 |
| 150W POWER SUPPLY | 10 |
| CASAMBI & DMX CONNECTION | 11 |

LIGHT ENGINE ORDER NUMBER CONFIGURATOR

Article number: ---

Light engine Beam angle Control options

| LIGHT ENGINE | BEAM ANGLE | CONTROL OPTIONS |
|----------------------|------------|----------------------------|
| DUAL =2000K -3000K | 20° | E= External driver |
| WDIM= 2200K - 3000K | 40° | C= Internal driver Casambi |
| RGBW = RGB+W (2700K) | | D= Internal driver DMX |



DATASHEET

RGB+W SPOT & DUAL WHITE SPOT

1. MEASUREMENTS

| | SPOT ENGINE | SW | DW/RGB+W |
|---|-------------|--------------------------------------|---|
| Plaster ring | Ø 55,4 mm | H 70 mm | H 86 mm |
| Spot engine | Ø 55,4 mm | H 70 mm | H 86 mm |
| Spring clips | Ø 55,4 mm | H 70 mm | H 86 mm |
| Surface mounted pin spot | Ø 110 mm | H 120mm x Ø 110mm | H 120 mm x Ø 110 mm |
| Flange size (spring clips) | | 1mm x Ø90mm, 1mm x Ø112 mm or custom | 1 mm x Ø 90 mm, 1 mm x Ø 112 mm or custom |
| Drill diameter of flange (spring clips) | | | Ø 76 mm |

2. SPECIFICATIONS

| LIGHT SOURCE | VOLTAGE |
|--------------------------------------|---|
| Light composition | DUAL WHITE & RGB+W |
| Lumen output | Ca. 300-400 Lumen |
| Control options | Integrated driver: Casambi, DMX External driver: DALI, Casambi, DMX |
| Dimming options | Casambi, DMX, DALI |
| Luminaire type, assembly, adjustable | Ceiling build in, plaster rings, Spring clips, Spot engine, Surface mounted |
| Dimensions | See technical drawings |
| Flange | Aluminium |
| Heat sink | Casting aluminium |
| Finish / colour | Powder coated - Black, White, Customized, Anodised |
| Protection marking compliance | IP20, CE |
| Warranty | 2 years |
| Produced in | The Netherlands |
| Specials | Customized version, Light colour, colour Rendering |
| Colour rendering index | CRI 85-95 |
| Lifespan | 70% after 50.000H |
| Internal driver | Voltage: 24 VDC, Power: 12W max |
| External drive | Current: 950mA, Power: 12W max |

3. MAXIMUM REMOTE MOUNTING DISTANCE OF LED LOAD

AWG 20 (0.52 mm²) - 14 m

AWG 19 (0.65 mm²) - 18 m

AWG 18 (0.82 mm²) - 22 m

AWG 17 (1.04 mm²) - 28 m

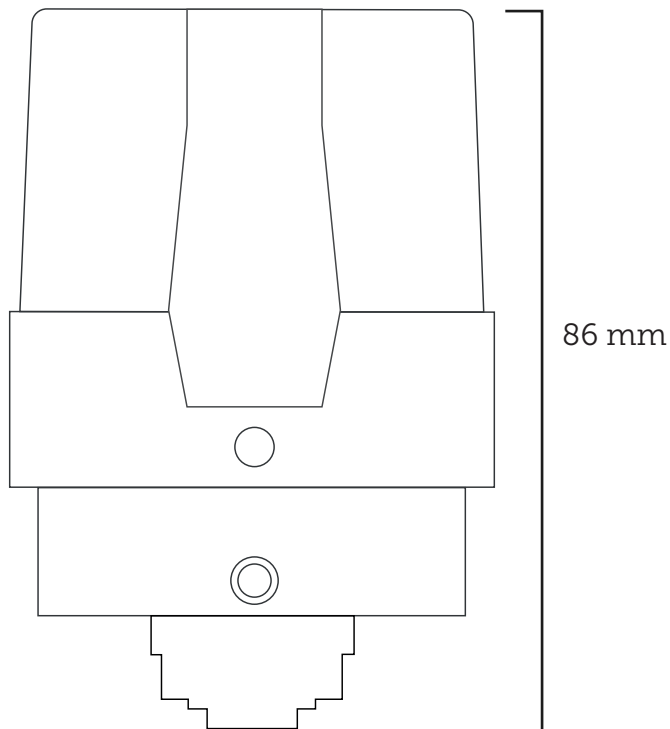
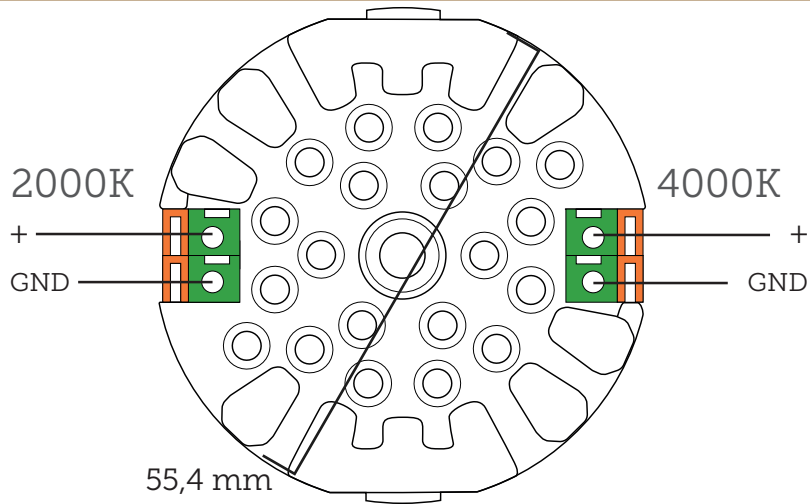
AWG 16 (1.31 mm²) - 36 m



DATASHEET

RGB+W SPOT & DUAL WHITE SPOT

4. MECHANICAL DETAILS



5. WIRING ("+" & "GND")

Stranded wire: 0.2 - 1.5 mm²

Wire strip length: 6.0 - 10.0 mm



DATASHEET

DUAL WHITE SPOT - INTERNAL DRIVER

1. PRODUCT OFFERING

15W SINGLE OUTPUT SWITCHING POWER SUPPLY

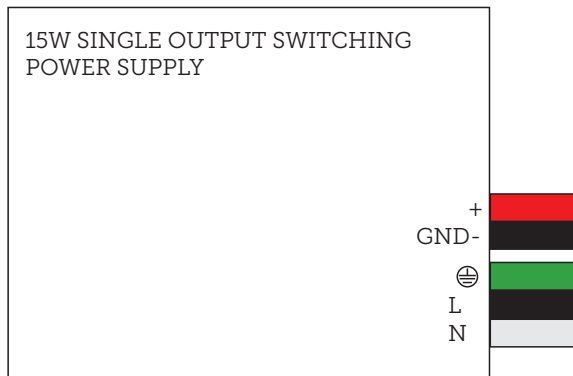
ART NR

2. EXTERNAL DRIVER CASAMBI 20 WATT MECHANICAL DETAILS

Length (L): Typical: 62.5 mm

Width (W): Typical: 51 mm

Height (H): Typical: 28 mm



3. WIRING INPUT

Solid wire: 0.2 - 3.0 mm²

Stranded wire: 0.2 - 3.0 mm²

Wire strip length: 9.0 mm

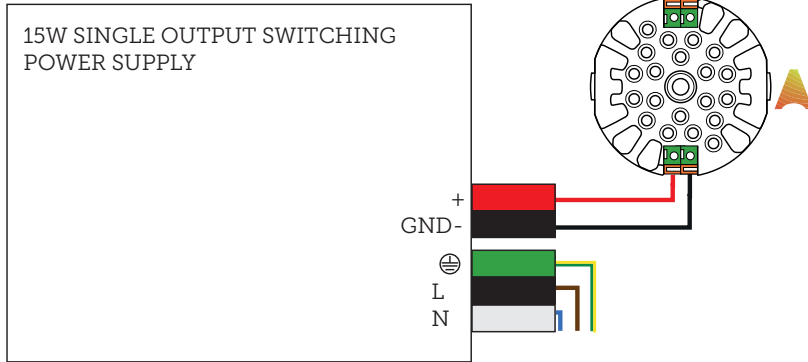
4. WIRING OUTPUT

Stranded wire: 0.5 - 1.5 mm²

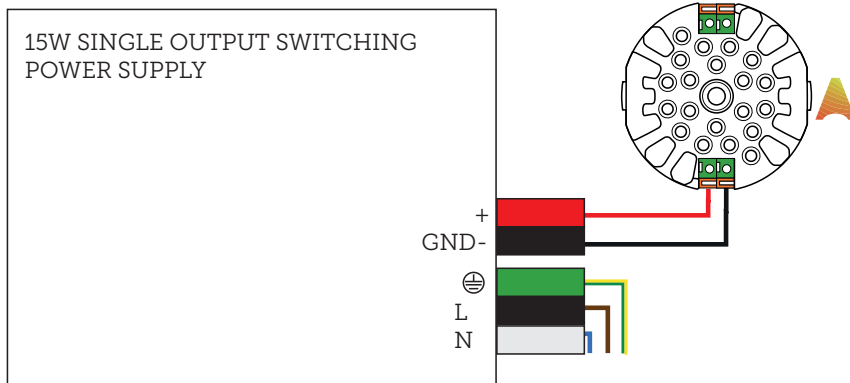
Wire strip length: 9.0 mm



5. CONNECTED PARALLEL CASAMBI



6. CONNECTED PARALLEL DMX





DATASHEET

DUAL WHITE SPOT - INTERNAL DRIVER

1. PRODUCT OFFERING

25W SINGLE OUTPUT SWITCHING POWER SUPPLY

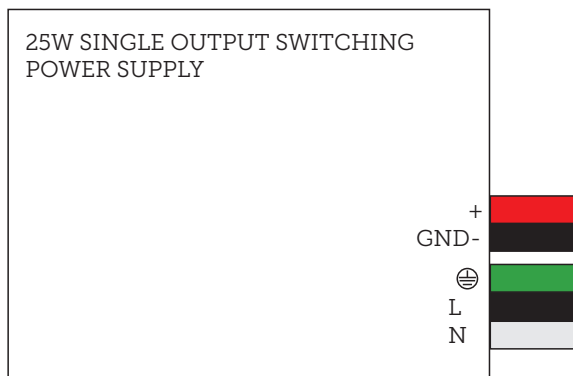
ART NR

2. EXTERNAL DRIVER CASAMBI 20 WATT MECHANICAL DETAILS

Length (L): Typical: 78 mm

Width (W): Typical: 51 mm

Height (H): Typical: 28 mm



3. WIRING INPUT

Solid wire: 0.2 - 3.0 mm²

Stranded wire: 0.2 - 3.0 mm²

Wire strip length: 9.0 mm

4. WIRING OUTPUT

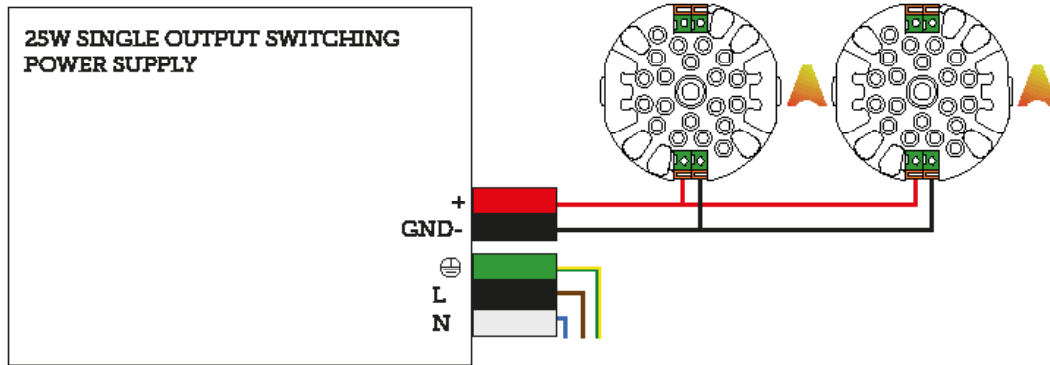
Stranded wire: 0.5 - 1.5 mm²

Wire strip length: 9.0 mm

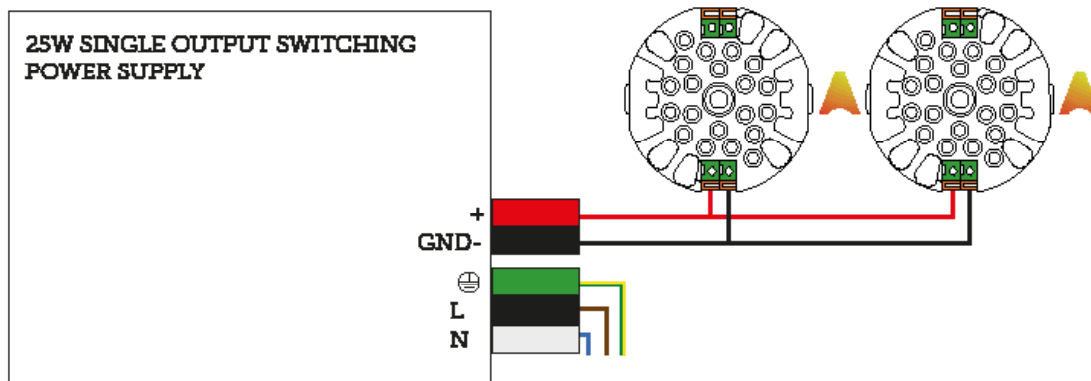


DATASHEET

5. CONNECTED PARALLEL CASAMBI



6. CONNECTED PARALLEL DMX





DATASHEET

DUAL WHITE SPOT - INTERNAL DRIVER

1. PRODUCT OFFERING

48~75W CONSTANT VOLTAGE POWER SUPPLY

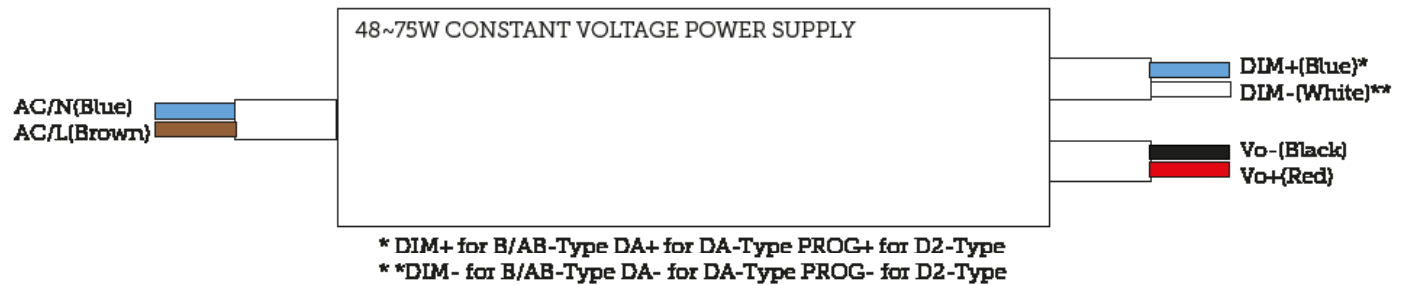
ART NR

2. EXTERNAL DRIVER CASAMBI 20 WATT MECHANICAL DETAILS

Length (L): Typical: 180 mm

Width (W): Typical: 63 mm

Height (H): Typical: 35,5 mm



3. WIRING INPUT

Solid wire: 0.2 - 3.0 mm²

Stranded wire: 0.2 - 3.0 mm²

Wire strip length: 9.0 mm

4. WIRING OUTPUT

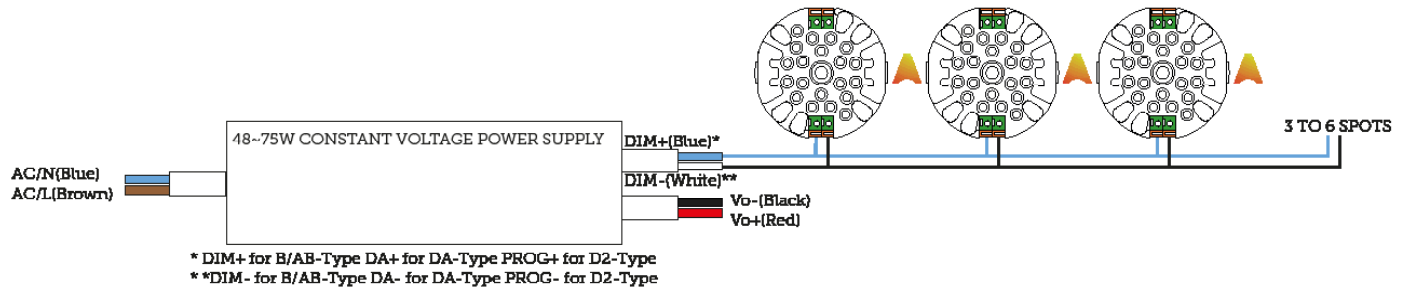
Stranded wire: 0.5 - 1.5 mm²

Wire strip length: 9.0 mm

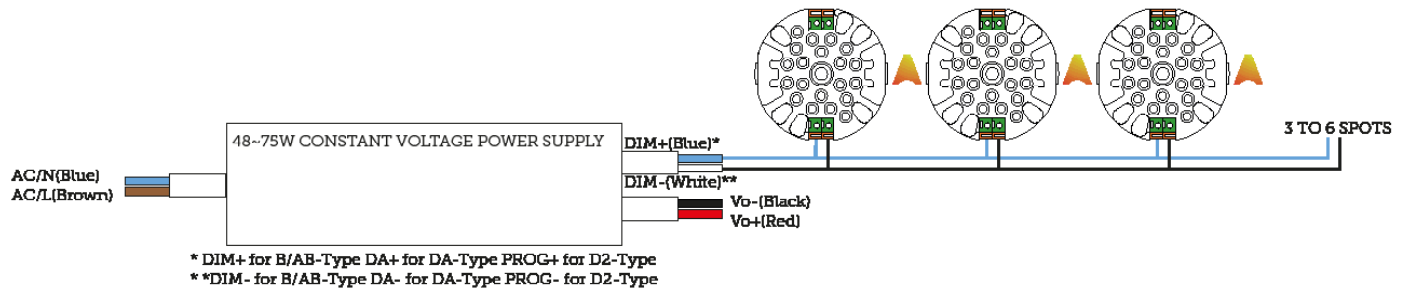


DATASHEET

5. CONNECTED PARALLEL CASAMBI



6. CONNECTED PARALLEL DMX





DATASHEET

DUAL WHITE SPOT - INTERNAL DRIVER

1. PRODUCT OFFERING

84~150W CONSTANT VOLTAGE POWER SUPPLY

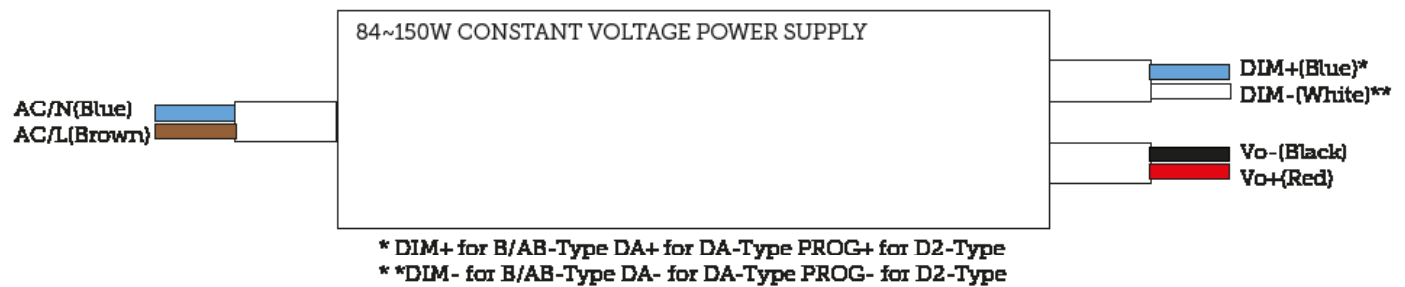
ART NR

2. EXTERNAL DRIVER CASAMBI 20 WATT MECHANICAL DETAILS

Length (L): Typical: 219 mm

Width (W): Typical: 63 mm

Height (H): Typical: 35,5 mm



3. WIRING INPUT

Solid wire: 0.2 - 3.0 mm²

Stranded wire: 0.2 - 3.0 mm²

Wire strip length: 9.0 mm

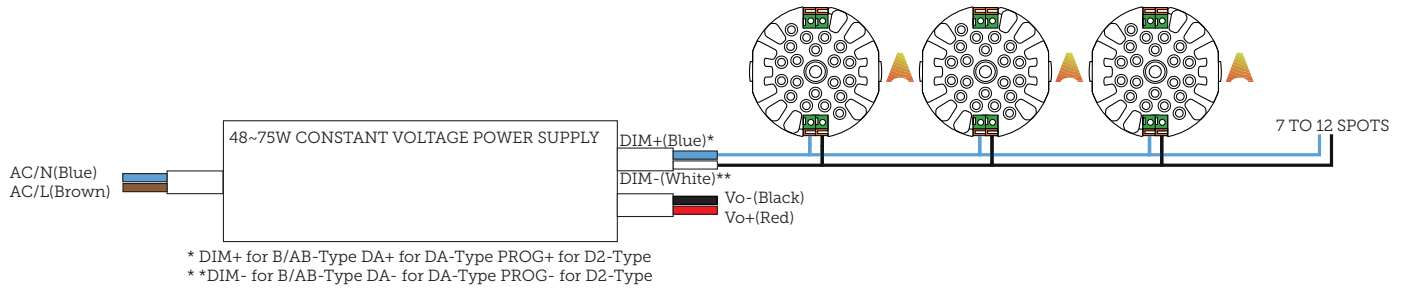
4. WIRING OUTPUT

Stranded wire: 0.5 - 1.5 mm²

Wire strip length: 9.0 mm



5. CONNECTED PARALLEL CASAMBI



6. CONNECTED PARALLEL DMX

