



DATASHEET

RGB+W SPOT & DUAL WHITE SPOT - INTERNAL DRIVER

CONTENT

PAGE

RGB+W & DUAL WHITE SPOT	3
15W POWER SUPPLY	4
25W POWER SUPPLY	6
60W POWER SUPPLY	8
75W POWER SUPPLY	10
150W POWER SUPPLY	12

LIGHT ENGINE ORDER NUMBER CONFIGURATOR

Article number: ---

Light engine Beam angle Control options

LIGHT ENGINE	BEAM ANGLE	CONTROL OPTIONS
DUAL =2000K -3000K	20°	C= Internal driver Casambi
WDIM= 2200K - 3000K	40°	D= Internal driver DMX
RGBW = RGB+W (2700K)		

DATASHEET

RGB+W SPOT & DUAL WHITE SPOT - INTERNAL DRIVER

1. MEASUREMENTS

	SPOT ENGINE	SW	DW/RGB+W
Spot engine	Ø 55,4 mm	H 70 mm	H 86 mm
Spring clips	Ø 70 mm	H 70 mm	H 86 mm
Surface mounted pin spot	Ø 110 mm	H 120mm x Ø 110mm	H 120 mm x Ø 110 mm
Flange size (spring clips)		1mm x Ø90mm, 1mm x Ø112 mm or custom	1 mm x Ø 90 mm, 1 mm x Ø 112 mm or custom
Drill diameter of flange (spring clips)			Ø 76 mm
Plaster ring	Ø 130 mm	H 12 mm	Plaster layer thickness 3,65 mm

2. SPECIFICATIONS

LIGHT SOURCE	
Light composition	DUAL WHITE & RGB+W
Lumen output	Ca. 300-400 Lumen
Control options	Integrated driver: Casambi, DMX
Dimming options	Casambi, DMX
Luminaire type, assembly, adjustable	Ceiling build in, plaster rings, Spring clips, Spot engine, Surface mounted
Dimensions	See technical drawings
Flange	Aluminium
Heat sink	Casting aluminium
Finish / colour	Powder coated - Black, White, Customized, Anodised
Protection marking compliance	IP20, CE
Warranty	2 years
Produced in	The Netherlands
Specials	Customized version, Light colour, colour Rendering
Colour rendering index	CRI 85-95
Lifespan	70% after 50.000H
Internal driver	Voltage: 24 VDC, Power: 12W max

3. MAXIMUM REMOTE MOUNTING DISTANCE OF LED LOAD

AWG 20 (0.52 mm²) - 14 m

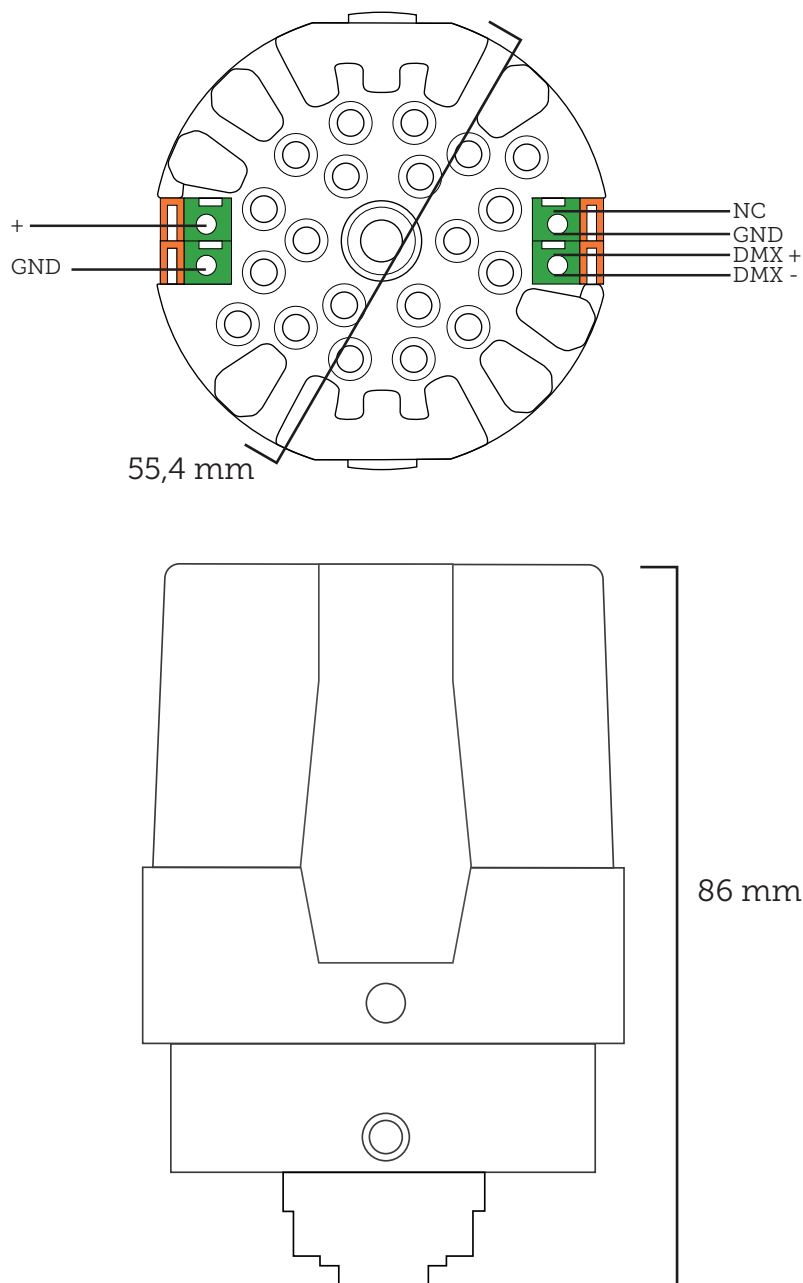
AWG 19 (0.65 mm²) - 18 m

AWG 18 (0.82 mm²) - 22 m

AWG 17 (1.04 mm²) - 28 m

AWG 16 (1.31 mm²) - 36 m

4. MECHANICAL DETAILS



5. WIRING ("+" & "GND")

Stranded wire: 0.2 - 1.5 mm²

Wire strip length: 6.0 - 10.0 mm

1. PRODUCT OFFERING

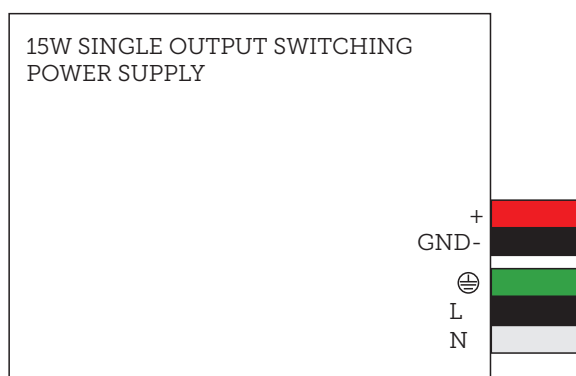
15W SINGLE OUTPUT SWITCHING POWER SUPPLY

2. EXTERNAL DRIVER CASAMBI 20 WATT MECHANICAL DETAILS

Length (L): Typical: 62.5 mm

Width (W): Typical: 51 mm

Height (H): Typical: 28 mm



3. WIRING INPUT

Solid wire: 0.2 - 3.0 mm²

Stranded wire: 0.2 - 3.0 mm²

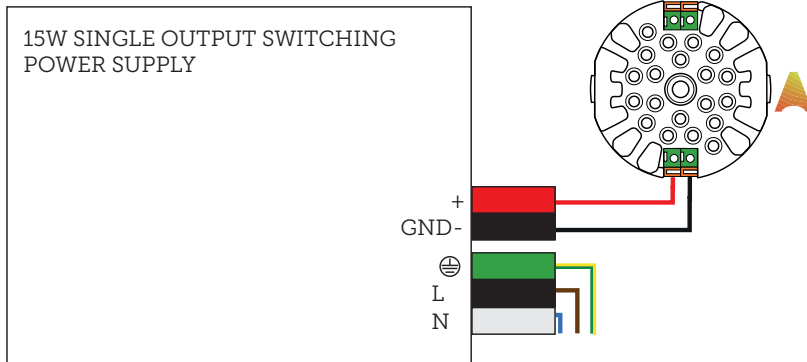
Wire strip length: 9.0 mm

4. WIRING OUTPUT

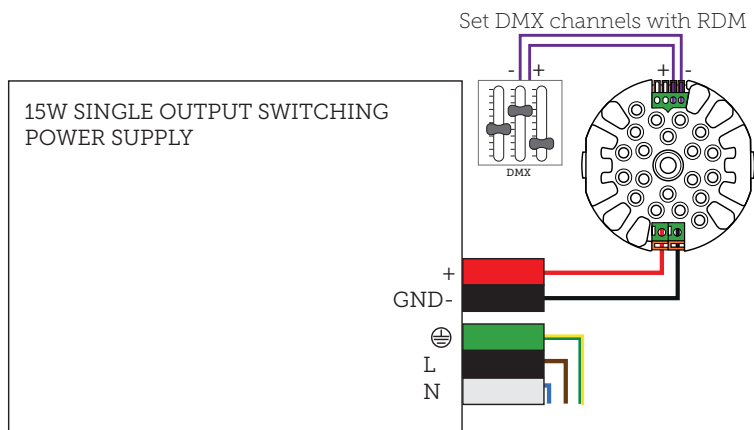
Stranded wire: 0.5 - 1.5 mm²

Wire strip length: 9.0 mm

5. CONNECTED CASAMBI



6. CONNECTED DMX



1. PRODUCT OFFERING

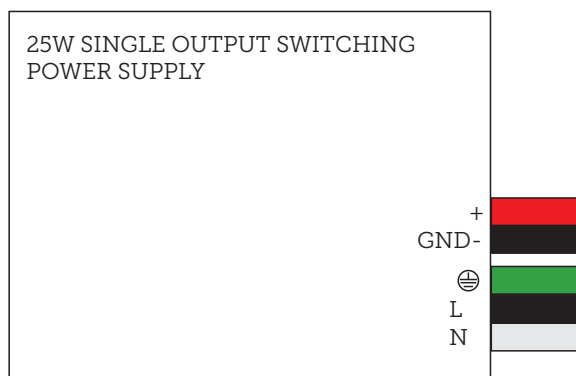
25W SINGLE OUTPUT SWITCHING POWER SUPPLY

2. EXTERNAL DRIVER CASAMBI 20 WATT MECHANICAL DETAILS

Length (L): Typical: 78 mm

Width (W): Typical: 51 mm

Height (H): Typical: 28 mm



3. WIRING INPUT

Solid wire: 0.2 - 3.0 mm²

Stranded wire: 0.2 - 3.0 mm²

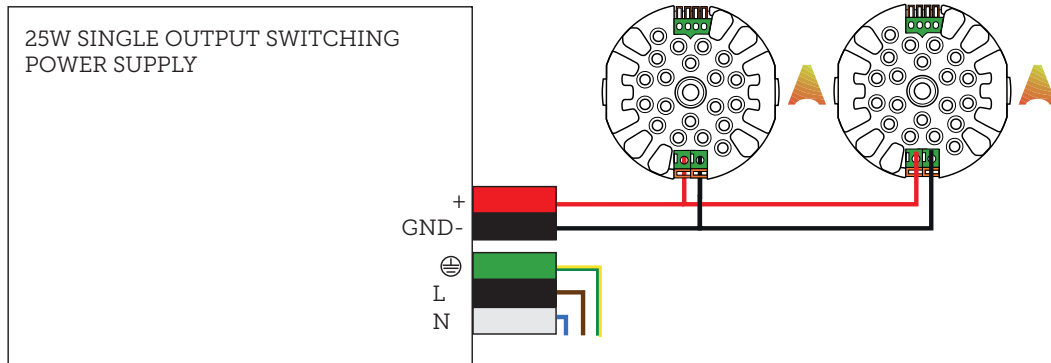
Wire strip length: 9.0 mm

4. WIRING OUTPUT

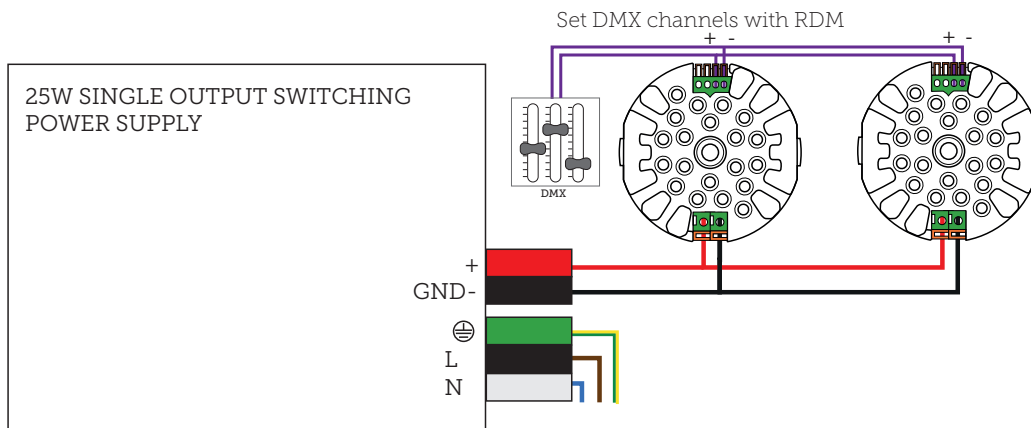
Stranded wire: 0.5 - 1.5 mm²

Wire strip length: 9.0 mm

5. CONNECTED CASAMBI



6. CONNECTED DMX



1. PRODUCT OFFERING

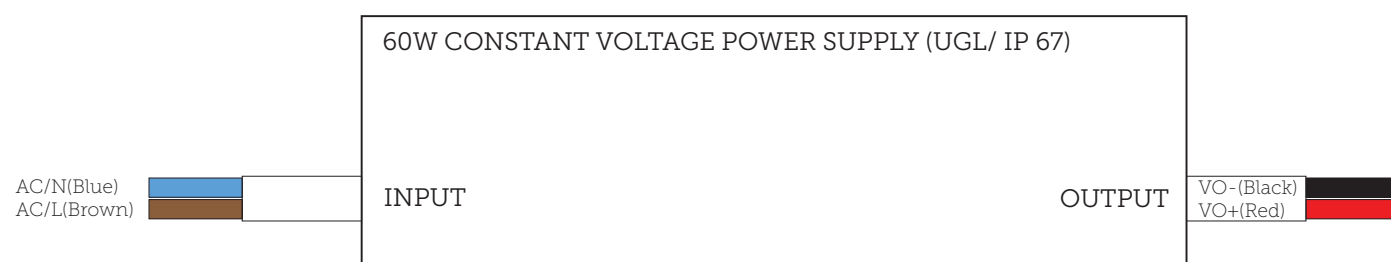
60W CONSTANT VOLTAGE POWER SUPPLY (UGL / IP 67)

2. 60W CONSTANT VOLTAGE POWER SUPPLY (UGL / IP 67)

Length (L): Typical: 162,5 mm

Width (W): Typical: 42,5 mm

Height (H): Typical: 32 mm



3. WIRING INPUT

Solid wire: 0.2 - 3.0 mm²

Stranded wire: 0.2 - 3.0 mm²

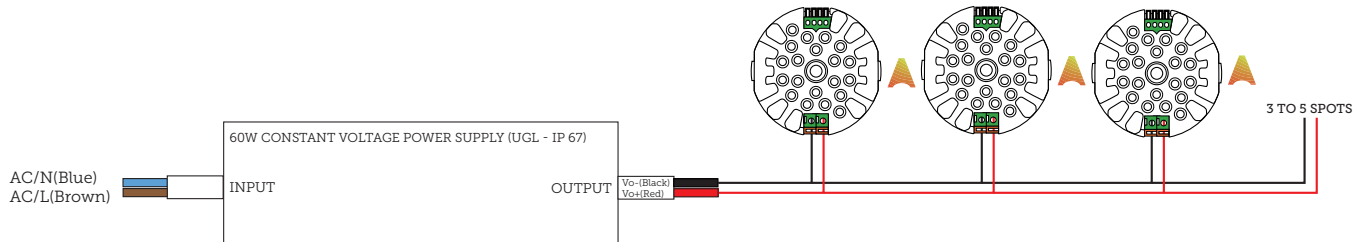
Wire strip length: 9.0 mm

4. WIRING OUTPUT

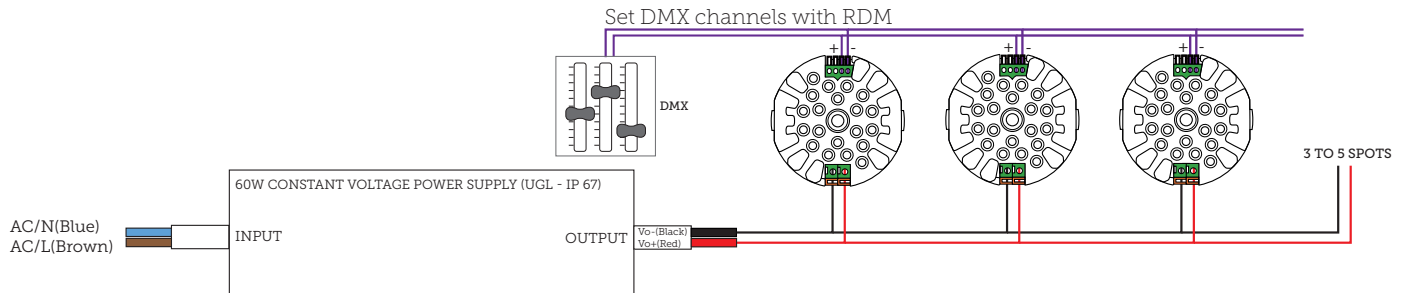
Stranded wire: 0.5 - 1.5 mm²

Wire strip length: 9.0 mm

5. CONNECTED CASAMBI



6. CONNECTED DMX



1. PRODUCT OFFERING

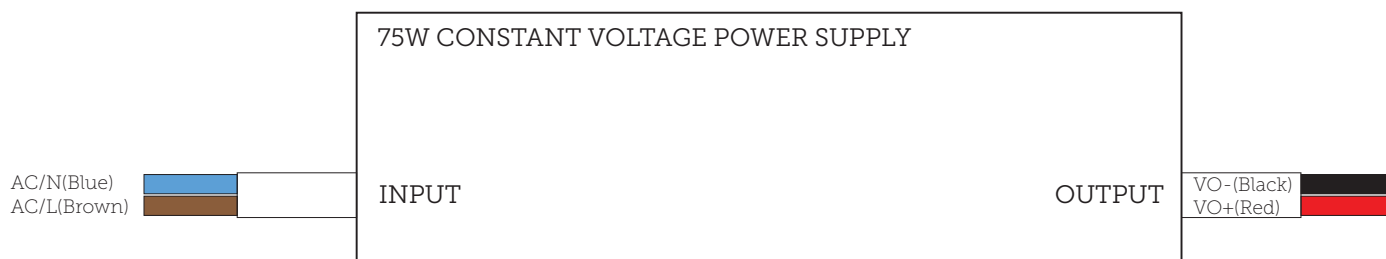
75W CONSTANT VOLTAGE POWER SUPPLY

2. 75W CONSTANT VOLTAGE POWER SUPPLY

Length (L): Typical: 170 mm

Width (W): Typical: 44,5 mm

Height (H): Typical: 29,2 mm



3. WIRING INPUT

Solid wire: 0.2 - 3.0 mm²

Stranded wire: 0.2 - 3.0 mm²

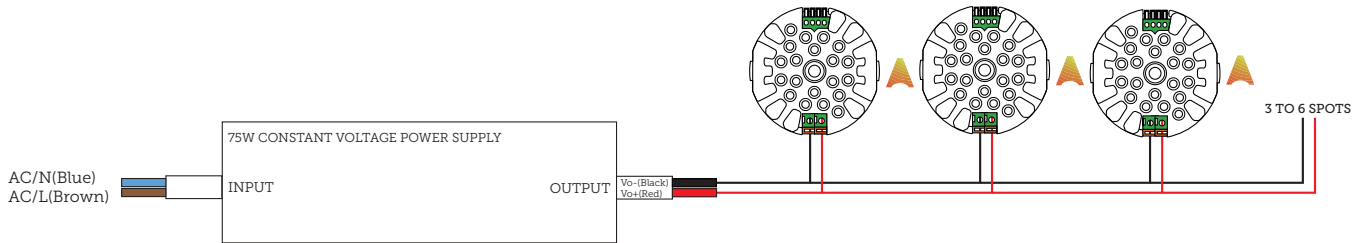
Wire strip length: 9.0 mm

4. WIRING OUTPUT

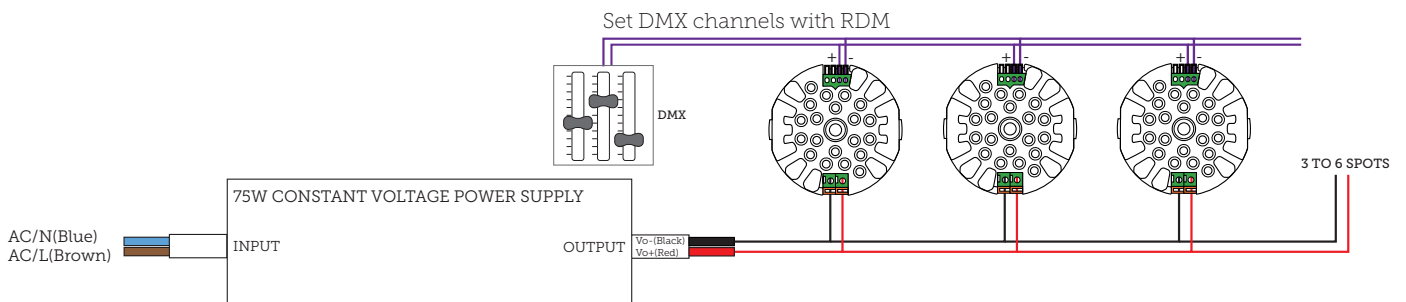
Stranded wire: 0.5 - 1.5 mm²

Wire strip length: 9.0 mm

5. CONNECTED CASAMBI



6. CONNECTED DMX



1. PRODUCT OFFERING

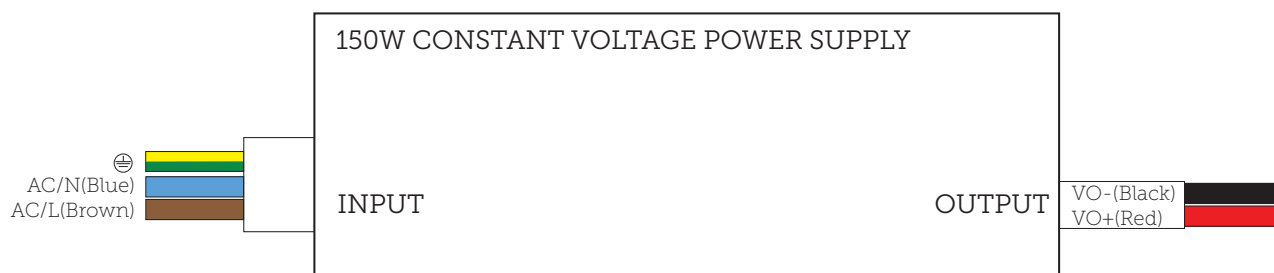
150W CONSTANT VOLTAGE POWER SUPPLY

2. 150W CONSTANT VOLTAGE POWER SUPPLY

Length (L): Typical: 219 mm

Width (W): Typical: 63 mm

Height (H): Typical: 35,5 mm



3. WIRING INPUT

Solid wire: 0.2 - 3.0 mm²

Stranded wire: 0.2 - 3.0 mm²

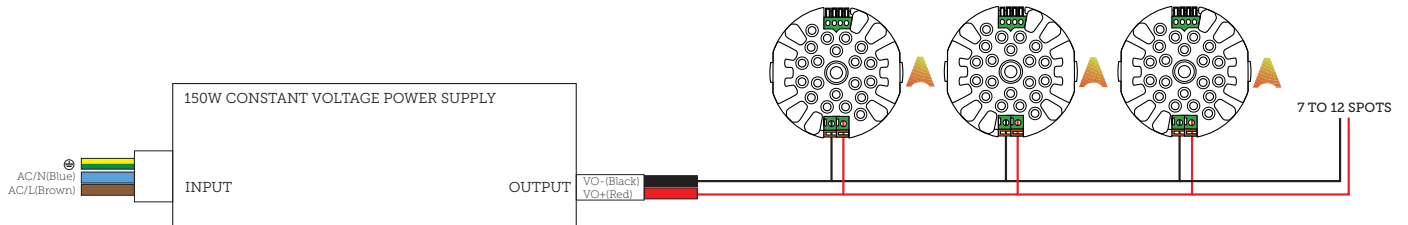
Wire strip length: 9.0 mm

4. WIRING OUTPUT

Stranded wire: 0.5 - 1.5 mm²

Wire strip length: 9.0 mm

5. CONNECTED CASAMBI



6. CONNECTED DMX

