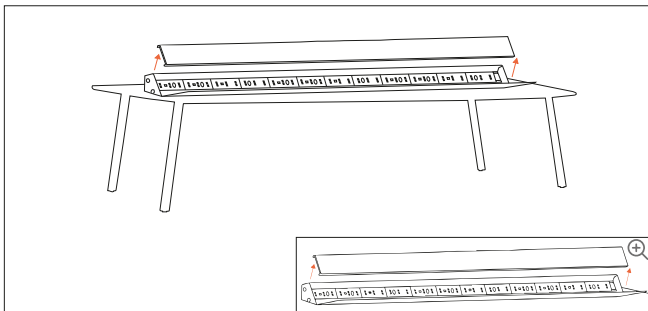




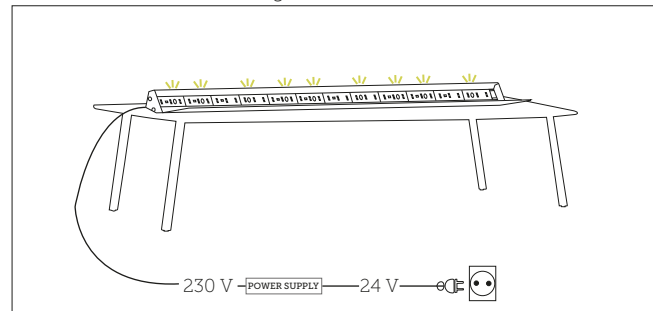
STEP 1

Remove the cover of the indirect wall light



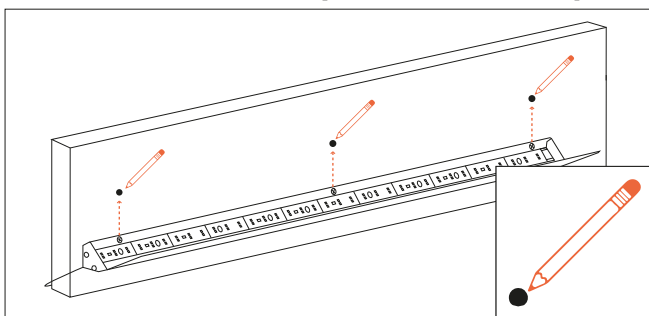
STEP 2

Please test the Powerline before installing it. Connect the Powerline to the supplied power supply and then supply it with power. If there is a defect, please report this immediately to your supplier and do not install the Powerline against the wall.



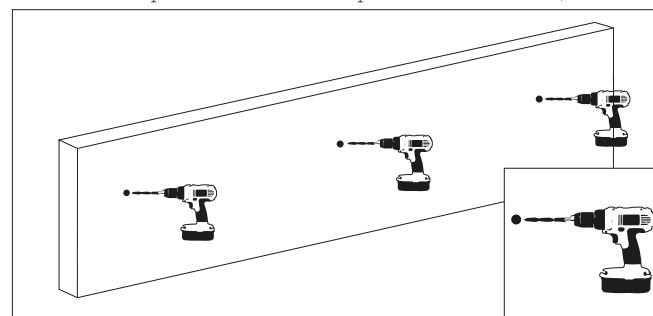
STEP 3

Disconnect the powerline from the power supply when mounting the powerline. Position the indirect wall light against the wall. Then draw the drill holes on the profile on the wall with a pencil.



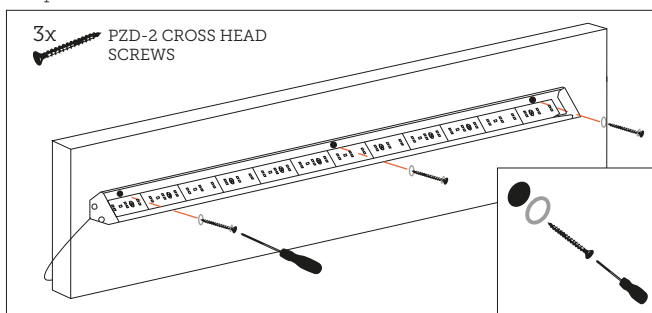
STEP 4

You can now pre-drill the marked points with a 4 mm Ø drill



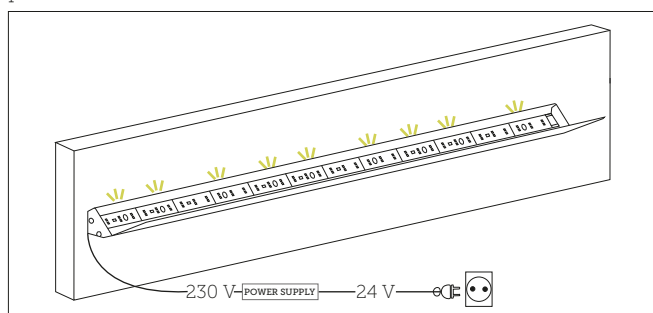
STEP 5

Position the Powerline against the wall. Place the Nylon rings over the supplied screws. Controlled screws the profile to the wall with a hand screwdriver. NOTE: The nylon washers is located between the profile and the screw head



STEP 6

Reconnect the Powerline to the power supply and supply it with power.



STEP 7

Finally place the Powerline cover on the profile and press it firmly.

