



DATASHEET

DUAL WHITE SPOT TUNABLE & WARM DIMMING

CONTENT PAGE

EXTERNAL DRIVER 20 WATT	
-CASAMBI	4
-DALI	6
EXTERNAL DRIVER 50 WATT	
-CASAMBI	7
-DALI	9
-DMX	10
-0-10 VOLT	12

LIGHT ENGINE ORDER NUMBER CONFIGURATOR

Article number: ---

Light engine Beam angle Control options

LIGHT ENGINE	BEAM ANGLE	CONTROL OPTIONS
DUAL =2000K -3000K	20°	E= External driver
WDIM= 2200K - 3000K	40°	C= Internal driver Casambi
		D= Internal driver DMX

DATASHEET

DUAL WHITE SPOT TUNABLE & WARM DIMMING

1. MEASUREMENTS

	SPOT ENGINE	SW	DW/RGB+W
Plaster ring	Ø 55,4 mm	H 70 mm	H 86 mm
Spot engine	Ø 55,4 mm	H 70 mm	H 86 mm
Spring clips	Ø 55,4 mm	H 70 mm	H 86 mm
Surface mounted pin spot	Ø 110 mm	H 120mm x Ø 110mm	H 120 mm x Ø 110 mm
Flange size (spring clips)		1mm x Ø90mm, 1mm x Ø112 mm or custom	1 mm x Ø 90 mm, 1 mm x Ø 112 mm or custom
Drill diameter of flange (spring clips)			Ø 76 mm

2. SPECIFICATIONS

LIGHT SOURCE	VOLTAGE
Light composition	DUAL WHITE & RGB+W
Lumen output	Ca. 300-400 Lumen
Control options	Integrated driver: Casambi, DMX External driver: DALI, Casambi, DMX
Dimming options	Casambi, DMX, DALI
Luminaire type, assembly, adjustable	Ceiling build in, plaster rings, Spring clips, Spot engine, Surface mounted
Dimensions	See technical drawings
Flange	Aluminium
Heat sink	Casting aluminium
Finish / colour	Powder coated - Black, White, Customized, Anodised
Protection marking compliance	IP20, CE
Warranty	2 years
Produced in	The Netherlands
Specials	Customized version, Light colour, colour Rendering
Colour rendering index	CRI 85-95
Lifespan	70% after 50.000H
Internal driver	Voltage: 24 VDC, Power: 12W max
External drive	Current: 950mA, Power: 12W max

3. MAXIMUM REMOTE MOUNTING DISTANCE OF LED LOAD

AWG 20 (0.52 mm²) - 14 m

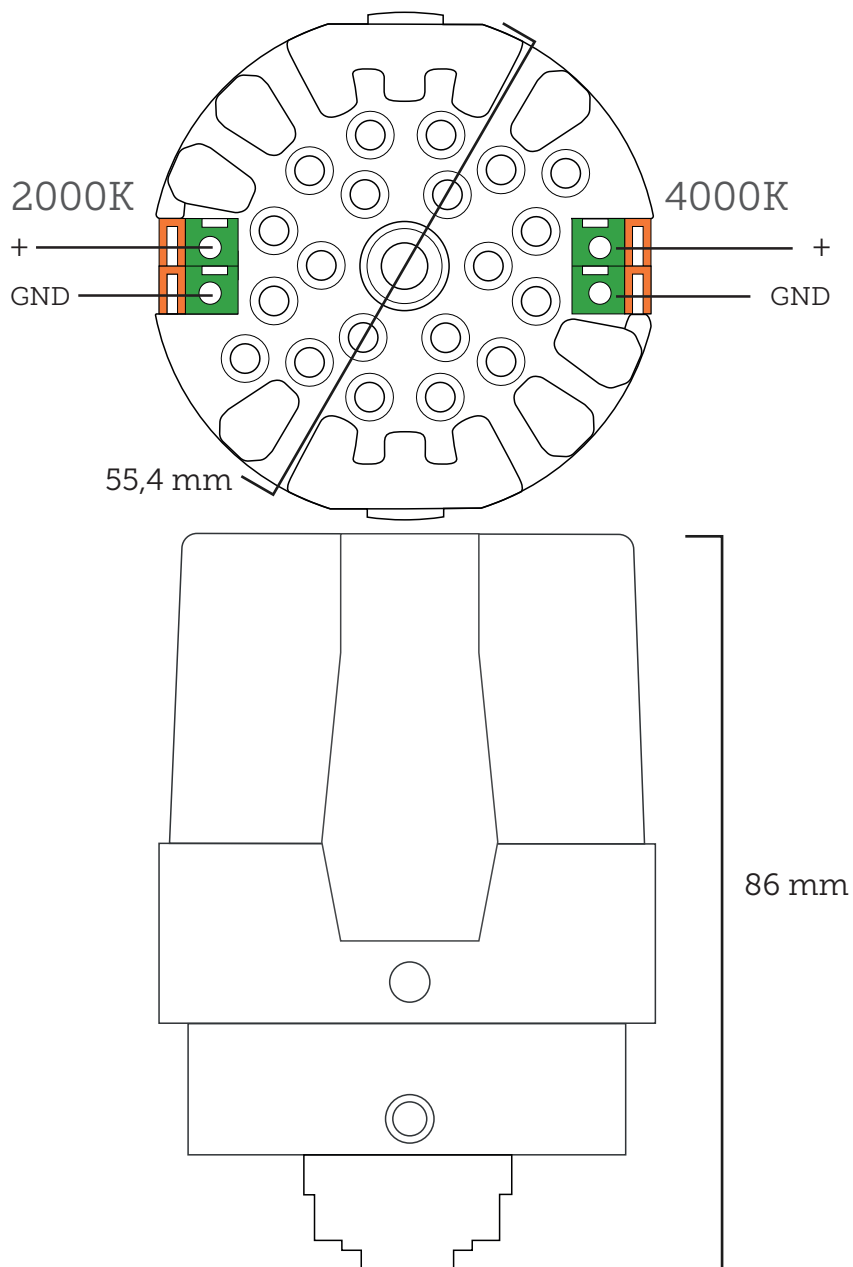
AWG 19 (0.65 mm²) - 18 m

AWG 18 (0.82 mm²) - 22 m

AWG 17 (1.04 mm²) - 28 m

AWG 16 (1.31 mm²) - 36 m

4. MECHANICAL DETAILS



5. WIRING ("+" & "GND")

Stranded wire: 0.2 - 1.5 mm²

Wire strip length: 6.0 - 10.0 mm

1. PRODUCT OFFERING

External driver 20 WATT CASAMBI (ONLY AVAILABLE FOR WARM DIMMING SPOT)

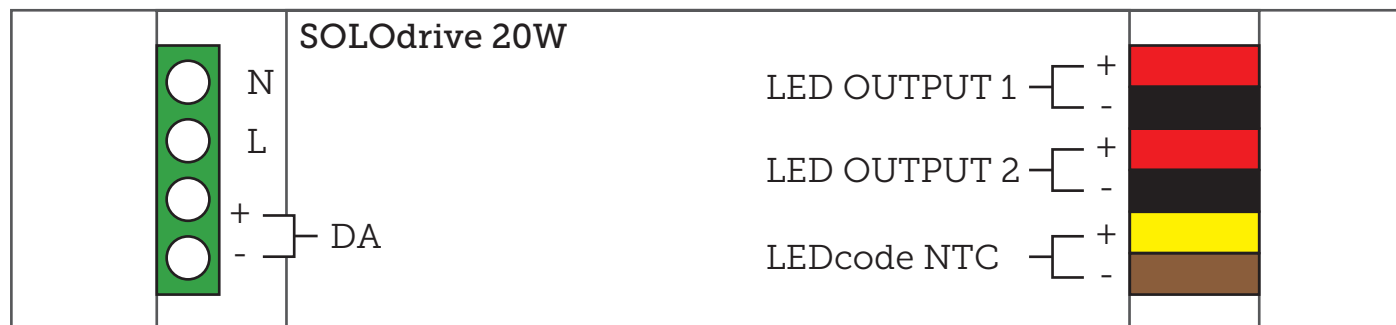
ART. NR. 99-09-004

2. EXTERNAL DRIVER CASAMBI 20 WATT MECHANICAL DETAILS

Length (L): Typical: 153.1 mm, maximum: 153.6 mm

Width (W): Typical: 76.2 mm, maximum: 76.7 mm

Height (H): Typical: 30.1 mm, maximum: 30.6 mm



3. WIRING INPUT

Solid wire: 0.2 - 3.0 mm²

Stranded wire: 0.2 - 3.0 mm²

Wire strip length: 9.0 mm

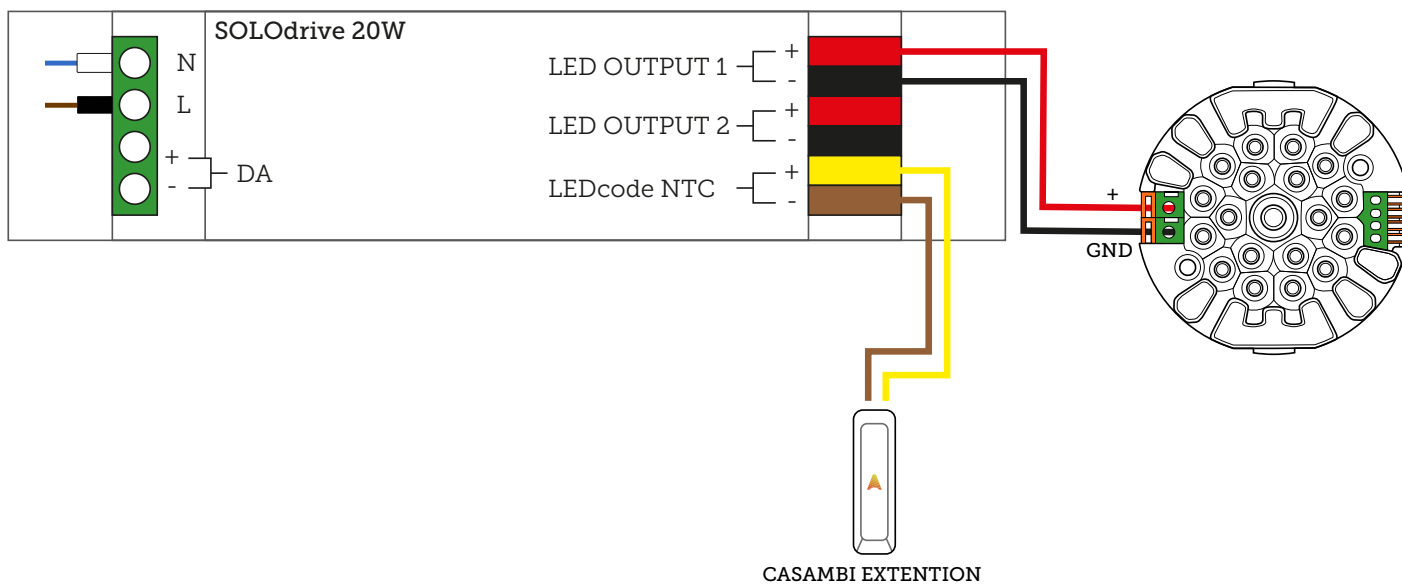
4. WIRING OUTPUT

Stranded wire: 0.5 - 1.5 mm²

Wire strip length: 9.0 mm



5. CONNECTING THE SPOT TO THE DRIVER

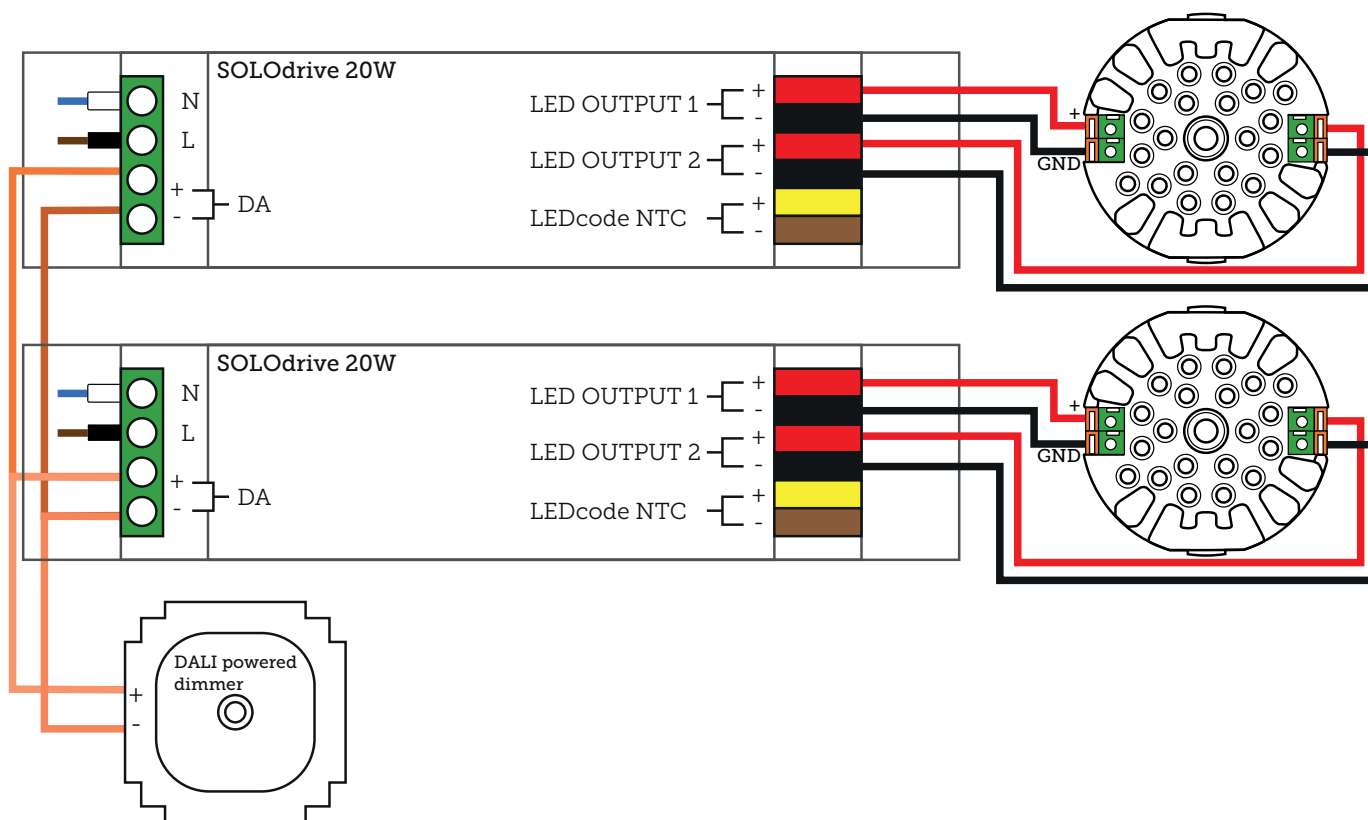


1. PRODUCT OFFERING (ONLY AVAILABLE FOR WARM DIMMING SPOT)

External driver 20 WATT DALI

ART. NR. 99-09-004

2. CONNECTING THE SPOT IN SERIES



1. PRODUCT OFFERING

External driver 50 WATT CASAMBI (AVAILABLE FOR WARM DIMMING & TUNABLE WHITE SPOT)

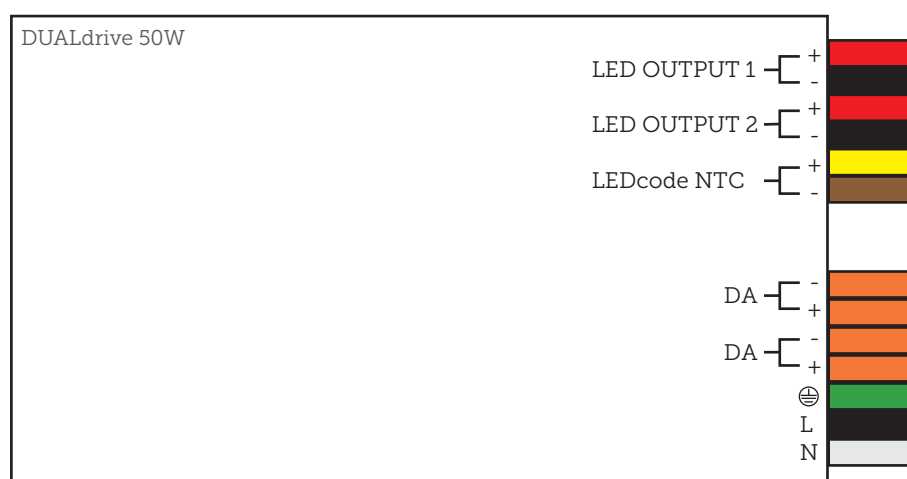
ART. NR. 99-09-012

2. EXTERNAL DRIVER CASAMBI 50 WATT MECHANICAL DETAILS

Length (L): Typical: 153.1 mm / 6.03 in, maximum: 153.6 mm / 6.05 in

Width (W): Typical: 76.2 mm / 3.00 in, maximum: 76.7 mm / 3.02 in

Height (H): Typical: 30.1 mm / 1.19 in, maximum: 30.6 mm / 1.20 in



3. WIRING INPUT

Solid wire: 0.5 - 1.5 mm²

Stranded wire: 0.5 - 1.5 mm²

Wire strip length: 9.0 mm

4. WIRING OUTPUT

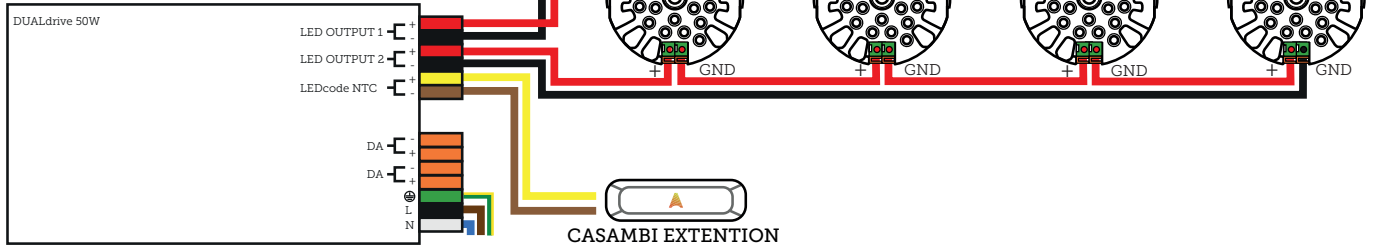
Stranded wire: 0.5 - 1.5 mm²

Wire strip length: 9.0 mm

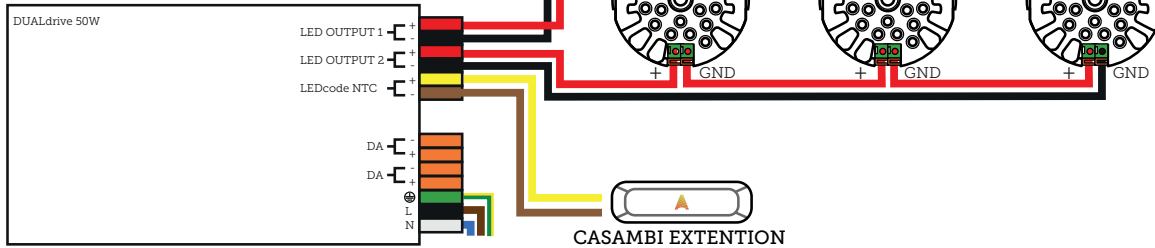


5. CONNECTING THE SPOT IN SERIES

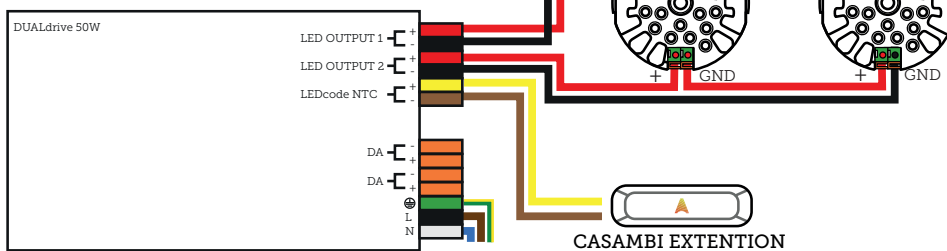
Option 1



Option 2



Option 3

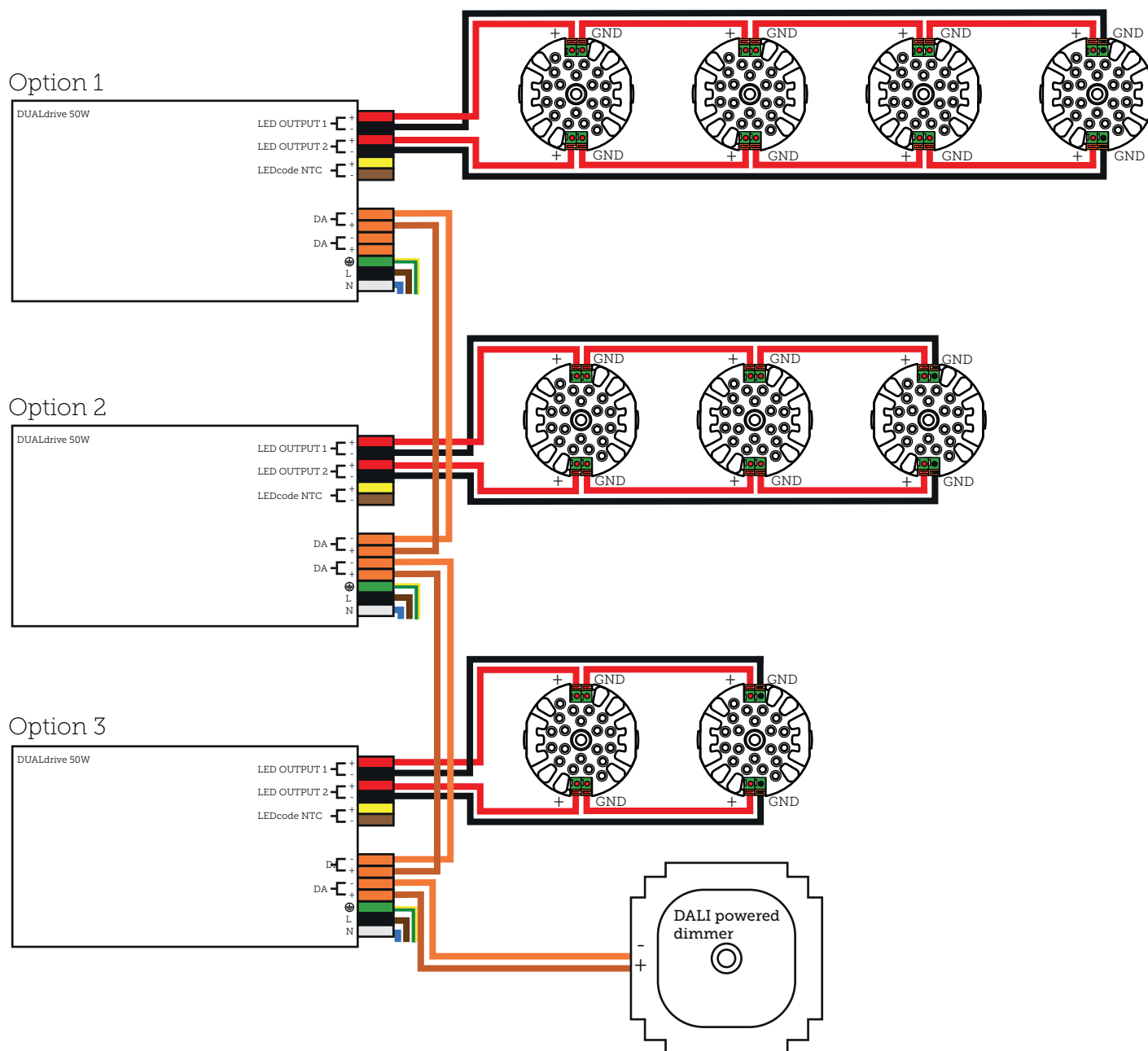


1. PRODUCT OFFERING

External driver 50 WATT DALI (AVAILABLE FOR WARM DIMMING & TUNABLE WHITE SPOT)

ART. NR. 99-09-012

2. CONNECTING THE SPOT IN SERIES



1. PRODUCT OFFERING

EXTERNAL DRIVER 50 WATT DMX (ONLY AVAILABLE FOR TUNABLE WHITE SPOT)

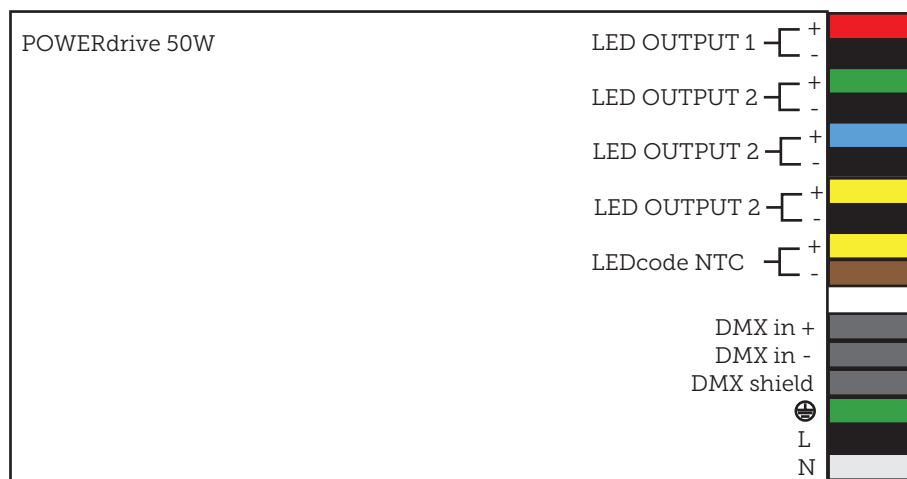
ART. NR. 99-09-021

2. EXTERNAL DRIVER CASAMBI 50 WATT MECHANICAL DETAILS

Length (L): Typical: 153.1 mm, maximum: 153.6 mm

Width (W): Typical: 76.2 mm, maximum: 76.7 mm

Height (H): Typical: 30.1 mm, maximum: 30.6 mm



3. WIRING INPUT

Solid wire: 0.5 - 1.5 mm²

Stranded wire: 0.5 - 1.5 mm²

Wire strip length: 9.0 mm

4. WIRING OUTPUT

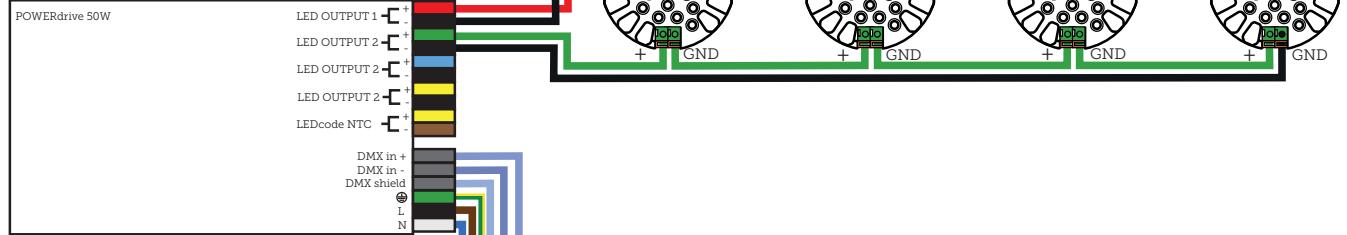
Stranded wire: 0.5 - 1.5 mm²

Wire strip length: 9.0 mm

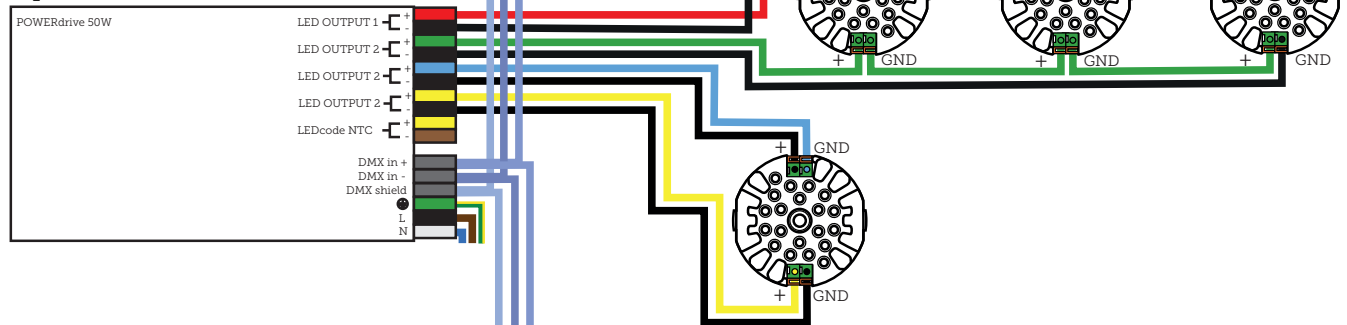


5. CONNECTING THE SPOT IN SERIES

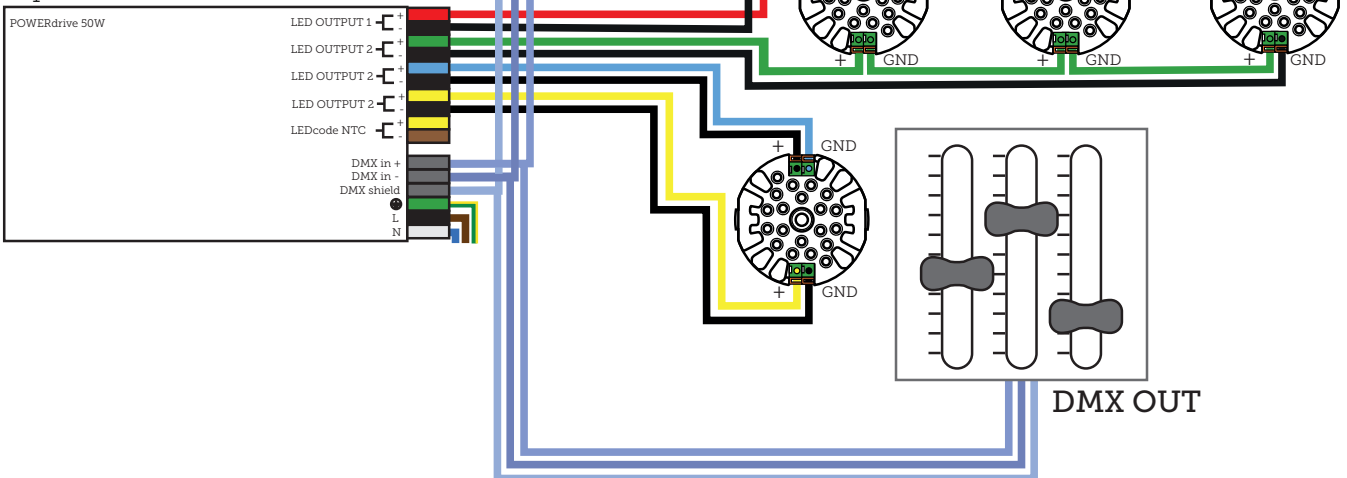
Option 1



Option 2



Option 3



1. PRODUCT OFFERING

EXTERNAL DRIVER 0 - 10 VOLT (ONLY AVAILABLE FOR WARM DIMMING SPOT)

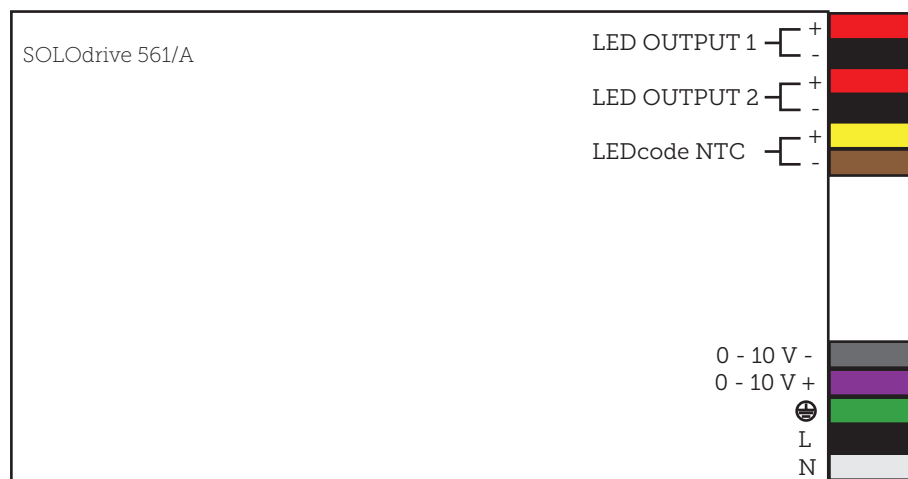
ART. NR. 99-09-013

2. EXTERNAL DRIVER 0 - 10 VOLT MECHANICAL DETAILS

Length (L): Typical: 153.1 mm, maximum: 153.6 mm

Width (W): Typical: 76.2 mm, maximum: 76.7 mm

Height (H): Typical: 30.1 mm, maximum: 30.6 mm



3. WIRING INPUT

Solid wire: 0.5 - 1.5 mm²

Stranded wire: 0.5 - 1.5 mm²

Wire strip length: 9.0 mm

4. WIRING OUTPUT

Stranded wire: 0.5 - 1.5 mm²

Wire strip length: 9.0 mm



5. CONNECTING THE SPOT IN SERIES

