



DATASHEET

LED SPHERE - BASIC, ULTIMATE, PREMIUM

CONTENT	PAGE
LED SPHERE - BASIC, ULTIMATE, PREMIUM	1
LED SPHERE - PLUG IN POWER SUPPLY	4
25 W SINGLE OUTPUT POWER SUPPLY - INTERNAL DRIVER	5
75 W SINGLE OUTPUT POWER SUPPLY - INTERNAL DRIVER	7
150 W SINGLE OUTPUT POWER SUPPLY - INTERNAL DRIVER	9
240W SINGLE OUTPUT POWER SUPPLY - INTERNAL DRIVER	11

LIGHT ENGINE ORDER NUMBER CONFIGURATOR

Article number: ----

Light engine
Control options
Luminaire ring
Colour wiring
Length wiring

LIGHT ENGINE	CONTROL OPTIONS	LUMINAIRE RING	COLOUR WIRING	LENGTH
S-DW= Dual white	D = DMX (Loxone / KNX)	1000 = Standard White	T = Semi transparent	3000 mm
S-DW-RGB+W = Dual white 2000K-5000K + RGB+W (2700K)	C = Casambi	1001 = Wooden ring oak	W = White	5000 mm
S-RGBW = RGB+W (2700K) + RGB+W (2700K)		1004 = No ring	B = Black	10000 mm
		1005 = Customized	C = Customized	15000 mm



DATASHEET

LED SPHERE - BASIC, ULTIMATE, PREMIUM

1. MEASUREMENTS

Dimensions	140 X 140 X 140 mm
Weight	775 Grams
Material	PC / PE / Aluminium
Finish	Matte Finish
Colour	White
Ingress protection rating	IP20

2. SPECIFICATIONS

	BASIC	PREMIUM	ULTIMATE
Light composition	Dual white / dual white	Dual white / RGB+W	RGB+W / RGB+W
Lumen output	Ca. 1721 Lumen	Ca. 1721 Lumen	Ca. 1721 Lumen
Colour rendering index	CRI 85-95		
Luminaire type, assembly, adjustable			
Protection marking compliance	IP20, CE		
Warranty	2 years		
Produced in	The Netherlands		
Specials	Customized version, Light colour, colour Rendering		
Lifespan	70% after 50.000H		
Internal driver	Voltage: 24 VDC, Power: 12W max		
Dimensions	See technical drawings		
Dimming options	Casambi, DMX		
Control options	Internal driver: Casambi, DMX		

3. MAXIMUM REMOTE MOUNTING DISTANCE OF LED LOAD

AWG 20 (0.52 mm²) - 14 m

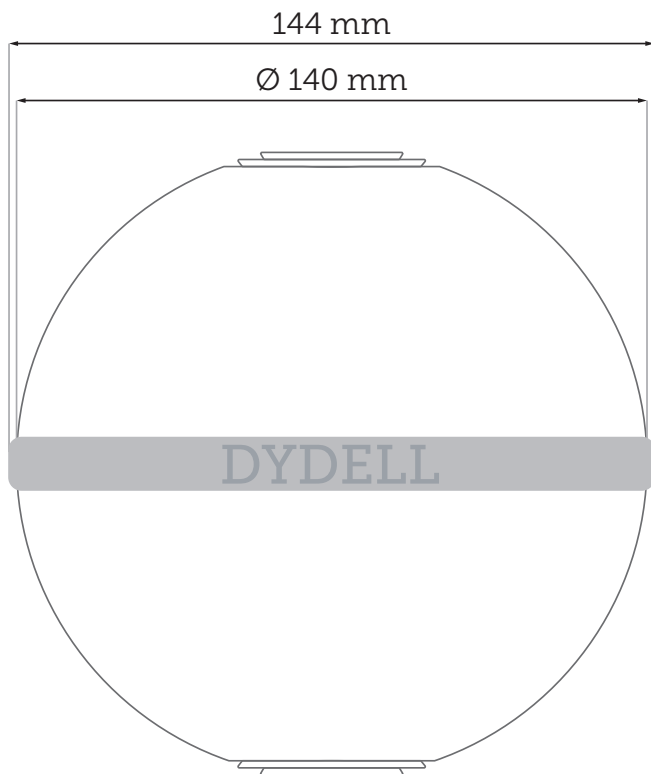
AWG 19 (0.65 mm²) - 18 m

AWG 18 (0.82 mm²) - 22 m

AWG 17 (1.04 mm²) - 28 m

AWG 16 (1.31 mm²) - 36 m

4. MECHANICAL DETAILS



5. WIRING ("+" & "GND")

Stranded wire: 0.2 - 1.5 mm²

Wire strip length: 8.0 mm

1. PRODUCT OFFERING

PLUG IN POWER SUPPLY

ART. NR. S-PA-PLUG

2. PLUG IN POWER SUPPLY MECHANICAL DETAILS

A): Length (L): Typical: 90 mm, maximum: 90 mm

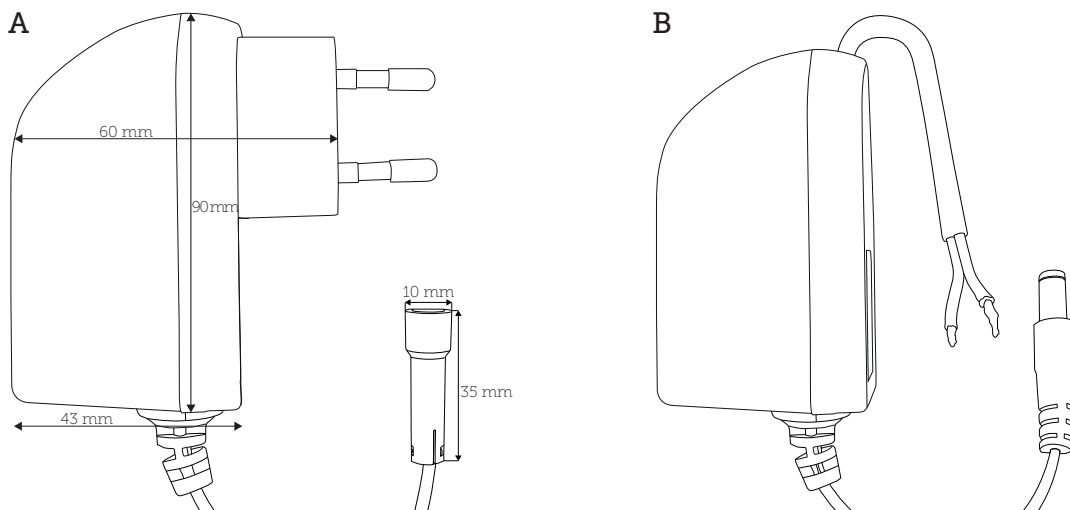
A): Width (W): Typical: 34 mm, maximum: 34 mm

A): Height (H): Typical: 43 mm, maximum: 43 mm

B): Length (L): Typical: 75 mm, maximum: 75 mm

B): Width (W): Typical: 38 mm, maximum: 38 mm

B): Height (H): Typical: 43 mm, maximum: 43 mm



3. CONTROL OPTIONS

CASAMBI

DMX

4. ATTENTION

This power supply is suitable for one (1) LED sphere

1. PRODUCT OFFERING

25W SINGLE OUTPUT SWITCHING POWER SUPPLY

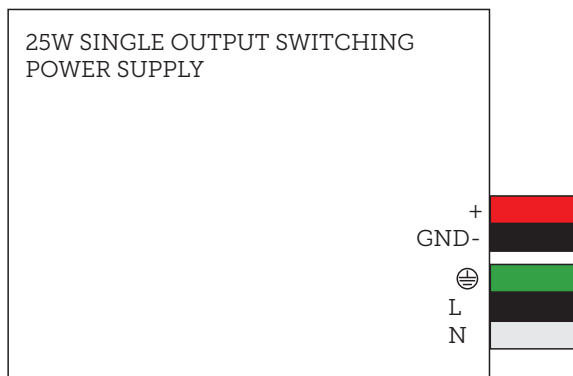
ART. NR. RS-25-24

2. 25W SINGLE OUTPUT SWITCHING POWER SUPPLY

Length (L): Typical: 78 mm

Width (W): Typical: 51 mm

Height (H): Typical: 28 mm



3. WIRING INPUT

Solid wire: 0.2 - 3.0 mm²

Stranded wire: 0.2 - 3.0 mm²

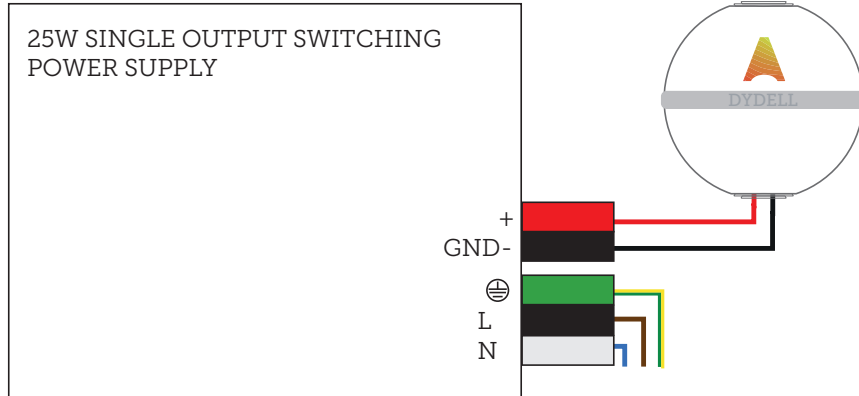
Wire strip length: 9.0 mm

4. WIRING OUTPUT

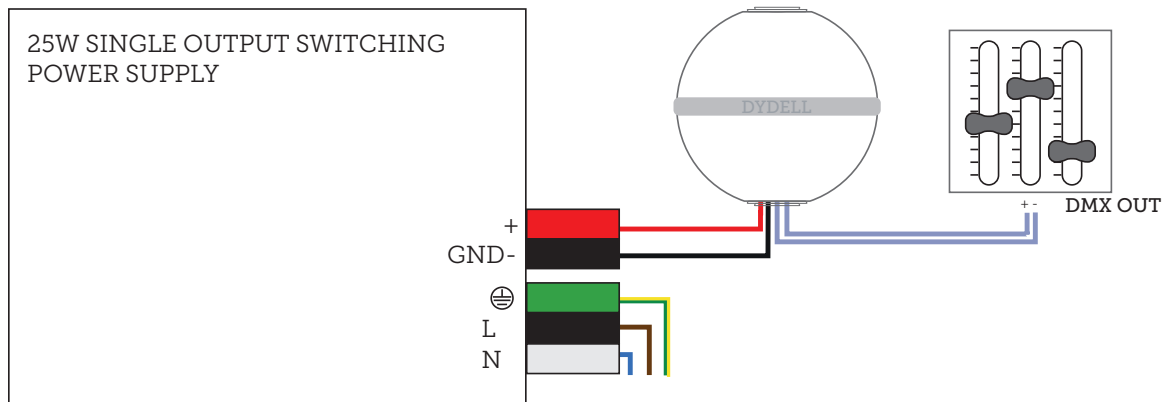
Stranded wire: 0.5 - 1.5 mm²

Wire strip length: 9.0 mm

5. CONNECTED PARALLEL CASAMBI



6. CONNECTED PARALLEL DMX



1. PRODUCT OFFERING

48~75W CONSTANT VOLTAGE POWER SUPPLY

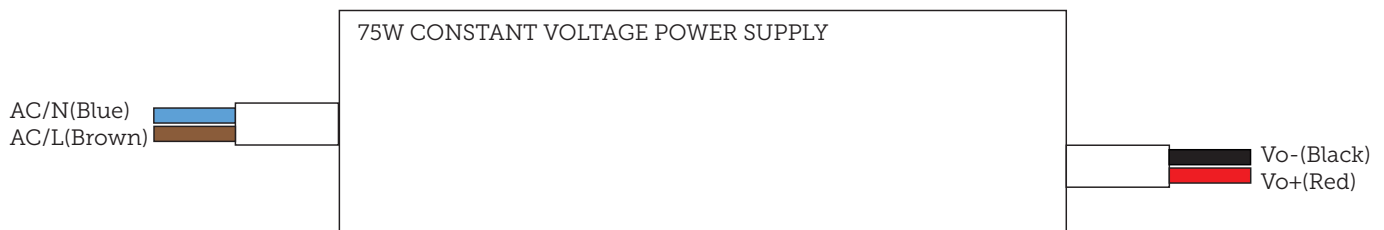
ART. NR. ELG 75-24

2. 48 ~75W CONSTANT VOLTAGE POWER SUPPLY

Length (L): Typical: 180 mm

Width (W): Typical: 63 mm

Height (H): Typical: 35,5 mm



3. WIRING INPUT

Solid wire: 0.2 - 3.0 mm²

Stranded wire: 0.2 - 3.0 mm²

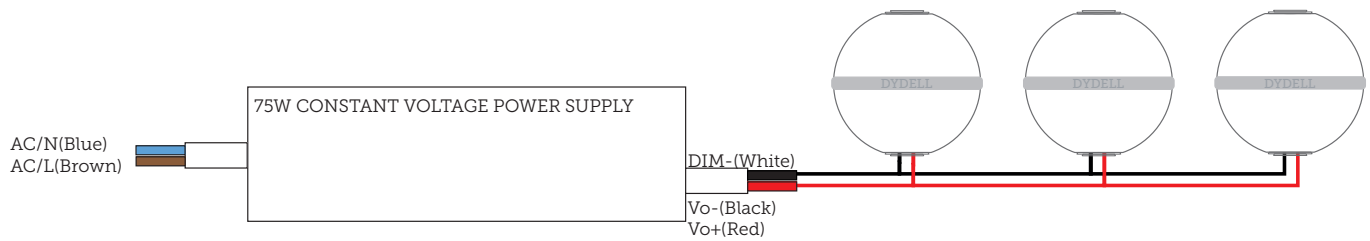
Wire strip length: 9.0 mm

4. WIRING OUTPUT

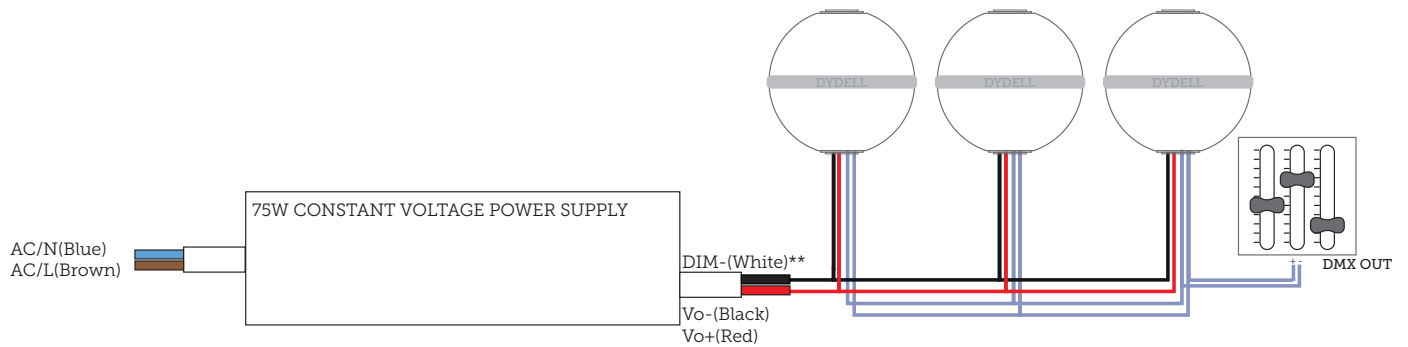
Stranded wire: 0.5 - 1.5 mm²

Wire strip length: 9.0 mm

5. CONNECTED PARALLEL CASAMBI



6. CONNECTED PARALLEL DMX



1. PRODUCT OFFERING

84~150W CONSTANT VOLTAGE POWER SUPPLY

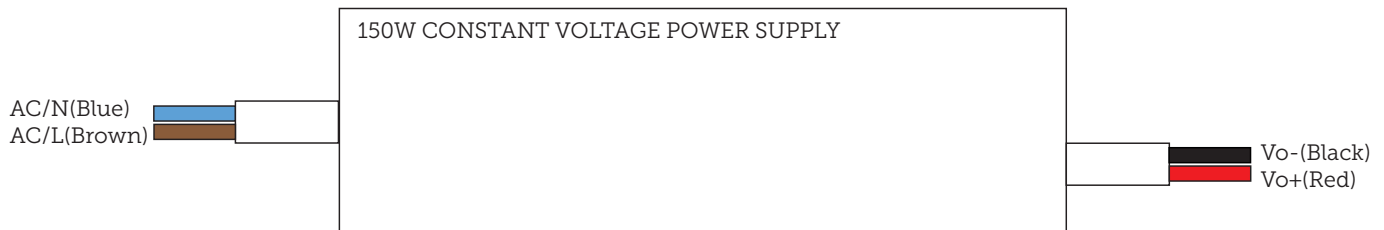
ART. NR. 99-09-211 ELG 150-2

2. 84 ~150W CONSTANT VOLTAGE POWER SUPPLY

Length (L): Typical: 219 mm

Width (W): Typical: 63 mm

Height (H): Typical: 35,5 mm



3. WIRING INPUT

Solid wire: 0.2 - 3.0 mm²

Stranded wire: 0.2 - 3.0 mm²

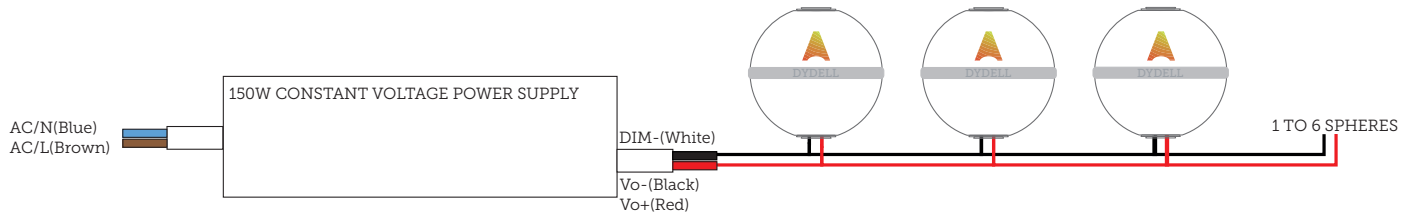
Wire strip length: 9.0 mm

4. WIRING OUTPUT

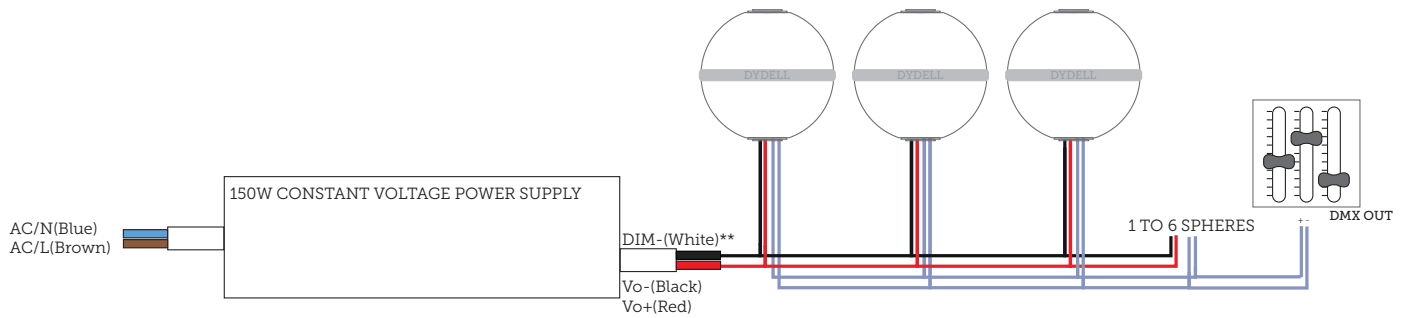
Stranded wire: 0.5 - 1.5 mm²

Wire strip length: 9.0 mm

5. CONNECTED PARALLEL CASAMBI



6. CONNECTED PARALLEL DMX



1. PRODUCT OFFERING

240W CONSTANT VOLTAGE POWER SUPPLY

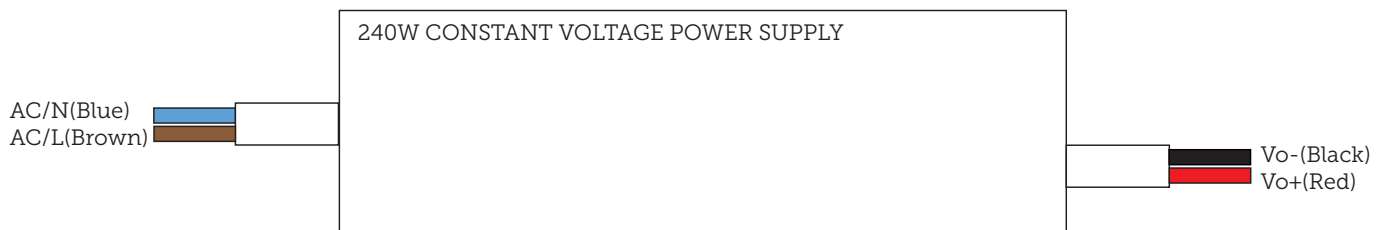
ART. NR.

2. 84 ~150W CONSTANT VOLTAGE POWER SUPPLY

Length (L): Typical: 219 mm

Width (W): Typical: 63 mm

Height (H): Typical: 35,5 mm



3. WIRING INPUT

Solid wire: 0.2 - 3.0 mm²

Stranded wire: 0.2 - 3.0 mm²

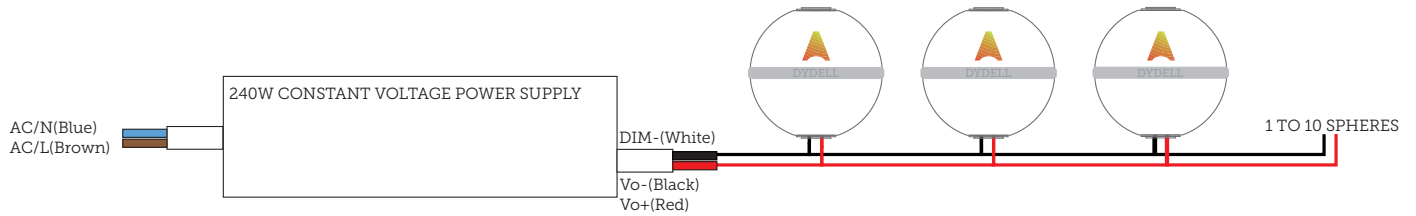
Wire strip length: 9.0 mm

4. WIRING OUTPUT

Stranded wire: 0.5 - 1.5 mm²

Wire strip length: 9.0 mm

5. CONNECTED PARALLEL CASAMBI



6. CONNECTED PARALLEL DMX

