



INSTRUCTION MANUAL

MOUNTING SPECIFICATIONS FOR SURFACE MOUNTED SPOT

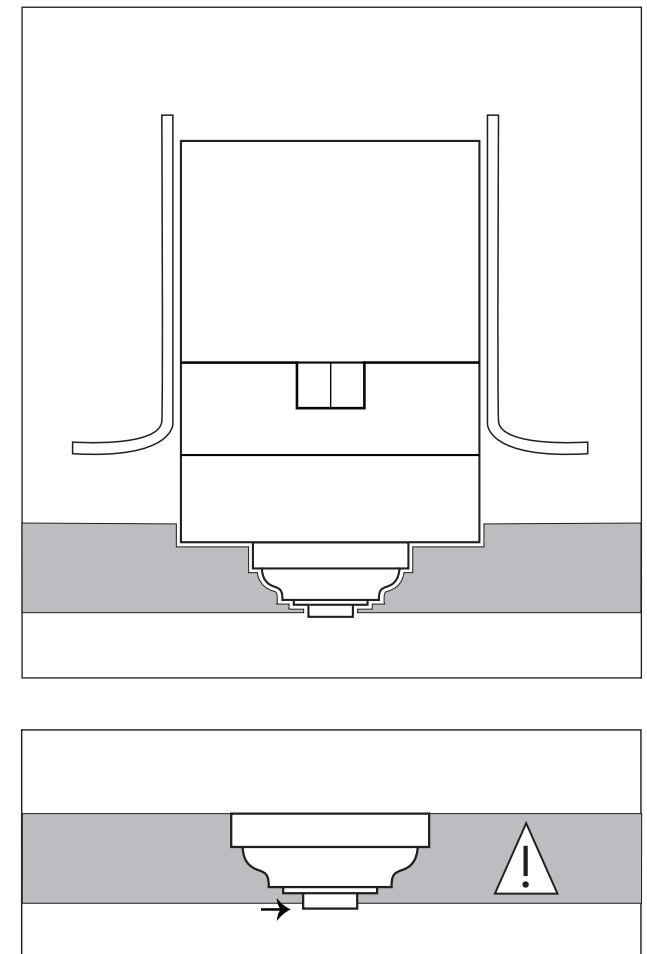
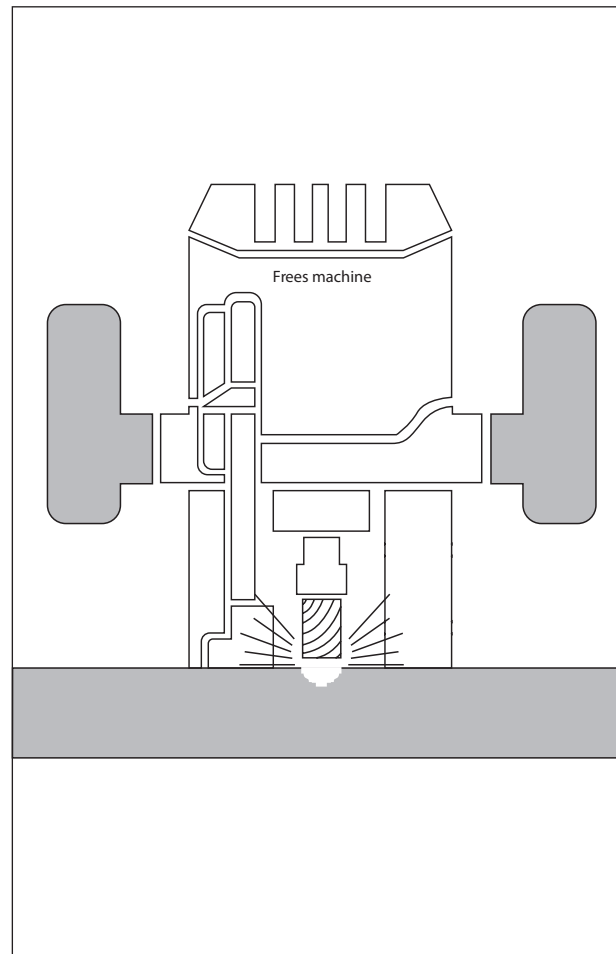
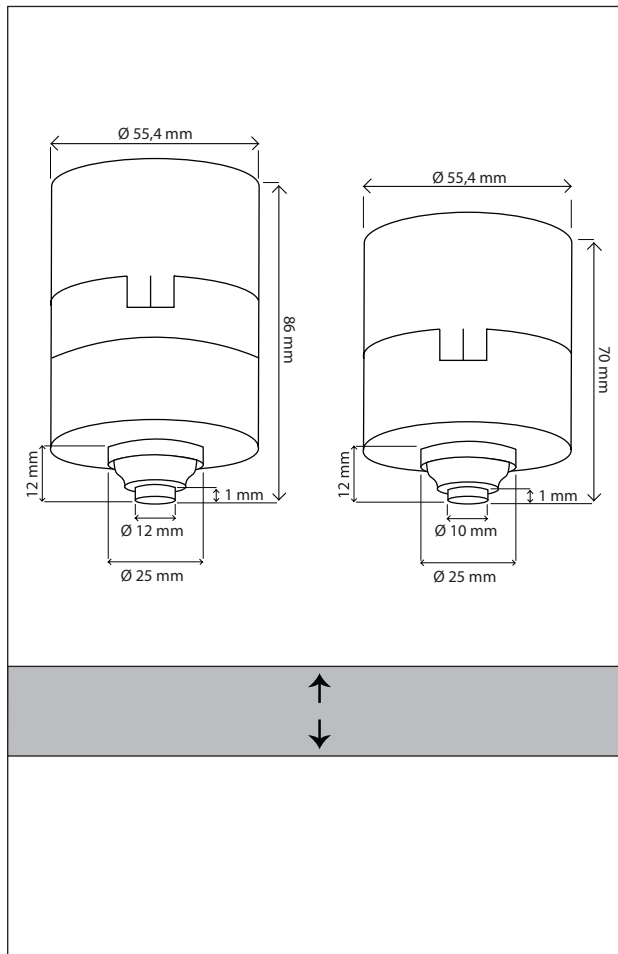
STEP 1

- Measure the thickness of the ceiling material in which the spot will be processed.

STEP 2

- Cut away part of the sheet material, so that the spot engine in the material disappears.

ATTENTION: Make sure the top of the little hat from the spot just below it sheet material.



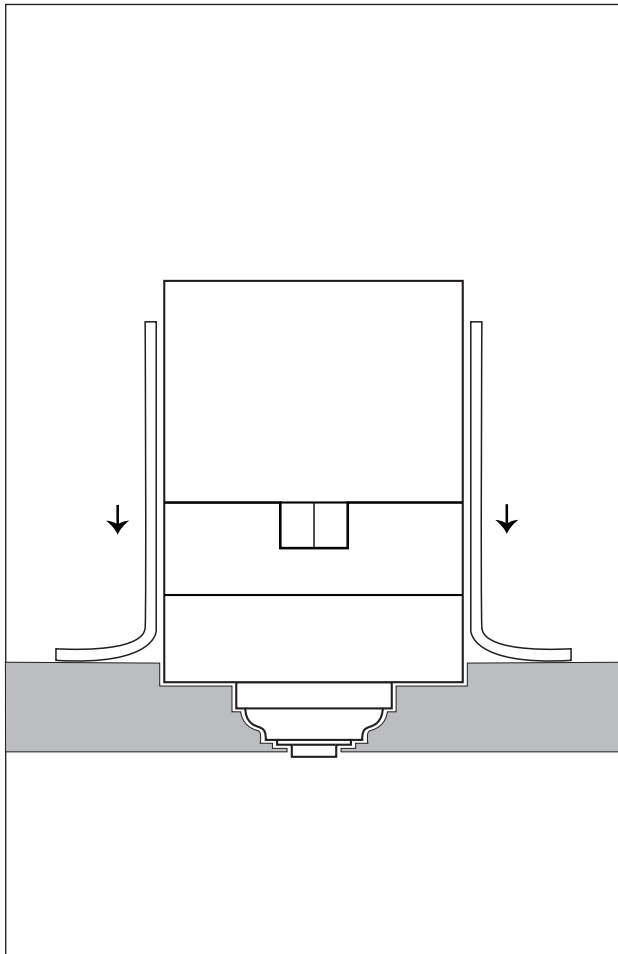


INSTRUCTION MANUAL

MOUNTING SPECIFICATIONS FOR SURFACE MOUNTED SPOT

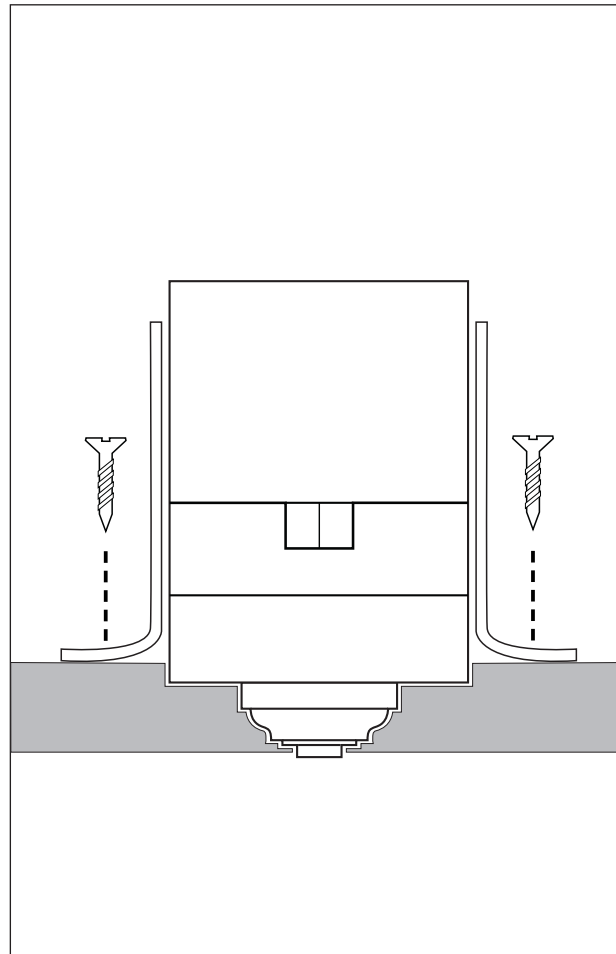
STEP 4

- Fix the spot above the ceiling by adjusting the side legs to the thickness of the sheet material.



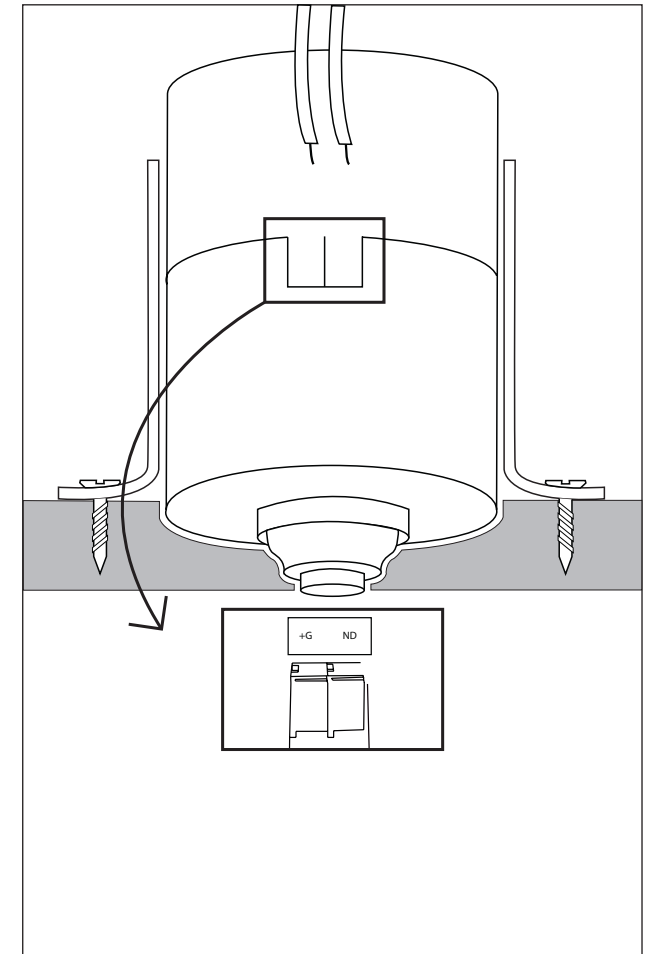
STEP 5

- Fasten the side legs with screws.



STEP 6

- Connect the "GND" and "+" to the plug of the spot. Press the orange part down to secure.
- To connect more spots in series, check our datasheet via the qr code below or go to our website





COMPATIBILITY TABLE

MOUNTING CONSTRUCTION FOR LED-SPHERE

DRIVERS AND ENGINES

	EXTERNAL DRIVER				INTERNAL DRIVER	
	CASAMBI	DMX	DALI	0-10 VOLT	CASAMBI	DMX
GLARELESS SPOT SINGLE WHITE	X	X	X	X		
GLARELESS SPOT DUAL WHITE/ WARM DIMMING	X		X		X	X
GLARELESS SPOT DUAL WHITE / TUNABLE WHITE	X	X	X		X	X
GLARELESS SPOT RGB+W					X	X
LED-SPHERE BASIC DUAL WHITE/ DUAL WHITE					X	X
LED-SPHERE PREMIUM RGB+W/ DUAL WHITE					X	X
LED-SPHERE ULTIMATE RGB+W/ RGB+W					X	X
POWERLINE SINGLE WHITE	X				X	X
POWERLINE DUAL WHITE / WARM DIMMING					X	
POWERLINE DUAL WHITE/ TUNABLE WHITE					X	X
POWERLINE RGBW+W					X	X
OUTDOOR ENGINE					X	

MANUALS

WWW.DYDELL.COM

Want to know more about the wiring and connecting the engine to the driver? Scan the QR code below to go to the instruction page on our website. Is the QR code not working? Copy this link: <https://www.dydeLL.com/nl/video-instructies-handleidingen/> into your browser.

