



# DATASHEET

## RGB+W SPOT & DUAL WHITE SPOT - INTERNAL DRIVER

### CONTENT

### PAGE

RGB+W & DUAL WHITE SPOT	3
15W POWER SUPPLY	4
25W POWER SUPPLY	6
75W POWER SUPPLY	8
150W POWER SUPPLY	10

### LIGHT ENGINE ORDER NUMBER CONFIGURATOR

Article number: ---  
  
Light engine      Beam angle      Control options

LIGHT ENGINE	BEAM ANGLE	CONTROL OPTIONS
DUAL =2000K -3000K	20°	C= Internal driver Casambi
WDIM= 2200K - 3000K	40°	D= Internal driver DMX
RGBW = RGB+W (2700K)		

# DATASHEET

## RGB+W SPOT & DUAL WHITE SPOT - INTERNAL DRIVER

### 1. MEASUREMENTS

	SPOT ENGINE	SW	DW/RGB+W
Plaster ring	Ø 55,4 mm	H 70 mm	H 86 mm
Spot engine	Ø 55,4 mm	H 70 mm	H 86 mm
Spring clips	Ø 55,4 mm	H 70 mm	H 86 mm
Surface mounted pin spot	Ø 110 mm	H 120mm x Ø 110mm	H 120 mm x Ø 110 mm
Flange size (spring clips)		1mm x Ø90mm, 1mm x Ø112 mm or custom	1 mm x Ø 90 mm, 1 mm x Ø 112 mm or custom
Drill diameter of flange (spring clips)			Ø 76 mm

### 2. SPECIFICATIONS

LIGHT SOURCE	VOLTAGE
Light composition	DUAL WHITE & RGB+W
Lumen output	Ca. 300-400 Lumen
Control options	Integrated driver: Casambi, DMX External driver: DALI, Casambi, DMX
Dimming options	Casambi, DMX, DALI
Luminaire type, assembly, adjustable	Ceiling build in, plaster rings, Spring clips, Spot engine, Surface mounted
Dimensions	See technical drawings
Flange	Aluminium
Heat sink	Casting aluminium
Finish / colour	Powder coated - Black, White, Customized, Anodised
Protection marking compliance	IP20, CE
Warranty	2 years
Produced in	The Netherlands
Specials	Customized version, Light colour, colour Rendering
Colour rendering index	CRI 85-95
Lifespan	70% after 50.000H
Internal driver	Voltage: 24 VDC, Power: 12W max
External drive	Current: 950mA, Power: 12W max

### 3. MAXIMUM REMOTE MOUNTING DISTANCE OF LED LOAD

AWG 20 (0.52 mm<sup>2</sup>) - 14 m

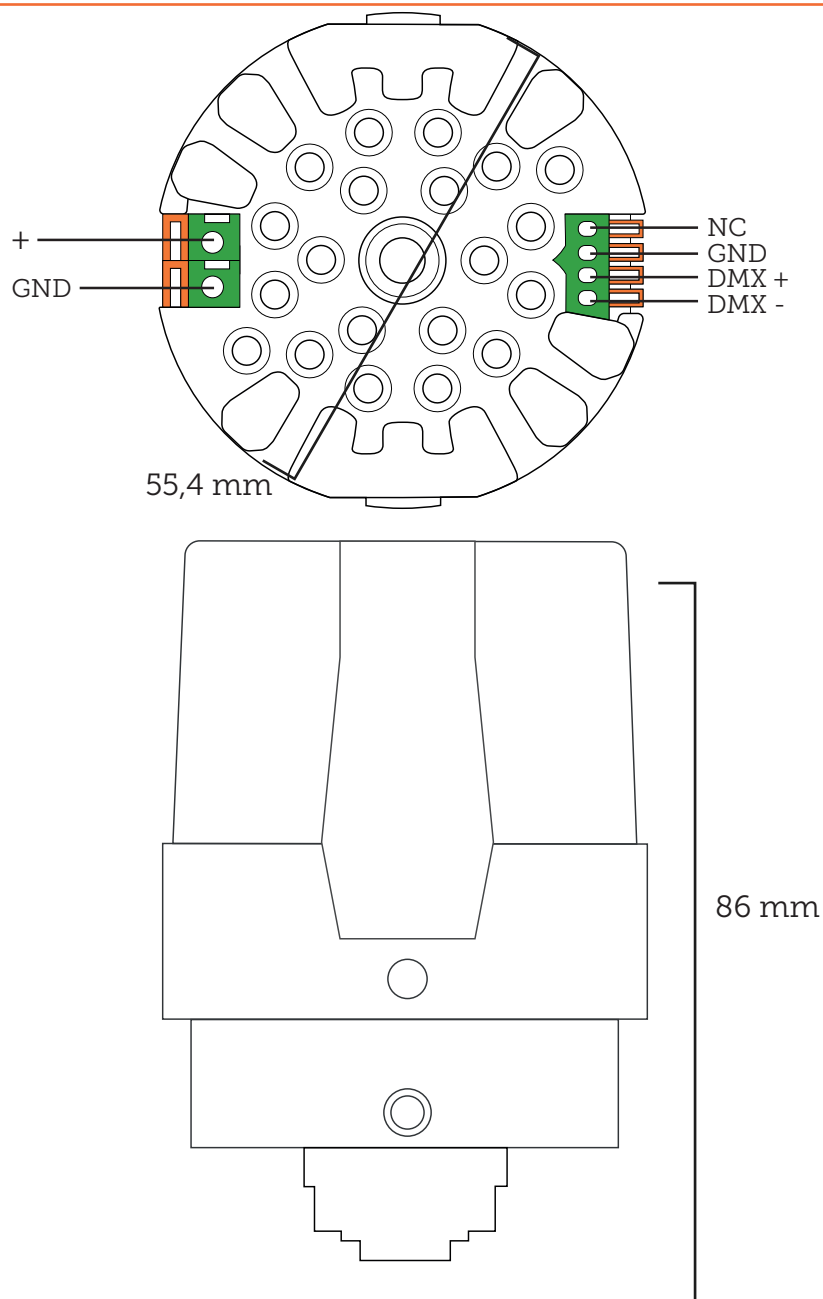
AWG 19 (0.65 mm<sup>2</sup>) - 18 m

AWG 18 (0.82 mm<sup>2</sup>) - 22 m

AWG 17 (1.04 mm<sup>2</sup>) - 28 m

AWG 16 (1.31 mm<sup>2</sup>) - 36 m

### 4. MECHANICAL DETAILS



### 5. WIRING ("+" & "GND")

Stranded wire: 0.2 - 1.5 mm<sup>2</sup>

Wire strip length: 6.0 - 10.0 mm

### 1. PRODUCT OFFERING

15W SINGLE OUTPUT SWITCHING POWER SUPPLY

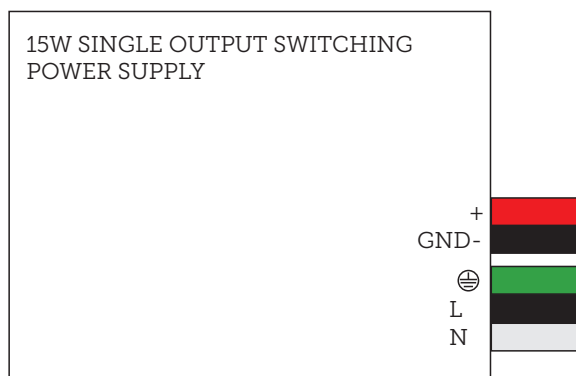
ART NR

### 2. 15W SINGLE OUTPUT SWITCHING POWER SUPPLY

Length (L): Typical: 62.5 mm

Width (W): Typical: 51 mm

Height (H): Typical: 28 mm



### 3. WIRING INPUT

Solid wire: 0.2 - 3.0 mm<sup>2</sup>

Stranded wire: 0.2 - 3.0 mm<sup>2</sup>

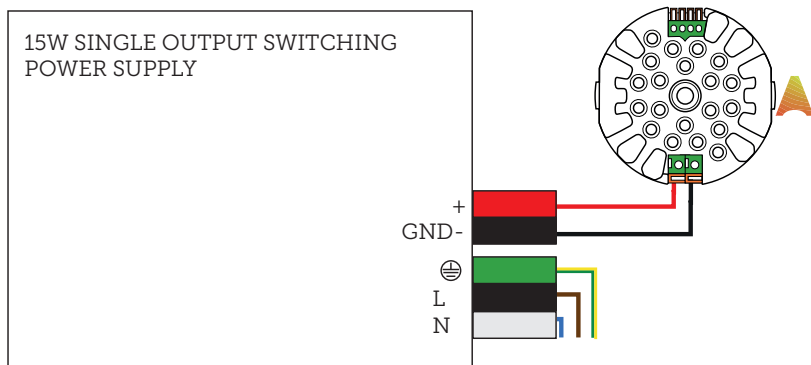
Wire strip length: 9.0 mm

### 4. WIRING OUTPUT

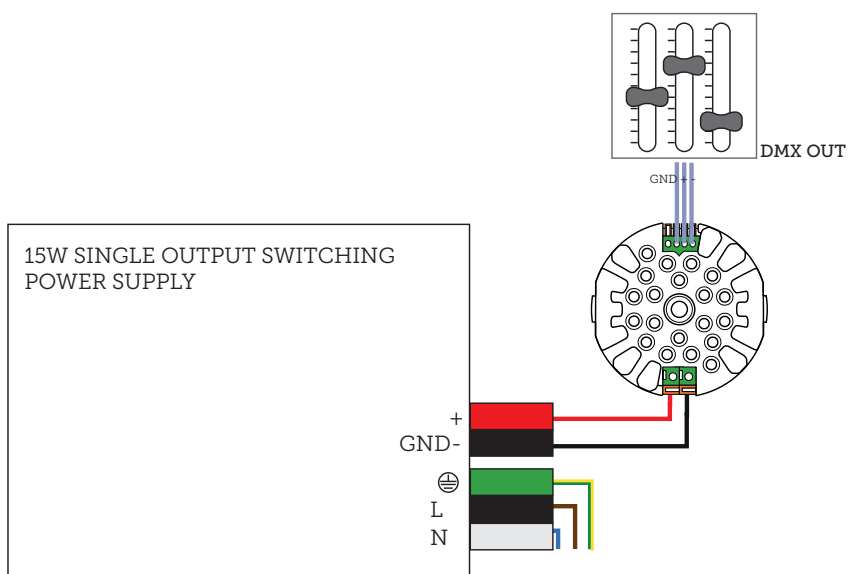
Stranded wire: 0.5 - 1.5 mm<sup>2</sup>

Wire strip length: 9.0 mm

### 5. CONNECTED PARALLEL CASAMBI



### 6. CONNECTED PARALLEL DMX



### 1. PRODUCT OFFERING

---

25W SINGLE OUTPUT SWITCHING POWER SUPPLY

---

ART NR

---

### 2. 25W SINGLE OUTPUT SWITCHING POWER SUPPLY

---

Length (L): Typical: 78 mm

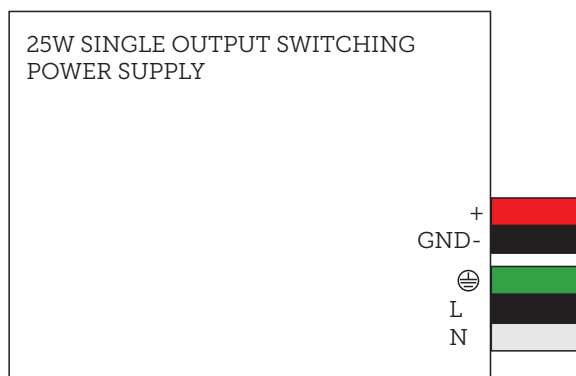
---

Width (W): Typical: 51 mm

---

Height (H): Typical: 28 mm

---



### 3. WIRING INPUT

---

Solid wire: 0.2 - 3.0 mm<sup>2</sup>

---

Stranded wire: 0.2 - 3.0 mm<sup>2</sup>

---

Wire strip length: 9.0 mm

---

### 4. WIRING OUTPUT

---

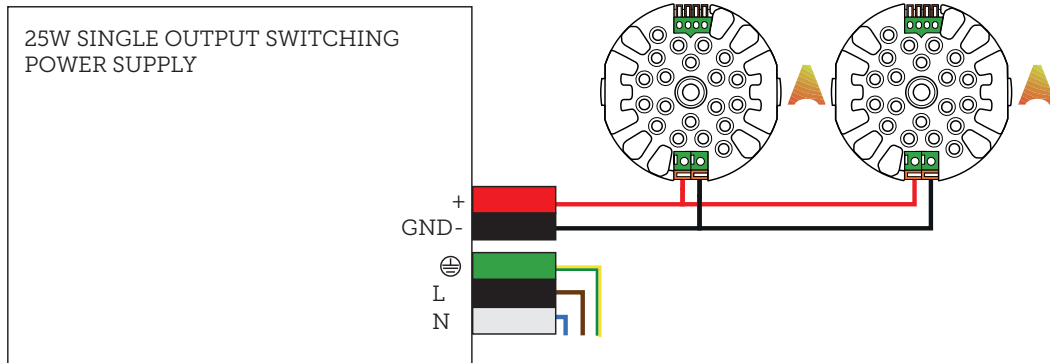
Stranded wire: 0.5 - 1.5 mm<sup>2</sup>

---

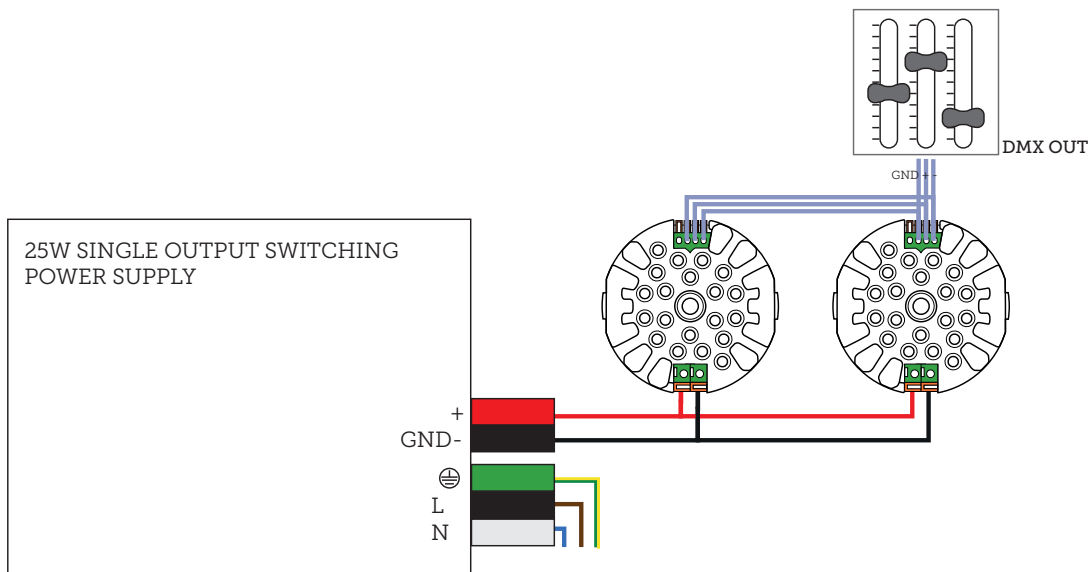
Wire strip length: 9.0 mm

---

### 5. CONNECTED PARALLEL CASAMBI



### 6. CONNECTED PARALLEL DMX



### 1. PRODUCT OFFERING

48~75W CONSTANT VOLTAGE POWER SUPPLY

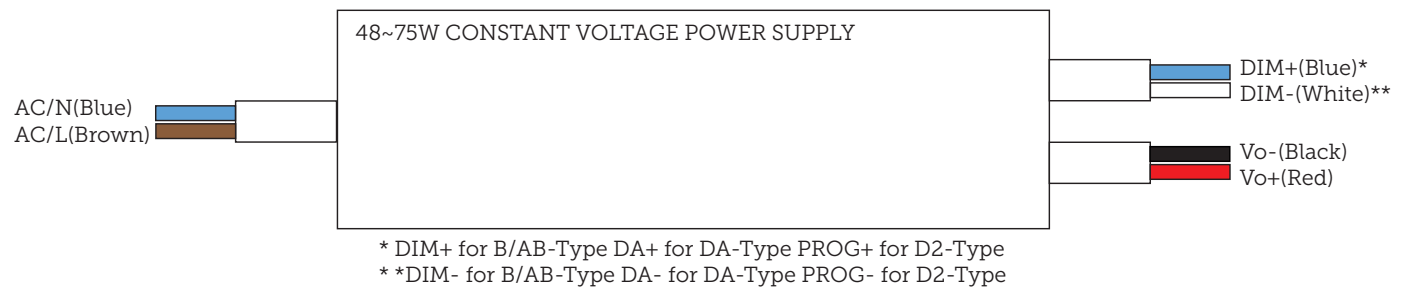
ART NR

### 2. 48 ~75W CONSTANT VOLTAGE POWER SUPPLY

Length (L): Typical: 180 mm

Width (W): Typical: 63 mm

Height (H): Typical: 35,5 mm



### 3. WIRING INPUT

Solid wire: 0.2 - 3.0 mm<sup>2</sup>

Stranded wire: 0.2 - 3.0 mm<sup>2</sup>

Wire strip length: 9.0 mm

### 4. WIRING OUTPUT

Stranded wire: 0.5 - 1.5 mm<sup>2</sup>

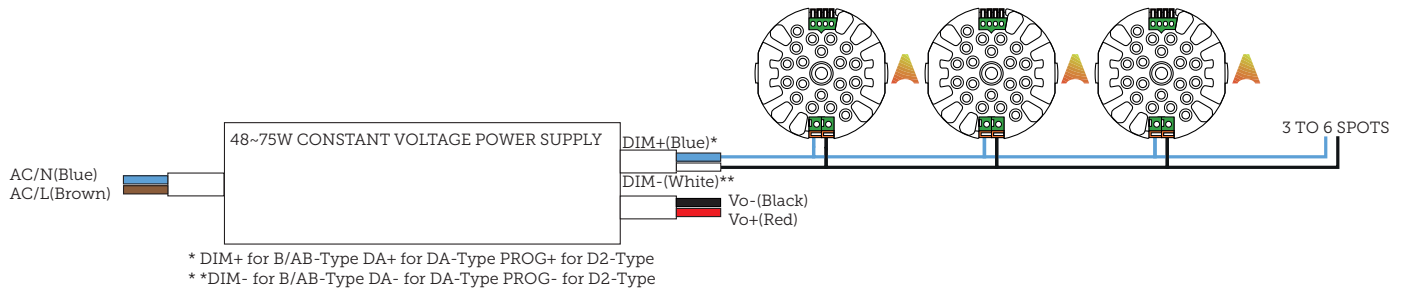
Wire strip length: 9.0 mm



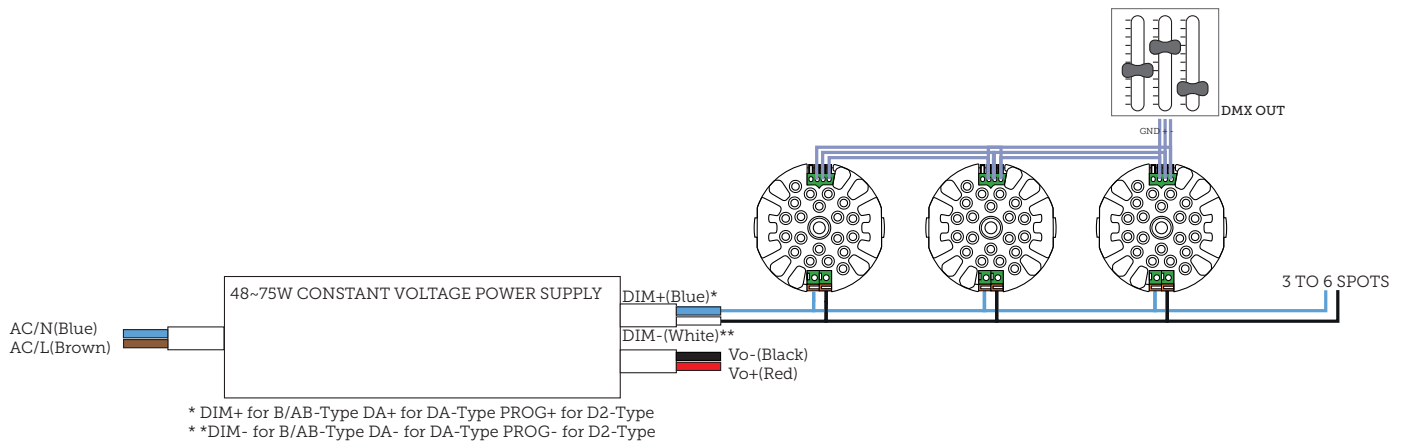
# DATASHEET

## RGB+W SPOT & DUAL WHITE SPOT - INTERNAL DRIVER

### 5. CONNECTED PARALLEL CASAMBI



### 6. CONNECTED PARALLEL DMX



### 1. PRODUCT OFFERING

84~150W CONSTANT VOLTAGE POWER SUPPLY

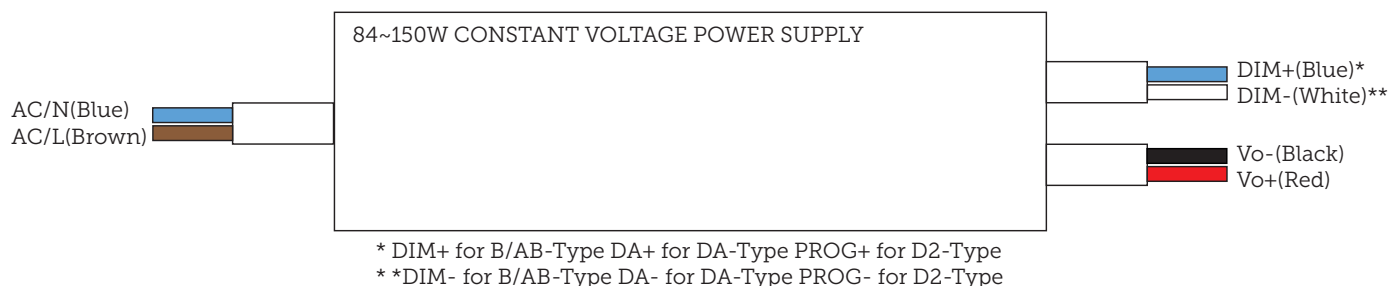
ART NR

### 2. 84 ~150W CONSTANT VOLTAGE POWER SUPPLY

Length (L): Typical: 219 mm

Width (W): Typical: 63 mm

Height (H): Typical: 35,5 mm



### 3. WIRING INPUT

Solid wire: 0.2 - 3.0 mm<sup>2</sup>

Stranded wire: 0.2 - 3.0 mm<sup>2</sup>

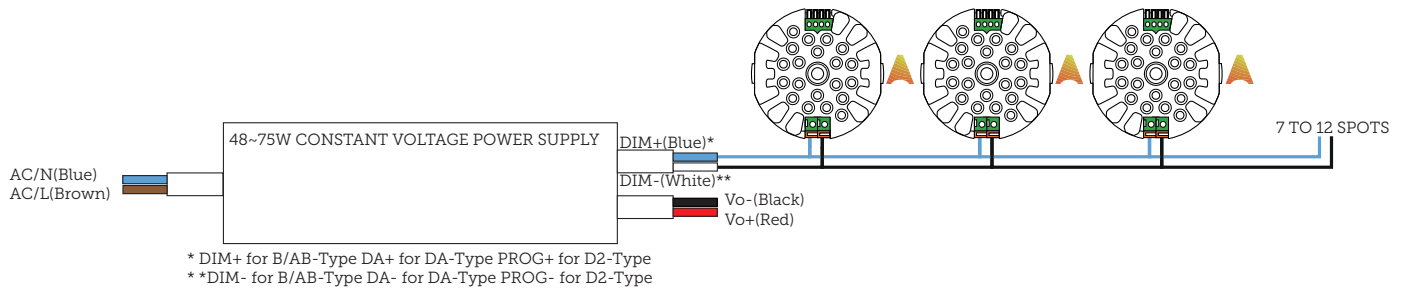
Wire strip length: 9.0 mm

### 4. WIRING OUTPUT

Stranded wire: 0.5 - 1.5 mm<sup>2</sup>

Wire strip length: 9.0 mm

### 5. CONNECTED PARALLEL CASAMBI



### 6. CONNECTED PARALLEL DMX

