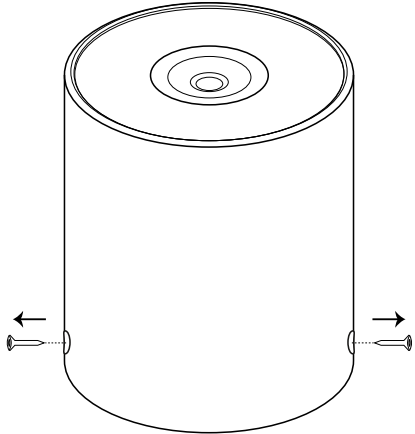


DATASHEET

MOUNTING SPECIFICATIONS FOR SURFACE MOUNTED SPOT

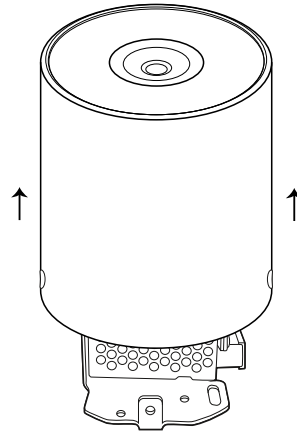
STEP 1

- Remove the screws from the side of the spot



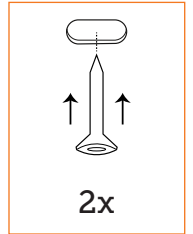
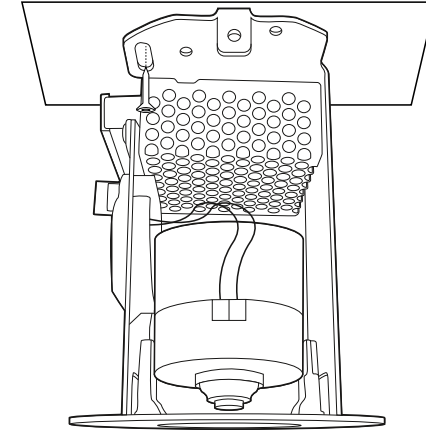
STEP 2

- Remove the cover from the spot



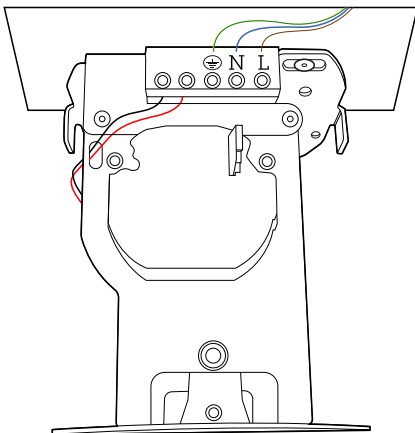
STEP 3

- Drill two holes in the ceiling and fix the spot with two screws in each gap. Use a torx screwdriver(T20)



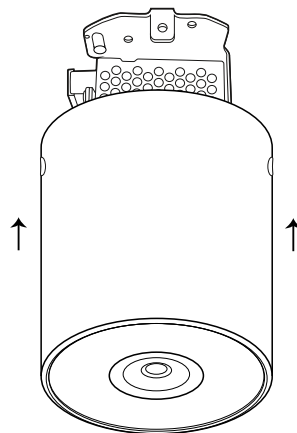
STEP 4

- Connect the brown wire to the "L"
- Connect the blue wire to the "N"
- Connect the green/yellow wire to "ground"



STEP 5

- Slide the cover over the spot until the flange is up to the edge



STEP 6

- Put the 2 screws back in the holes and carefully tighten them

