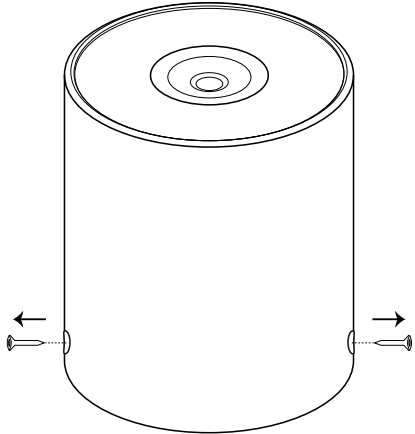


DATASHEET

MOUNTING SPECIFICATIONS FOR SURFACE MOUNTED SPOT

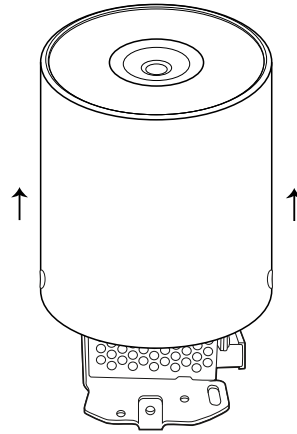
STEP 1

- Remove the screws from the side of the spot



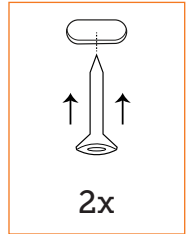
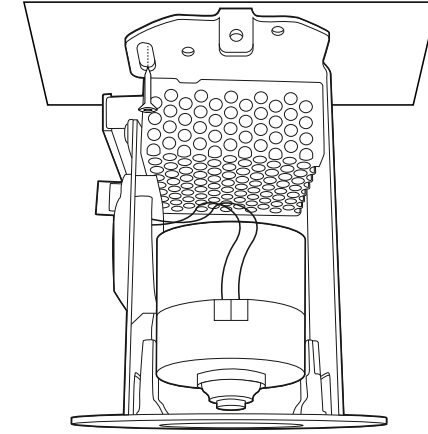
STEP 2

- Remove the cover from the spot



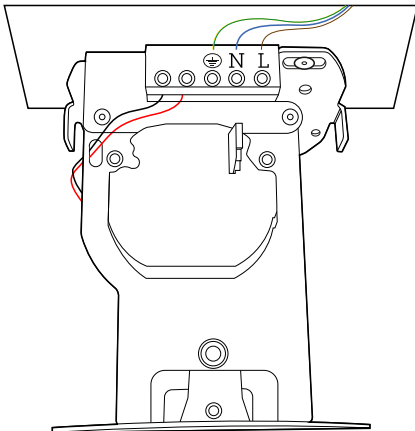
STEP 3

- Drill two holes in the ceiling and fix the spot with two screws in each gap. Use a torx screwdriver(T20)



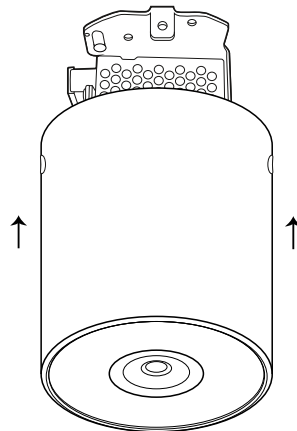
STEP 4

- Connect the brown wire to the "L"
- Connect the blue wire to the "N"
- Connect the green/yellow wire to "ground"



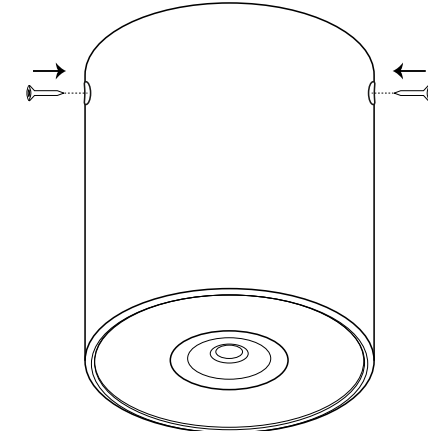
STEP 5

- Slide the cover over the spot until the flange is up to the edge



STEP 6

- Put the 2 screws back in the holes and carefully tighten them



DATASHEET

DATASHEET FOR SURFACE MOUNTED SPOT

SPECIFICATIONS

LIGHT ENGINE	CONTROL OPTIONS	BEAM ANGLE	INTEGRATION	DIMENSIONS FLANGE	RAL FLANGE
G-SW-27 = 2700K	E= External driver (Casambi,	20°	S = Spring clips	90= 090 mm	W= White
G-SW-30 = 3000K	0-10V, DALI, DMX, (Phase dimming)	40°	ADJ = Adjustable	112= 112 mm	B= Black
G-SW-40 = 4000K	C= Internal driver Casambi		CON = Contra construction	None= Only spot engine	CUS= Customized
G-SW-57 = 5700K	D= Internal driver DMX		G-PR = Plaster ring		
G-SW-CUS = Customized			SURF = Surface mounted		
G-DW =2000K -3000K					
G-WD = 2200K - 3000K					
G-RGB+W = RGB+W (27000K)					

MEASUREMENTS

	SPOT ENGINE	SW	DW/RGB+W
Plaster ring	Ø 55,4 mm	H 70 mm	H 86 mm
Spot engine	Ø 55,4 mm	H 70 mm	H 86 mm
Spring clips	Ø 55,4 mm	H 70 mm	H 86 mm
Surface mounted pin spot	Ø 110 mm	H 120mm x Ø 110mm	H 120mm x Ø 110mm
Flange size (spring clips)		1 mm x Ø90 mm, 1 mm x Ø112 mm or custom	1 mm x Ø90 mm, 1 mm x Ø112 mm or custom
Drill diameter of flange (spring clips)			Ø 76 mm

SPECIFICATIONS

LIGHT SOURCE	VOLTAGE
Light composition	Single white, Dual white, Warm dimming, RGB+W
Lumen output	Ca. 500-600 Lumen
Control options	Integrated driver: Casambi, DMX External driver (SW/DW): DALI, 0-10V, Casambi, DMX
Dimming options	0-10V, Casambi, DMX, DALI (sw)
Luminaire type, assembly, adjustable	Ceiling build in, plaster rings, spring clips, spot engine, surface mounted
Dimensions	See measurements
Flange	Aluminium
Heat sink	Cold Forced Casting aluminium
Finish / colour	Powder coated - Black, White, Customized

Protection marking compliance	IP20, CE
Warranty	2 years
Produced in	The Netherlands
Specials	Customized version, Light colour, colour Rendering
Colour fastness	CRI 85-95
Lifespan	70% after 50.000H
Internal driver	Voltage: 24 VDC, Power: 12W max
External drive	Current: 950mA, Power: 12W max
Wiring	Solid wire: 24-14 AWG/0.205-2.08 mm ² , Stranded wire: 24-14 AWG/0.205-2.08 mm ² , Wire stripe length: 6-10 mm ² , Pitch: 5.0 mm ²