

# DATASHEET

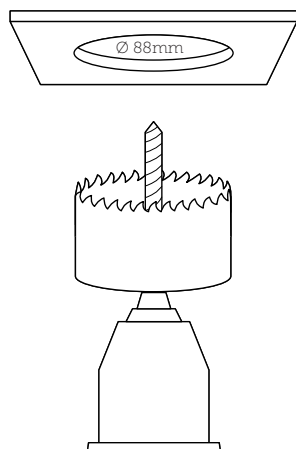
## MOUNTING SPECIFICATIONS FOR PLASTER RING

### STEP 1

- Drill a hole in the ceiling with a hole saw of  $\varnothing 88\text{mm}$

#### WHAT YOU NEED:

- Hole saw -  $\varnothing 88\text{mm}$
- Drill

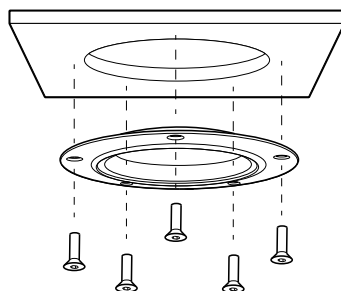


### STEP 2

- Place the plaster ring in the borehole and screw the plaster ring with drywall screws

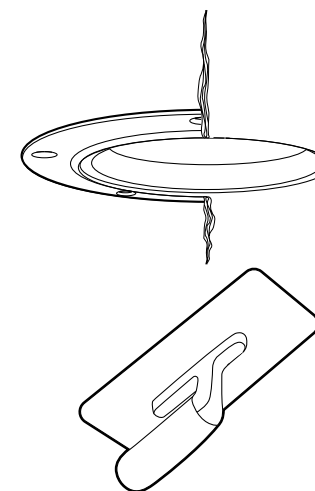
#### WHAT YOU NEED:

- 5x countersunk plasterboard screws
- Screwdriver

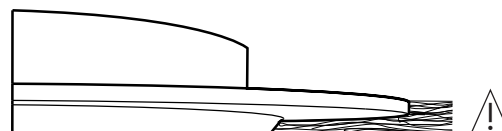


### STEP 3

- Plaster the ceiling



Note: Do not plaster higher than the inner edge of the plaster ring and prevent plaster from entering the ring



# DATASHEET

## MOUNTING SPECIFICATIONS FOR PLASTER RING

### SPECIFICATIONS

LIGHT ENGINE	CONTROL OPTIONS	BEAM ANGLE	INTEGRATION	DIMENSIONS FLANGE	RAL FLANGE
G-SW-27 = 2700K	E= External driver (Casambi,	20°	S = Spring clips	90= 090 mm	W= White
G-SW-30 = 3000K	0-10V, DALI, DMX, (Phase dimming)	40°	ADJ = Adjustable	112= 112 mm	B= Black
G-SW-40 = 4000K	C= Internal driver Casambi		CON = Contra construction	None= Only spot engine	CUS= Customized
G-SW-57 = 5700K	D= Internal driver DMX		G-PR = Plaster ring		
G-SW-CUS = Customized					
G-DW =2000K -3000K					
G-WD = 2200K - 3000K					
G-RGB+W = RGB+W (27000K)					

### MEASUREMENTS

	SPOT ENGINE	SW	DW/RGB+W
Plaster ring	Ø 55,4 mm	H 70 mm	H 86 mm
Spot engine	Ø 55,4 mm	H 70 mm	H 86 mm
Spring clips	Ø 55,4 mm	H 70 mm	H 86 mm
Flange size (spring clips)		1 mm x Ø90 mm, 1 mm x Ø112 mm or custom	1 mm x Ø90 mm, 1 mm x Ø112 mm or custom
Drill diameter of flange (spring clips)			Ø 76 mm

### SPECIFICATIONS

LIGHT SOURCE	VOLTAGE
Light composition	Single white, Dual white, Warm dimming, RGB+W
Lumen output	Ca. 500-600 Lumen
Control options	Integrated driver: Casambi, DMX External driver (SW/DW): DALI, 0-10V, Casambi, DMX
Dimming options	0-10V, Casambi, DMX, DALI (sw)
Luminaire type, assembly, adjustable	Ceiling build in, plaster rings, spring clips, spot engine, surface mounted
Dimensions	See measurements
Flange	Aluminium
Heat sink	Cold Forced Casting aluminium
Finish / colour	Powder coated - Black, White, Customized

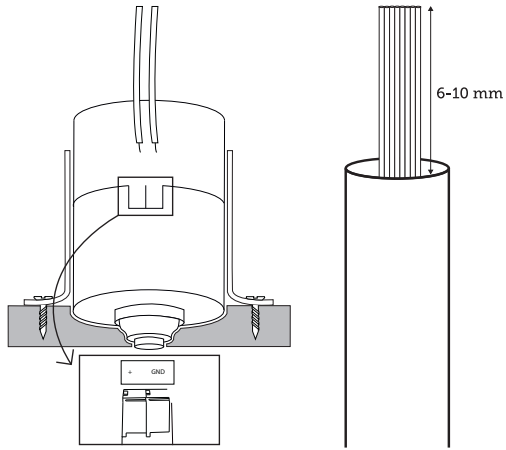
Protection marking compliance	IP20, CE
Warranty	2 years
Produced in	The Netherlands
Specials	Customized version, Light colour, colour Rendering
Colour fastness	CRI 85-95
Lifespan	70% after 50.000H
Internal driver	Voltage: 24 VDC, Power: 12W max
External drive	Current: 950mA, Power: 12W max
Wiring	Solid wire: 24-14 AWG/0.205-2.08 mm <sup>2</sup> , Stranded wire: 24-14 AWG/0.205-2.08 mm <sup>2</sup> , Wire stripe length: 6-10 mm <sup>2</sup> , Pitch: 5.0 mm <sup>2</sup>

# E-INSTALLATION

## CONNECTING THE SPOTLIGHT

### WIRING

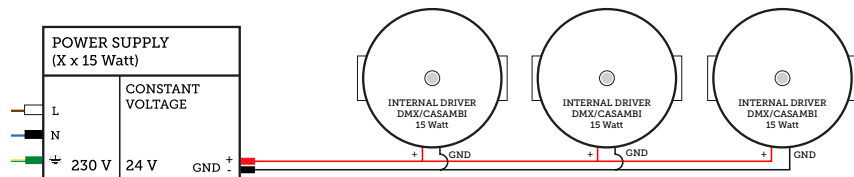
Solid wire: 24-14 AWG/0.205-2.08 mm<sup>2</sup>  
 Stranded wire: 24-14 AWG/0.205-2.08 mm<sup>2</sup>  
 Wire stripe length: 6-10 mm  
 Pitch: 5.0 mm<sup>2</sup>



### CONNECTED PARALLEL

- Connect each "+" and "GND" individual to the power supply

### CONNECTED IN SERIES FOR INTERNAL DUAL WHITE AND RGB+W

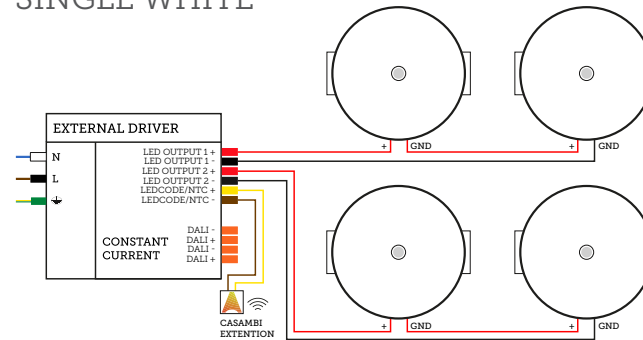


### CONNECTED IN SERIES

#### TO CONTROL MULTIPLE SPOTS IN SERIES VIA AN EXTERNAL DRIVER:

- Connect the "+" of the driver to the "+" of the first spot
- Connect the "GND" of the first spot to the "+" of the second spot
- Connect the "GND" of the second spot to the "+" of the third spot
- Connect the "GND" of the last spot to the "-" of the GND driver

### CONNECTED IN SERIES FOR EXTERNAL DRIVER SINGLE WHITE



### CONNECTED IN SERIES FOR EXTERNAL DRIVER DUAL WHITE

