

DATASHEET

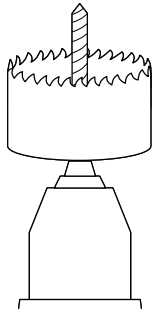
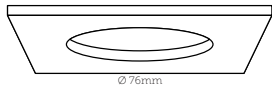
MOUNTING SPECIFICATIONS FOR SPRING CLIP

STEP 1

- Drill a hole in de ceiling with a hole saw of Ø 76mm

WHAT YOU NEED:

- Hole saw - Ø 76mm
- Drill

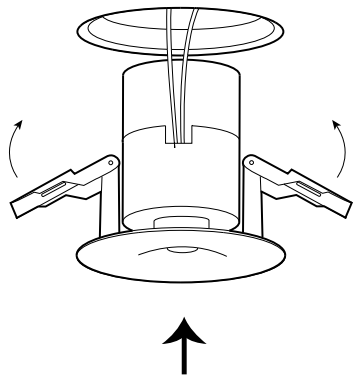


STEP 2

- Install the spots (See overleaf)

STEP 3

- Squeeze in de the springs of the spot and place the spot in the ceiling hole



SPECIFICATIONS

LIGHT ENGINE	CONTROL OPTIONS	BEAM ANGLE	INTEGRATION	DIMENSIONS FLANGE	RAL FLANGE
G-SW-27 = 2700K	E= External driver (Casambi,	20°	S = Spring clips	90= 090 mm	W= White
G-SW-30 = 3000K	0-10V, DALI, DMX, -Phase dimming)	40°	ADJ = Adjustable	112= 112 mm	B= Black
G-SW-40 = 4000K	C= Internal driver Casambi		CON = Contra construction	None= Only spot engine	CUS= Customized
G-SW-57 = 5700K	D= Internal driver DMX		G-PR = Plaster ring		
G-SW-CUS = Customized					
G-DW =2000K -3000K					
G-WD = 2200K - 3000K					
G-RGB+W = RGB+W (27000K)					

MEASURMENTS

	SPOT ENGINE	SW	DW/RGB+W
Plaster ring	Ø 55,4 mm	H 70 mm	H 86 mm
Spot engine	Ø 55,4 mm	H 70 mm	H 86 mm
Spring clips	Ø 55,4 mm	H 70 mm	H 86 mm
Flange size (spring clips)		1 mm x Ø90 mm, 1 mm x Ø112 mm or custom	1 mm x Ø90 mm, 1 mm x Ø112 mm or custom
Drill diameter of flange (spring clips)			Ø 76 mm

SPECIFICATIONS

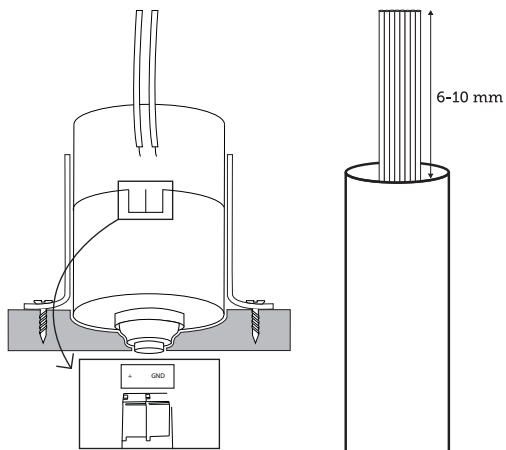
LIGHT SOURCE	VOLTAGE		
Light composition	Single white, Dual white, Warm dimming, RGB+W	Protection marking compliance	IP20, CE
Lumen output	Ca. 500-600 Lumen	Warranty	2 years
Control options	Integrated driver: Casambi, DMX External driver (SW/DW): DALI, 0-10V, Casambi, DMX	Produced in	The Netherlands
Dimming options	0-10V, Casambi, DMX, DALI (sw)	Specials	Customized version, Light colour, colour Rendering
Luminaire type, assembly, adjustable	Ceiling build in, plaster rings, spring clips, spot engine, surface mounted	Colour fastness	CRI 85-95
Dimensions	See measurements	Lifespan	70% after 50.000H
Flange	Aluminium	Internal driver	Voltage: 24 VDC, Power: 12W max
Heat sink	Cold Forced Casting aluminium	External drive	Current: 950mA, Power: 12W max
Finish / colour	Powder coated - Black, White, Customized	Wiring	Solid wire: 24-14 AWG/0.205-2.08 mm², Stranded wire: 24-14 AWG/0.205-2.08 mm², Wire stripe length: 6-10 mm², Pitch: 5.0 mm²

E-INSTALLATION

CONNECTING THE SPOTLIGHT

WIRING

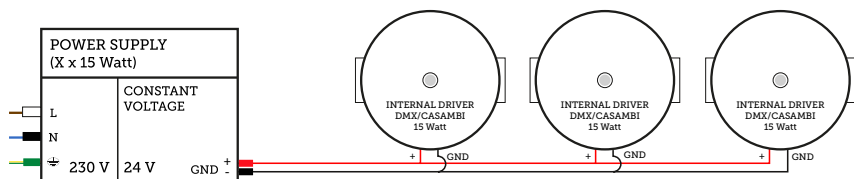
Solid wire: 24-14 AWG/0.205-2.08 mm²
 Stranded wire: 24-14 AWG/0.205-2.08 mm²
 Wire stripe length: 6-10 mm
 Pitch: 5.0 mm²



CONNECTED PARALLEL

- Connect each "+" and "GND" individual to the power supply

CONNECTED IN SERIES FOR INTERNAL DUAL WHITE AND RGB+W

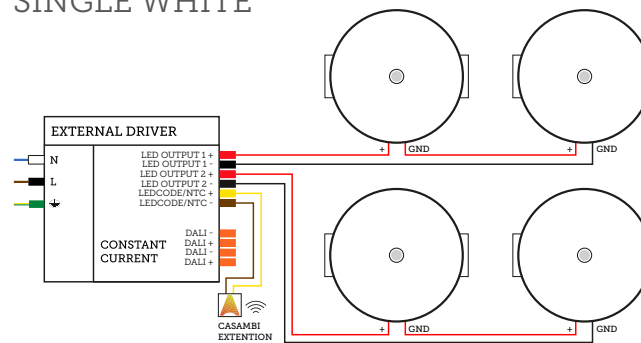


CONNECTED IN SERIES

TO CONTROL MULTIPLE SPOTS IN SERIES VIA AN EXTERNAL DRIVER:

- Connect the "+" of the driver to the "+" of the first spot
- Connect the "GND" of the first spot to the "+" of the second spot
- Connect the "GND" of the second spot to the "+" of the third spot
- Connect the "GND" of the last spot to the "-" of the GND driver

CONNECTED IN SERIES FOR EXTERNAL DRIVER SINGLE WHITE



CONNECTED IN SERIES FOR EXTERNAL DRIVER DUAL WHITE

