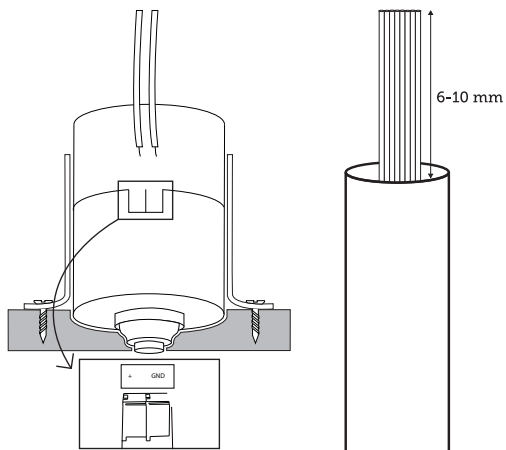


E-INSTALLATION

CONNECTING THE SPOTLIGHT

WIRING

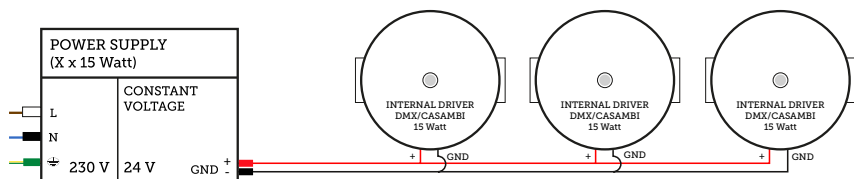
Solid wire: 24-14 AWG/0.205-2.08 mm²
 Stranded wire: 24-14 AWG/0.205-2.08 mm²
 Wire stripe length: 6-10 mm
 Pitch: 5.0 mm²



CONNECTED PARALLEL

- Connect each "+" and "GND" individual to the power supply

CONNECTED IN SERIES FOR INTERNAL DUAL WHITE AND RGB+W

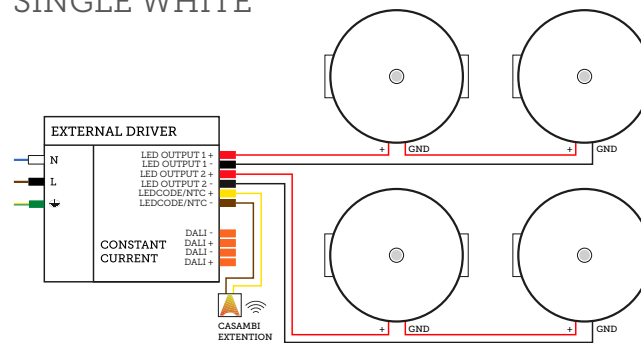


CONNECTED IN SERIES

TO CONTROL MULTIPLE SPOTS IN SERIES VIA AN EXTERNAL DRIVER:

- Connect the "+" of the driver to the "+" of the first spot
- Connect the "GND" of the first spot to the "+" of the second spot
- Connect the "GND" of the second spot to the "+" of the third spot
- Connect the "GND" of the last spot to the "-" of the GND driver

CONNECTED IN SERIES FOR EXTERNAL DRIVER SINGLE WHITE



CONNECTED IN SERIES FOR EXTERNAL DRIVER DUAL WHITE

