

DATASHEET

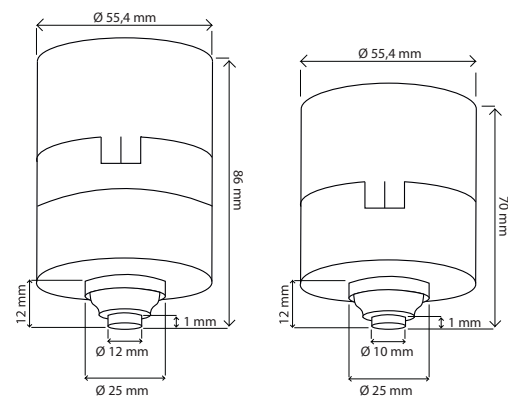
MOUNTING SPECIFICATIONS FOR CONTRA CONSTRUCTION

STEP 1

- Mill a hole in the ceiling; 10mm for Single-white spot, 12 mm for Dual-white spot

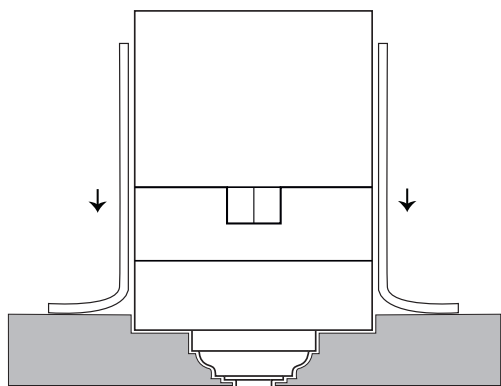
WHAT YOU NEED:

- Power router



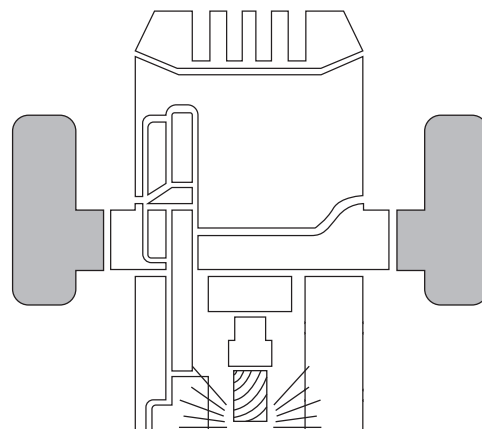
STEP 4

- Fix the spot on the top of the ceiling by adjusting the side feet to the thickness of the sheet material



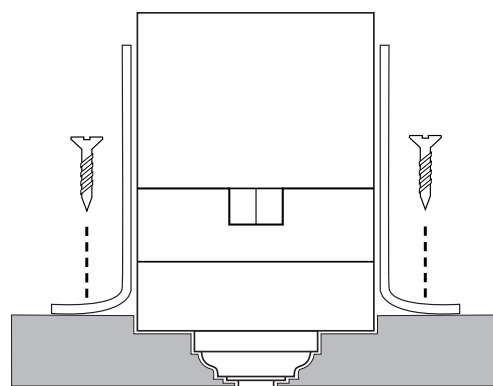
STEP 2

- Cut out the sheet material in a way that the tip of the spot engine fits



STEP 5

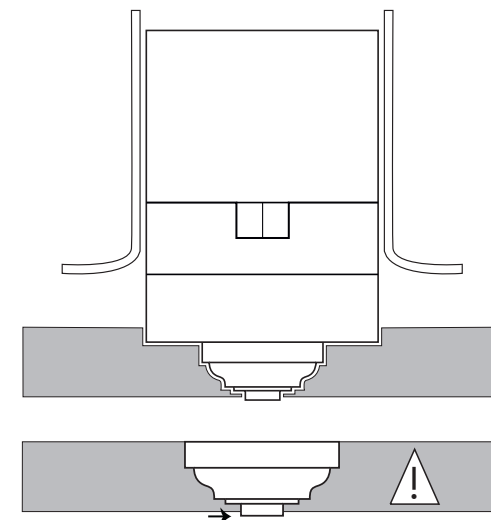
- Screw the construction into the ceiling



STEP 3

- Place the spot in the hole

Note: Make sure the top of the spot comes out just below the plate material



DATASHEET

MOUNTING SPECIFICATIONS FOR CONTRA CONSTRUCTION

SPECIFICATIONS

LIGHT ENGINE	CONTROL OPTIONS	BEAM ANGLE	INTEGRATION	DIMENSIONS FLANGE	RAL FLANGE
G-SW-27 = 2700K	E= External driver (Casambi,	20°	S = Spring clips	90= 090 mm	W= White
G-SW-30 = 3000K	0-10V, DALI, DMX, (Phase dimming)	40°	ADJ = Adjustable	112= 112 mm	B= Black
G-SW-40 = 4000K	C= Internal driver Casambi		CON = Contra construction	None= Only spot engine	CUS= Customized
G-SW-57 = 5700K	D= Internal driver DMX		G-PR = Plaster ring		
G-SW-CUS = Customized					
G-DW =2000K -3000K					
G-WD = 2200K - 3000K					
G-RGB+W = RGB+W (27000K)					

MEASUREMENTS

	SPOT ENGINE	SW	DW/RGB+W
Plaster ring	Ø 55,4 mm	H 70 mm	H 86 mm
Spot engine	Ø 55,4 mm	H 70 mm	H 86 mm
Spring clips	Ø 55,4 mm	H 70 mm	H 86 mm
Flange size (spring clips)		1 mm x Ø90 mm, 1 mm x Ø112 mm or custom	1 mm x Ø90 mm, 1 mm x Ø112 mm or custom
Drill diameter of flange (spring clips)			Ø 76 mm

SPECIFICATIONS

LIGHT SOURCE	VOLTAGE
Light composition	Single white, Dual white, Warm dimming, RGB+W
Lumen output	Ca. 500-600 Lumen
Control options	Integrated driver: Casambi, DMX External driver (SW/DW): DALI, 0-10V, Casambi, DMX
Dimming options	0-10V, Casambi, DMX, DALI (sw)
Luminaire type, assembly, adjustable	Ceiling build in, plaster rings, spring clips, spot engine, surface mounted
Dimensions	See measurements
Flange	Aluminium
Heat sink	Cold Forced Casting aluminium
Finish / colour	Powder coated - Black, White, Customized

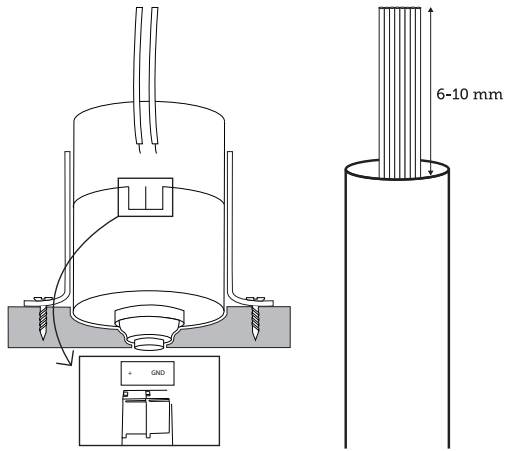
Protection marking compliance	IP20, CE
Warranty	2 years
Produced in	The Netherlands
Specials	Customized version, Light colour, colour Rendering
Colour fastness	CRI 85-95
Lifespan	70% after 50.000H
Internal driver	Voltage: 24 VDC, Power: 12W max
External drive	Current: 950mA, Power: 12W max
Wiring	Solid wire: 24-14 AWG/0.205-2.08 mm ² , Stranded wire: 24-14 AWG/0.205-2.08 mm ² , Wire stripe length: 6-10 mm ² , Pitch: 5.0 mm ²

E-INSTALLATION

CONNECTING THE SPOTLIGHT

WIRING

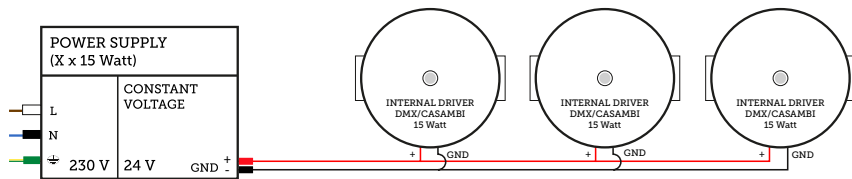
Solid wire: 24-14 AWG/0.205-2.08 mm²
 Stranded wire: 24-14 AWG/0.205-2.08 mm²
 Wire stripe length: 6-10 mm
 Pitch: 5.0 mm²



CONNECTED PARALLEL

- Connect each "+" and "GND" individual to the power supply

CONNECTED IN SERIES FOR INTERNAL DUAL WHITE AND RGB+W

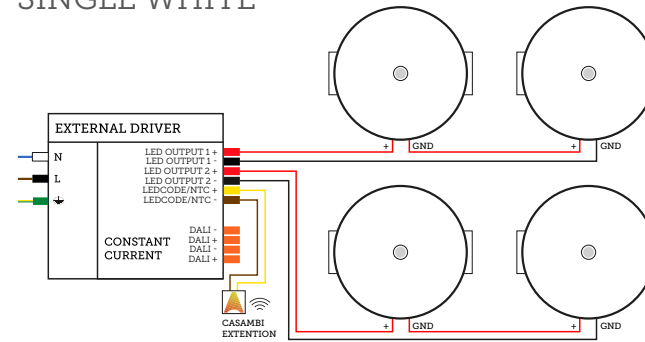


CONNECTED IN SERIES

TO CONTROL MULTIPLE SPOTS IN SERIES VIA AN EXTERNAL DRIVER:

- Connect the "+" of the driver to the "+" of the first spot
- Connect the "GND" of the first spot to the "+" of the second spot
- Connect the "GND" of the second spot to the "+" of the third spot
- Connect the "GND" of the last spot to the "-" of the GND driver

CONNECTED IN SERIES FOR EXTERNAL DRIVER SINGLE WHITE



CONNECTED IN SERIES FOR EXTERNAL DRIVER DUAL WHITE

