

POWERLINE

SPECIFICATIONS

Light Source		LED Powerline
Input	Voltage	24 VDC
	Current	Depends on the length
Protection	Over voltage	24 ~ 26 VDC
Environment	Temperature	Operating: -15°C ~ 70°C
	Humidity	Operating: 5% ~ 90% RH (non Condensing)
M.T.B.F.		> 50K hours (Estimated)
Safety	Approved:	CE
Production	Produced in:	The Netherlands
Power	Dual white	26W/meter
	RGB-W	38W/meter

MOUNTING SPECIFICATIONS

Type of PCB	Length [mm]
Master	345
Slave 1 - 1	217,4
Slave 1	325
Slave 2 - 3	413,75
Slave 2 - 2	539,75
Slave 2 - 1	647,75
Slave 2	757

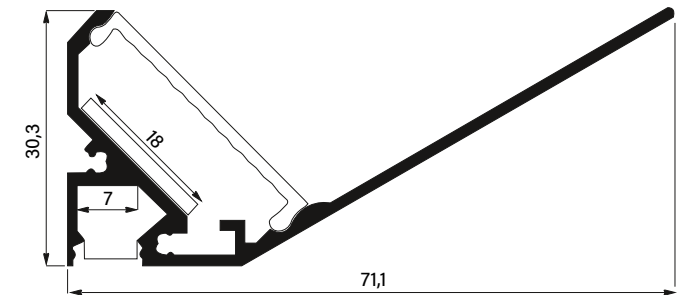
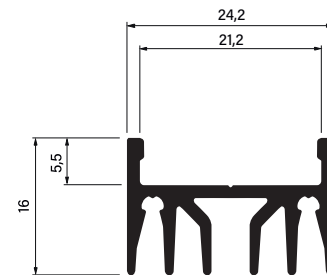
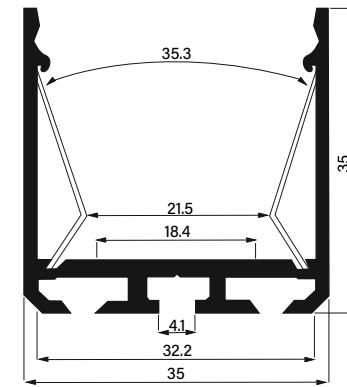
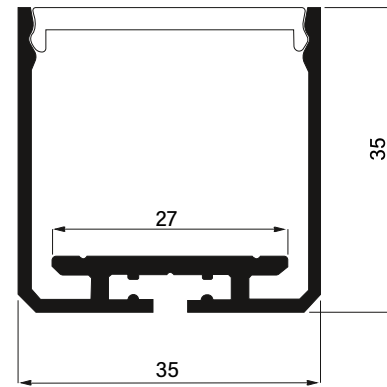
AVAILABLE PROFILES

profile	Material	Anodized Aluminium
	Colour	White, Black, Aluminium, Custom
	Ingress protection rating	IP20
Cover	material	Opal PC
	Finish	Antiglare
	Light	Diffuse even light without visible LED's
		UV inhibitor

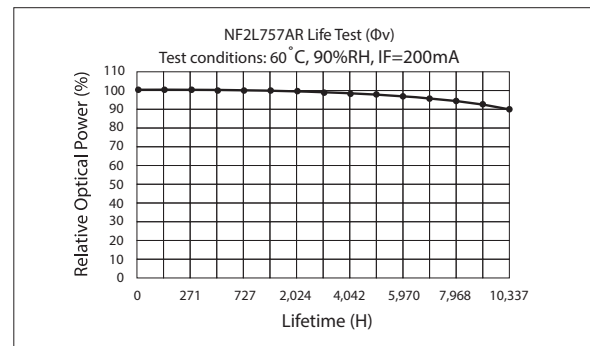
Any length of powerline can be created, using these measurements. At least 1 master required, accompanied by any number of slaves. The measurements stated here, are the lengths of the PCB. The profile can be created in any desired length (accrate to the millimeter). Contact DYDELL, for custom made lengths and personal advice.

AVAILABLE TYPES Article number: PL-____-mm-__-__

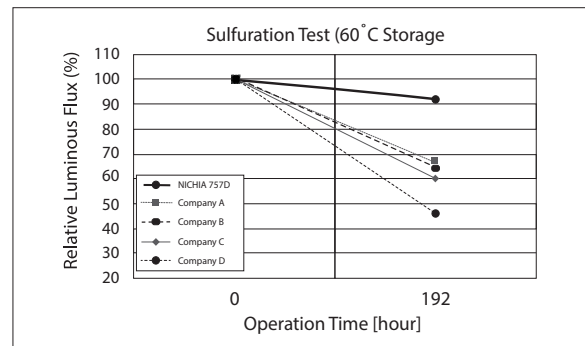
Light engine	Length	Cable entry	RAL profile	Control options
PL-WD = Warm Dimming 2200K-3000K	350 mm	T = Semi transparent	A = Anodizing Aluminium Surface	D = DMX (Loxone / KNX)
PL-DW = Dual white 2000K-5000K	571 mm	W = white	W = White	C = Casambi
PL-RGBW = RGB+W 2700K	678 mm	B = Black	B = Black	O = 0-10V (SW only)
PL-SW27 = Single white 2700K	785 mm	C = Customized	RC = Customized	E = External driver (SW only)
PL-SW30 = Single white 3000K	839 mm			P = Smart Switching (DW only)
PL-SW40 = Single white 4000K	1001 mm			
PL-SW57 = Single white 5700K	...			
PL-SWC = Single white customized	> 5000 mm			



Lifespan test LED's 200 mA
(Dydell uses these LED's with 65 mA)



Nichia LED's relative to other LED's



Alternative profiles are possible for creating Powerlines, provided that the internal width is at least 20 mm. Contact DYDELL to discuss possible profiles, other possibilities and personal advice.