

# LED APPLICATIONS FOR CUSTOMIZED LIGHTING DESIGNS



SPHERE



ENGINE



SPOT



ENGINE



LINE



ENGINE





GOOD MORNING!

Fair trade

SUGAR!

it's ALWAYS  
Coffee  
TIME



ARABICA | Fresh roast.

PRESS  
COFFEE  
NOW!

ARABICA



# DYDELL

## YOUR PARTNER IN DYNAMIC LED APPLICATIONS FOR CUSTOMIZED LIGHTING DESIGNS

DYDELL stands for Dynamic Design LED Light, your partner in dynamic LED applications for customized lighting designs. DYDELL develops and produces a premium, dynamic and sustainable lighting concept that consists of multiple innovative light sources with various control systems for theaters, houses, restaurants, entrances, offices and healthcare facilities. Depending on the time of day or the various functions of a space, a suitable light-ambiance can easily be created: from functional light throughout the day to a relaxing atmosphere during night time events.

DYDELL offers more comfort with more light functionality through its lighting system. There are control options tailored to your wishes and control needs: from simply selecting pre-set atmospheres, controlling the lamps wirelessly with the Bluetooth lighting control system of Casambi, to an integration of the lighting in a DMX control-system for theaters. DYDELL has a suitable solution for every situation.

A PLEASANT ATMOSPHERE STARTS WITH THE RIGHT LIGHT

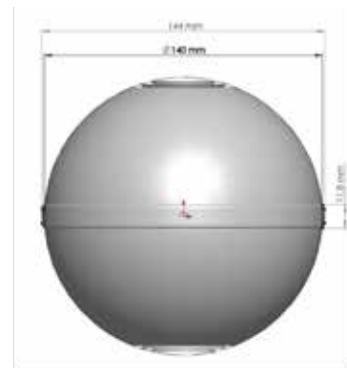




# LED SPHERE

The powerful, diffuse, patented spherical RGB+W LED sphere of Ø 14 cm has a lumen output of 1721 lumen and consists of two half spheres that independently provide the required ambiance; from functional white light directly onto a table to a stylish soft tone to decorative atmospheric lighting on the ceiling. In the Dual White LED-sphere, both functional white (5000K) and warm white LEDs (2000K) are processed.

For preserving a stable colour temperature and a longer lifespan for the LED light sphere, well-controlled thermal management is crucial. The patented DYDELL 'LED-Lifetime Protector' is an innovative combination of an internal heat sink system with dimming functionality. When exceeding the maximum temperature the dimming functionality is automatically activated. As a result the LEDs will cool down and a maximum lifespan of 50.000 hours with a stable colour temperature can be guaranteed.



1721 lumen



ø 140mm



max. 24 Watt



CRI 85-95



70% after  
50.000 hours



RGB+W, Dual White,  
Warm Dimming

Article number: \_ \_ \_ - \_ \_ \_ - \_ \_ \_ - \_ \_

Light Engine	Luminaire ring	Colour Wiring	Length wire	Control options
<b>S-WD</b> = Warm Dimming 2200K-3000K	<b>1000</b> = standaard	<b>T</b> = Semi transparant	<b>3000</b> mm	<b>D</b> = DMX (via DMX to Loxone / KNX)
<b>S-DW</b> = Dual White 2000K-5000K	<b>1001</b> = Wooden ring oak	<b>W</b> = White	<b>5000</b> mm	<b>C</b> = Casambi
<b>S-RGBW</b> = RGB+W 2700K	<b>1002</b> = Aluminium mat white	<b>B</b> = Black	<b>10000</b> mm	
	<b>1003</b> = Aluminium mat black	<b>C</b> = Customized	<b>15000</b> mm	
	<b>1004</b> = No ring			
	<b>1005</b> = Customized			



DYDEELL

CONSTRUCTION  
AND LEASING SERVICES

## POWERLINE

The powerful diffuse Powerline of DYDELL stands out with its high light capacity and various profile appearances. The LED line is obtainable in RGB + W (2700K), Dual White, Warm dimming or Single white colours. The Powerline is processed in a high quality (AAA) anodized profile and is finished with a premium prismatic diffuse opal cover, which does not shine and creates a beautiful, even and diffuse light effect, so that no LED points are visible.

In the Dual White Powerline, both functional white (5000K) and warm white LEDs (2000K) are processed. Once the Powerline with Warm Dimming (2200K-3000K) is dimmed, the colour temperature of the light is warmer: a sustainable and atmospheric alternative to fluorescent light with the pleasant lighting characteristics of an incandescent light bulb. The Powerline can be used as a total system for the preferred ambiance but a colour pattern can also be created for each line. From functional line light to a playful architectonic play of light, all is possible with the DYDELL powerline.



2150 lumen p.mtr  
(indicative WD, DW, SW)



See  
schedule



max. 24 Watt  
per meter



CRI 85-95



70% after  
50.000 hours



RGB+W, Dual White,  
Warm Dimming,  
Single Colour

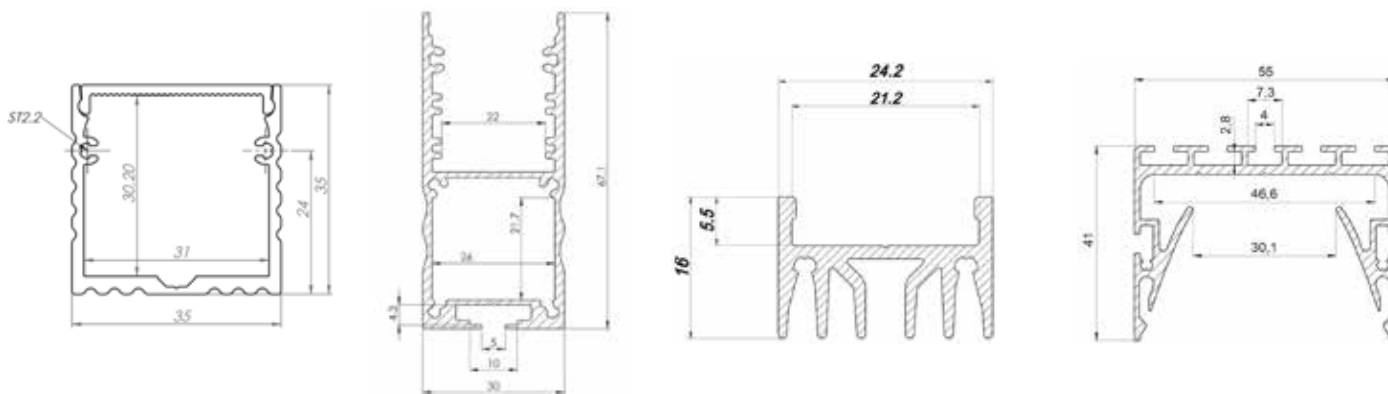
For technical specifications see next page. >>



DYDELLI



# TECHNICAL SPECIFICATIONS POWERLINE



Article number: \_\_\_\_\_ mm - - - - -

Light Engine	Dimension	Length	RAL profile	Cable entry position	Control options
PL-WD = Warm Dimming 2200K-3000K	24 = H 16mm x W 24,2 mm	350 mm	A = Anodizing aluminium surface profile	B = Bottom	D = DMX (via DMX to Loxone / KNX)
PL-DW = Dual White 2000K-5000K	35 = H 35mm x W 35mm *	571 mm	W = White RAL:	SL = Side Left	C = Casambi
PL-RGBW = RGB+W 2700K	30H = H 65mm x W 30mm *	678 mm	B = Black; RAL:	SR = Side right	O = 0-10V (only with single white)
PL-SW27 = Single White 2700K	55 = H 41mm x W55mm *	785 mm	RC = Customized	HS = Head side	E = External diver (only with single white)
PL-SW30 = Single White 3000K	55 T = Trimless: H 41mm x W55mm *	893 mm			P = SMART Switching (only with Dual White)
PL-SW40 = Single White 4000K	C = Customized profile	1001 mm			
PL-SW57 = Single White 5700K		... mm			
PL-CUS = Single White Customized		3000 mm			

\* Each Powerline (max 3000mm length) needs per piece 24 Watt power supply and can be (optional) extended to another profile via a linear connector.  
 NB: the power supply is not included and can be ordered separately.



S M E G



DyDeLL  
DESIGN & DEVELOPMENT

## GLARELESS SPOT

Imagine a beautifully illuminated room in front of you, where there is no glare on the ceiling and you don't have any idea where the light comes from. The new DYDELL Glareless spot (Ø 112mm – Ø 90 mm x max 100 mm high) is the ultimate answer for when the curtain comes down on halogen lights in 2018. What distinguishes this spotlight is that due to an opening of only 10 mm, a wonderful uniform light bundle with a wide light spread of 20° or 40° is realized with a high lumen output of max 800 lumen. The sustainable and highly efficient Glareless spot is available in Single White, Dual White, Warm Dimming and RGB+W.

DYDELL offers control options that are composed by type of spotlight (see description) tailored to your wishes and needs. The control options are ranged from simply turning the spotlight ON/OFF and dimming with an external driver, create and calling up some dynamic atmospheres with the wireless Casambi control system, to an integrating light into an advanced control system such as DMX.



600-800  
lumen



Ø 112mm /  
Ø 90 mm x max  
100 mm high



12 Watt



CRI 85-95



70% after  
50.000 hours



RGB+W, Dual White,  
Warm Dimming,  
Single Colour



20° or 40°

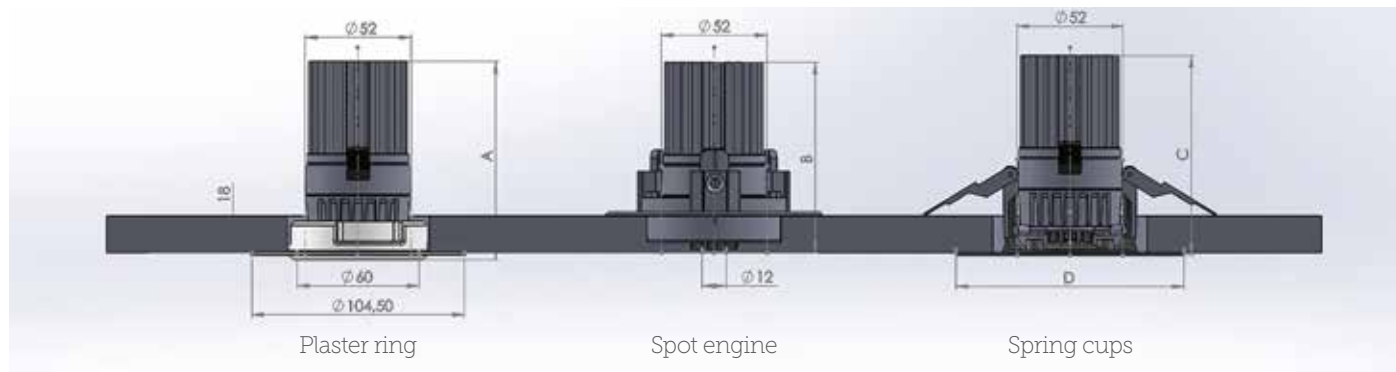
For technical specifications see next page. >>



**DYDEELL**

CONSTRUCTING  
LIFE'S BETTER EXPERIENCE

# TECHNICAL SPECIFICATIONS GLARELESS SPOT



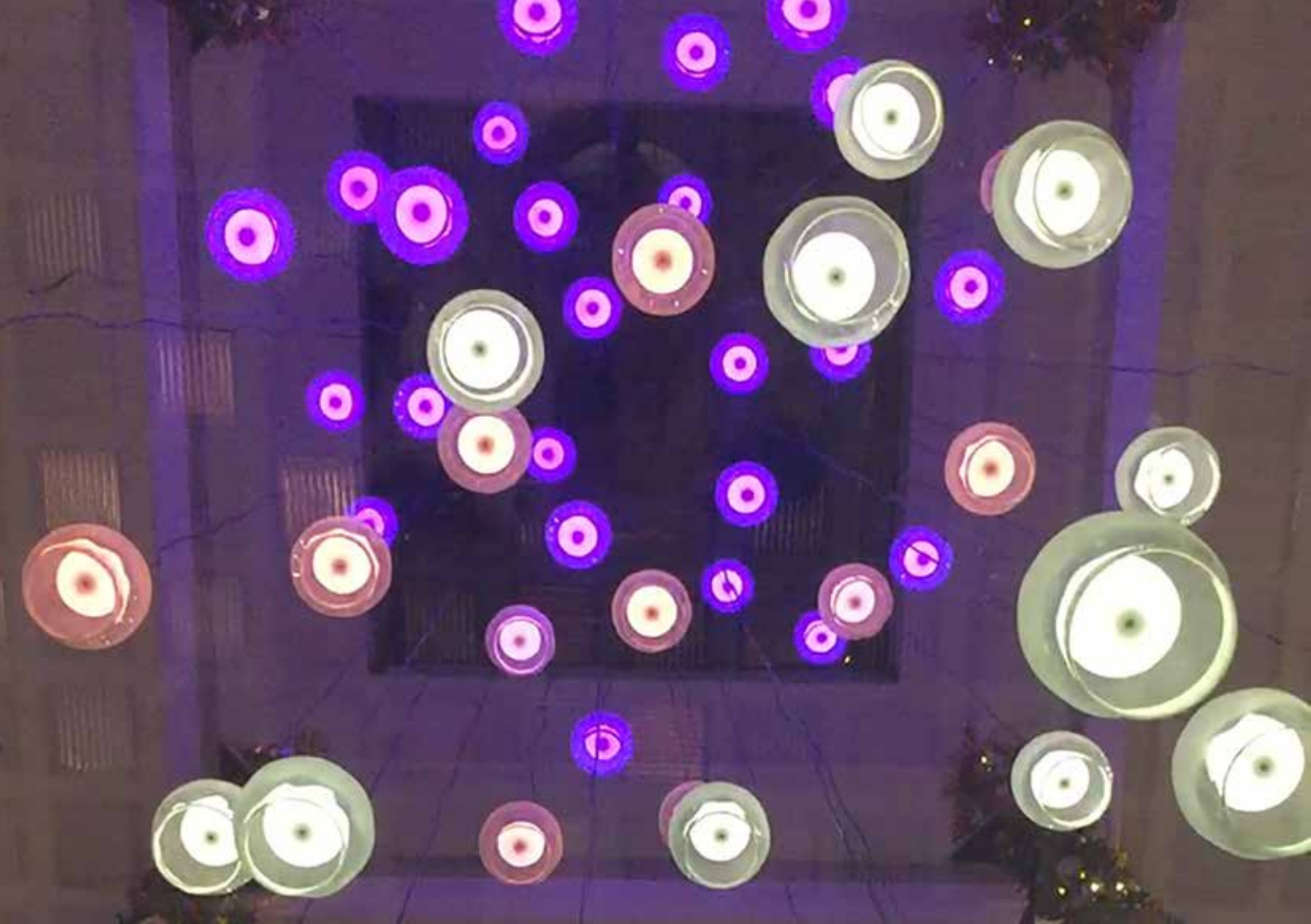
Measurements Glareless spot			
	SW	DW/WD	RGBW
A: Plaster ring	88 mm	98 mm	103mm
B: Spot engine	84 mm	94mm	99mm
C: Spring cups	88mm	98mm	103mm
D: Flange size (spring cup)	Ø89 mm, Ø112mm or custom		

Article number: \_\_\_\_\_ mm - \_\_\_\_°

Light Engine	Integration	RAL flange	Dimension flange	Beam angle	Control options
<b>G-WD</b> = Warm Dimming 2200K-3000K	<b>3000</b> = Plaster ring	<b>W</b> = White RAL:	<b>90</b> = Ø 90 mm	<b>20°</b>	<b>D</b> = DMX (via DMX to Loxone / KNX)
<b>G-DW</b> = Dual White 2000K-5000K	<b>3001</b> = Spring clips	<b>B</b> = Black: RAL:	<b>112</b> = Ø 112 mm	<b>40°</b>	<b>C</b> = Casambi
<b>G-RGBW</b> = RGB+W 2700K		<b>RXX</b> = Customized	<b>None</b> = Only spot engine		<b>O</b> = 0-10V (only with single white)
<b>G-SW27</b> = Single White 2700K					<b>E</b> = External diver (only with single white)
<b>G-SW30</b> = Single White 3000K					
<b>G-SW40</b> = Single White 4000K					
<b>G-SW57</b> = Single White 5700K					
<b>G-CUS</b> = Single White Customized					

NB: the power supply is not included and can be ordered separately.

NBI: wiring is not included and can be ordered separately.



## DYDELL PRO - DMX

DYDELL PRO is a professional group control system, to which all DYDELL light sources can be connected and with which standard lighting protocols such as DMX can be controlled. All LED light sources are connected (wired) to the DIN-rail power supply box that feeds the light sources with 24 Volts. Each DIN rail box has its own 230 Volts power supply with active power factor correction. The capacity of the DIN rail box is variable and is aligned to the number of light sources to be supplied. Via DMX it is also possible to control the lighting using an advanced smart-home system such as Loxone and KNX.







# CASAMBI - WIRELESS LIGHTING CONTROL

Have you always dreamed of controlling all your lighting in the group via your smartphone, without laying new electricity wires? The Casambi lighting solution works via Bluetooth Low Energy and allows you to control all dynamic LED light sources of DYDELL with one Casambi app (for Apple and Android). No additional gateway or internet connection is required. You can easily adjust colour, the white balance and the dimming mode of the lamp and can add all individual lamps to a 'group' to which you then assign atmospheres. In addition, the app features convenient timer functionalities that allow you to set exactly how and when the lights should turn ON or OFF. All of DYDELL's LED sources with Casambi can be connected to the existing 230 Volts electrical wiring with an 24 Volt adapter and various accessories are available, such as a manual wall control panel.





THE

# BODYGUARD

DE MESTRAI

GEBOREND OP DE VAKKER, BACUL NUL PL. (ONGEBLIJF) SCHEENING LAMMENCE K. (2004)  
SCRIPT DOOR ALEX SPRUYTER

VANAF SEPTEMBER

FEEL THE HEAT WITH SOMEBODY

BOEK NU 0900 13531 | [TheBodyvauard.nl](http://TheBodyvauard.nl)

B E A T R I X T H E A T E R

## TAILOR MADE LIGHTING SOLUTION (OEM)

Implementing LED lighting is a discipline in its own right. Whether it's about realizing lighting in a unique luminaire, designing an OEM lighting solution for a product, creating suitable ambiances that are aligned to the changing functions of a space or guiding home installers with the installation, there are many factors to be taken into account. With many years of experience in developing customized LED lighting experience, DYDELL is the right partner to help you develop a solution that's right for you.

DYDELL: YOUR PARTNER IN DYNAMIC LED APPLICATIONS FOR CUSTOMIZED LIGHTING DESIGNS.

DYDELL BV was established in March 2011 and is located in The Netherlands. DYDELL stands for 'Dynamic Design LED Lights' and is an engaged family business which takes pride in considering the functional and aesthetic requirements of lighting different spaces.

A pleasant room starts with the right ambiance. We are the link between a light source and a fantastic lighting experience! Do you have an idea or would you like a lighting challenge solved? **Please contact us on [info@dydell.com](mailto:info@dydell.com) or call +31 (0) 23-529 38 88 for a no obligation appointment.**





LINE



ENGINE



SPHERE



ENGINE



SPOT



ENGINE



DYDELL

DYDELL BV

The Netherlands

info@dydell.com

www.dydell.com

T +31 (0) 23 529 38 88