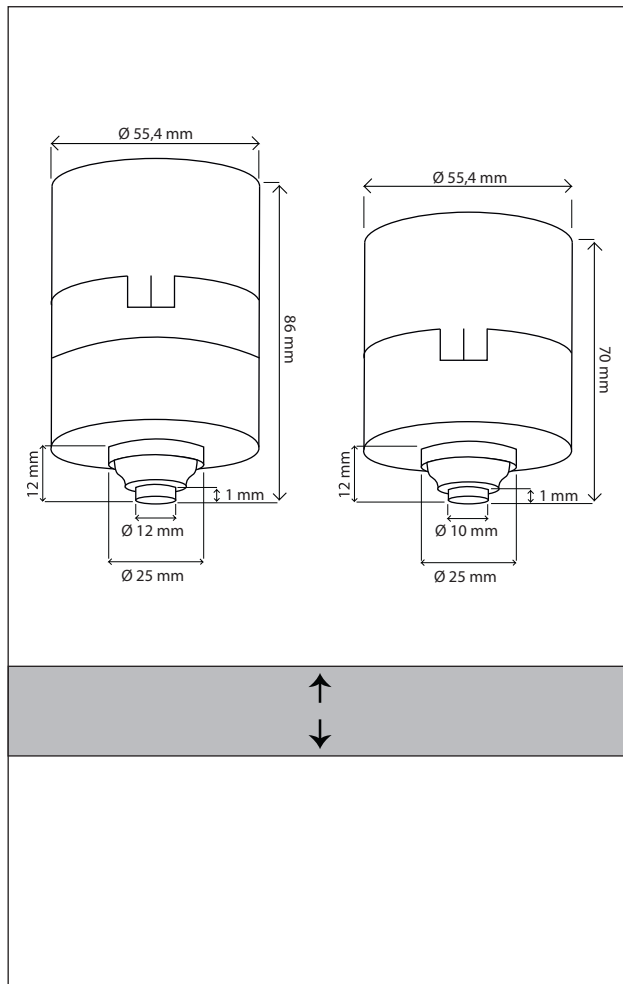


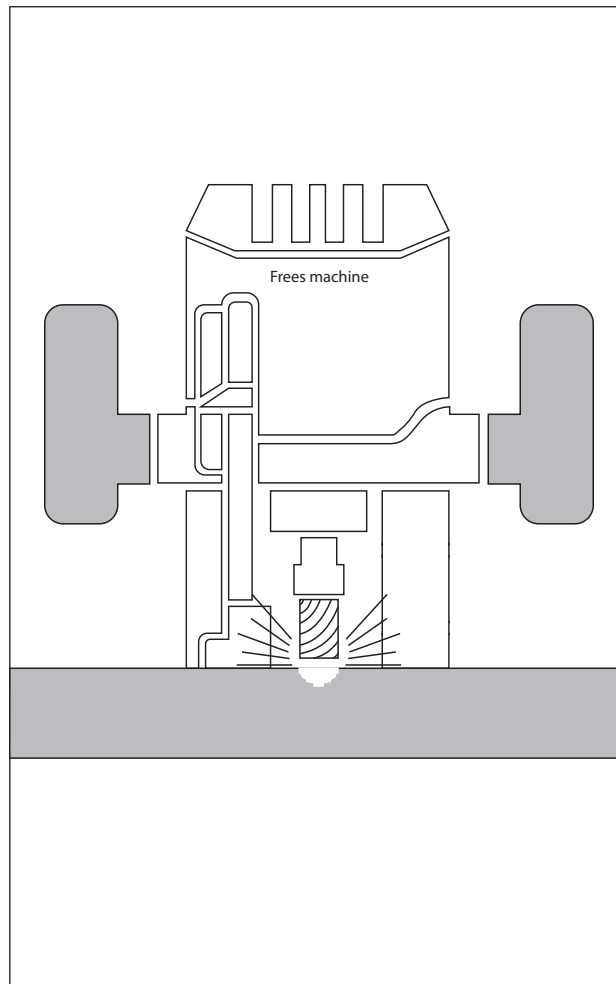
STEP 1

- Measure the thickness of the ceiling material in which the spot will be processed.



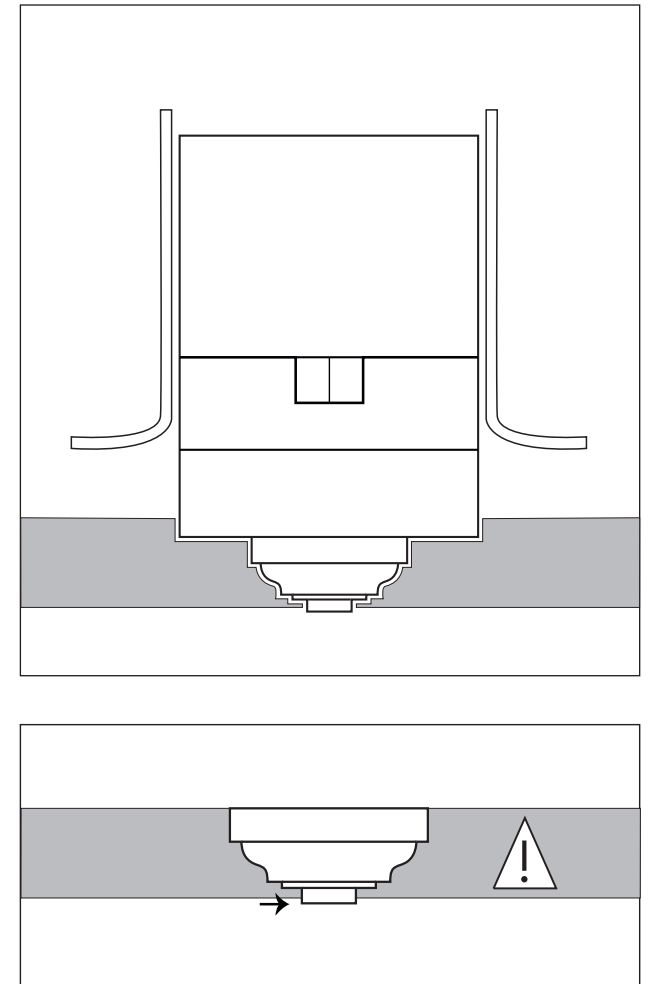
STEP 2

- Cut away part of the sheet material, so that the spot engine in the material disappears.



STEP 3

ATTENTION: Make sure the top of the little hat from the spot just below it sheet material.



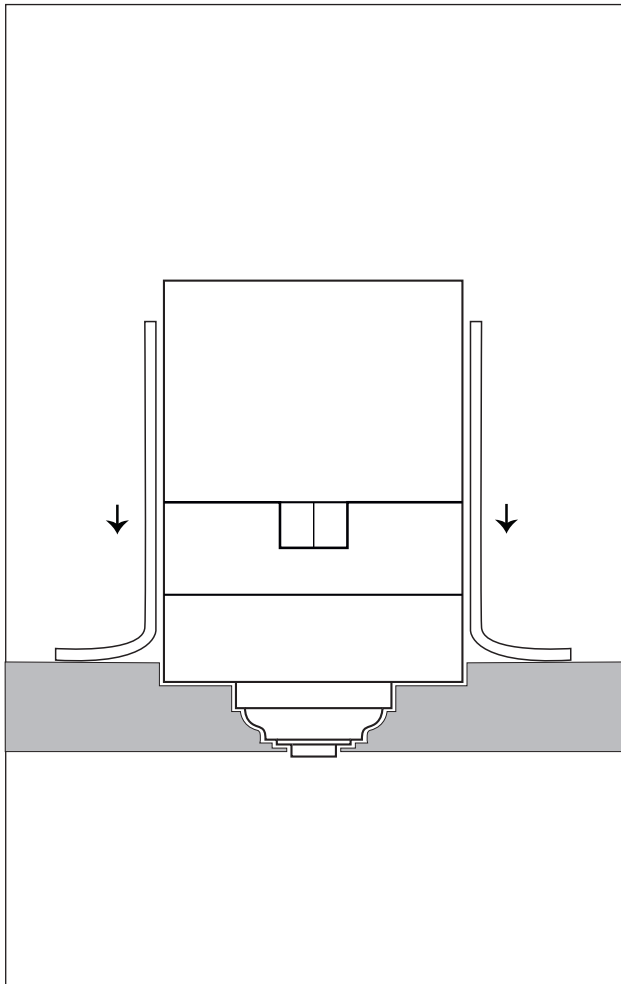


HANDLEIDING

FLOATING CEILING CONSTRUCTION - GLARELESS SPOT

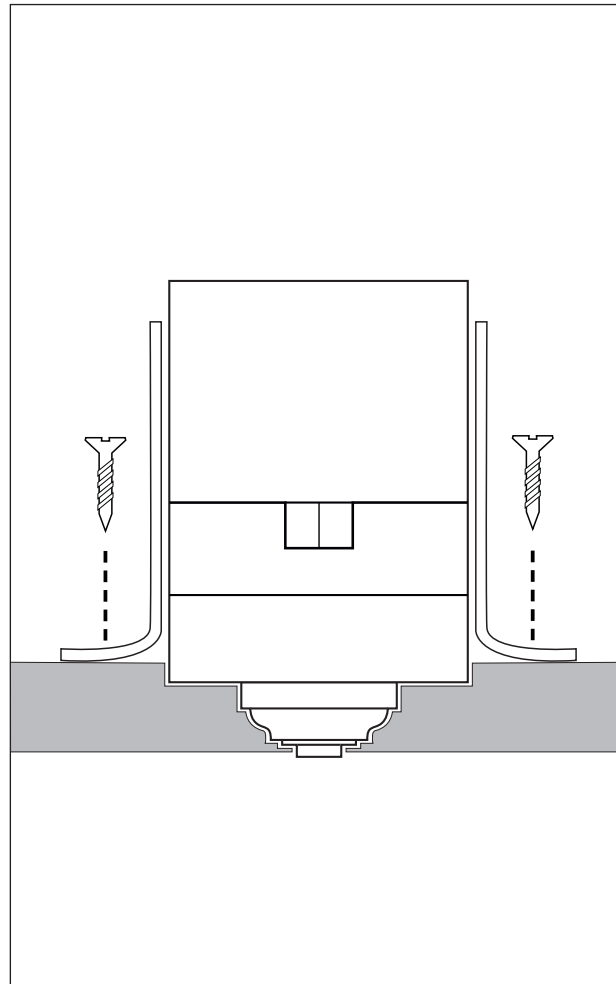
STEP 4

- Fix the spot above the ceiling by adjusting the side legs to the thickness of the sheet material.



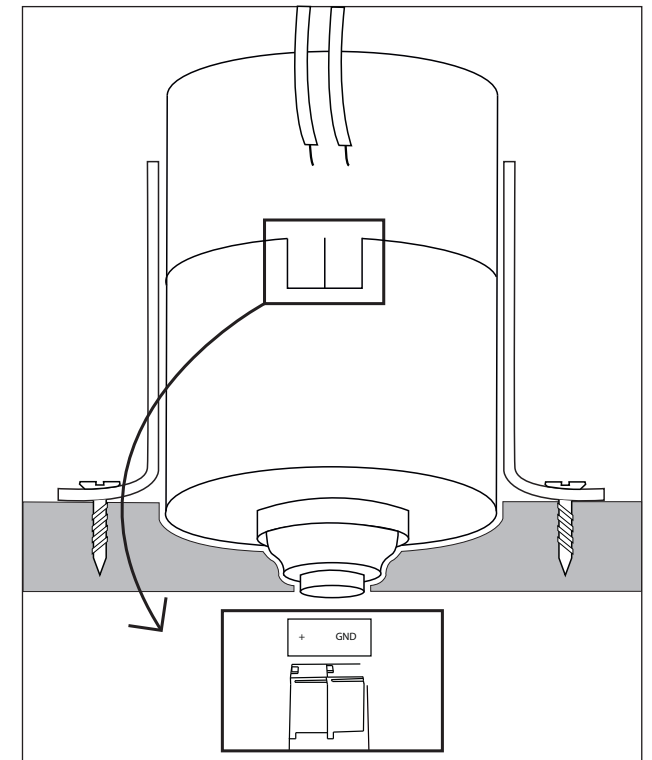
STEP 5

- Fasten the side legs with screws.



STEP 6

- Connect the "GND" and "+" to the plug of the spot. Press the orange part down to secure.
- To connect more spots in series, check our datasheet via the qr code below or go to our website



SCAN FOR INSTRUCTIONS