



# INSTRUCTION MANUAL

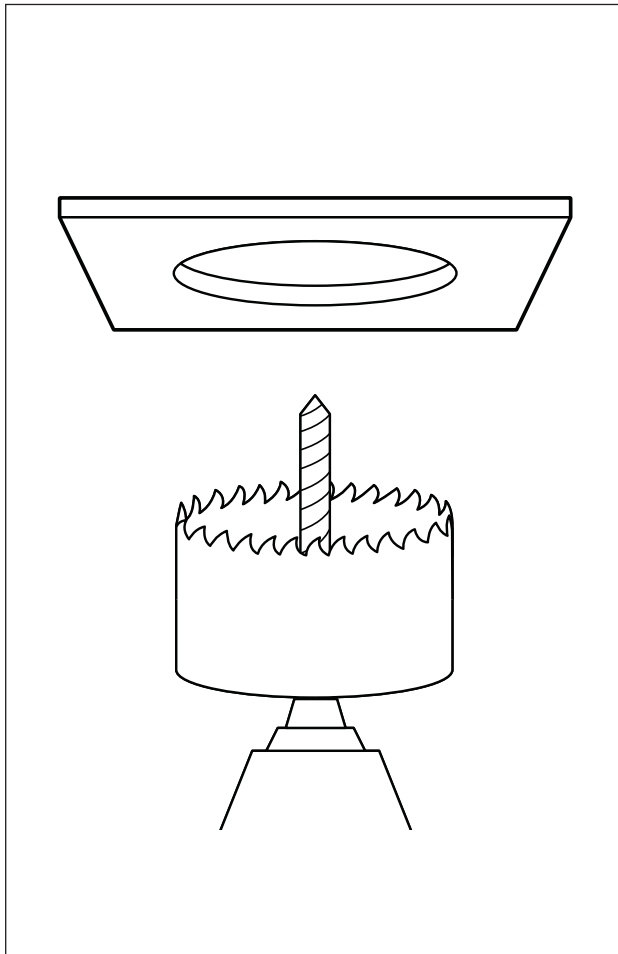
## MOUNTING CONSTRUCTION PLASTER RING - GLARELESS SPOT

### STEP 1

- Drill a hole in the ceiling with a hole saw of  $\varnothing$  88mm.

#### NECESSITIES

- Hole saw -  $\varnothing$  88mm
- Drill

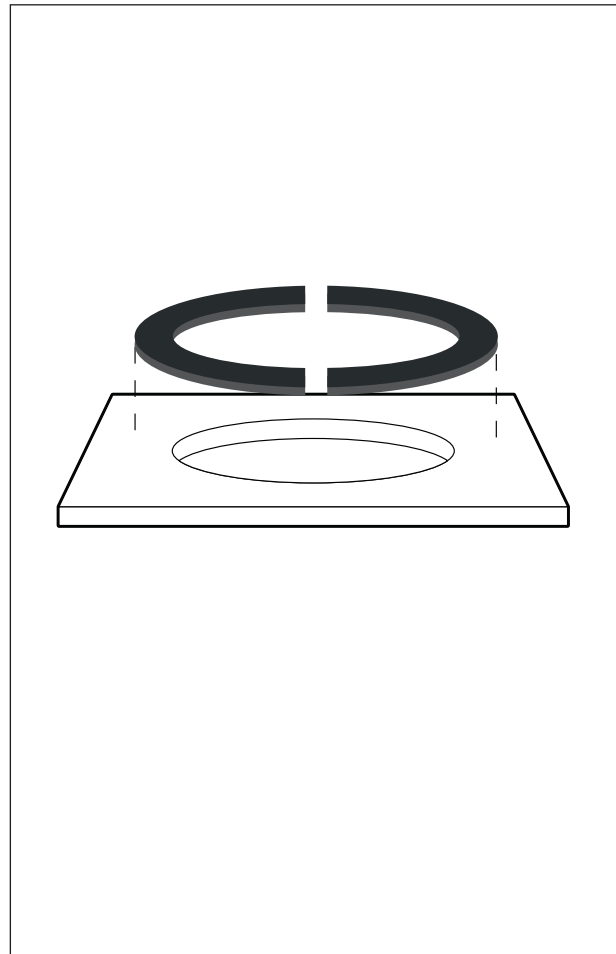


### STAP 2

- Attach the wooden ring with the adhesive strip around the drill hole above the ceiling.

#### NECESSITIES

- Two half wooden rings

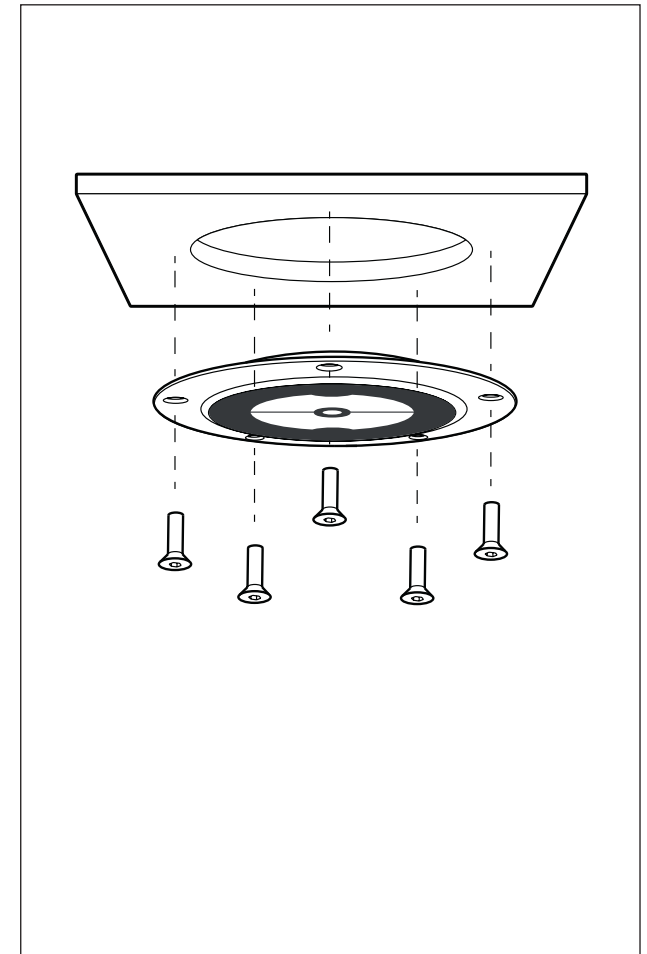


### STAP 3

- Place the plastering in the drill hole and screw the plastering tight with drywall screws.

#### NECESSITIES

- 5 times recessed drywall screws
- Screwdriver





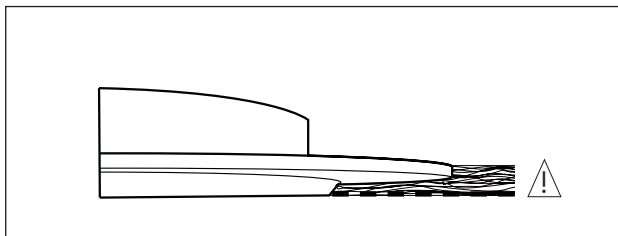
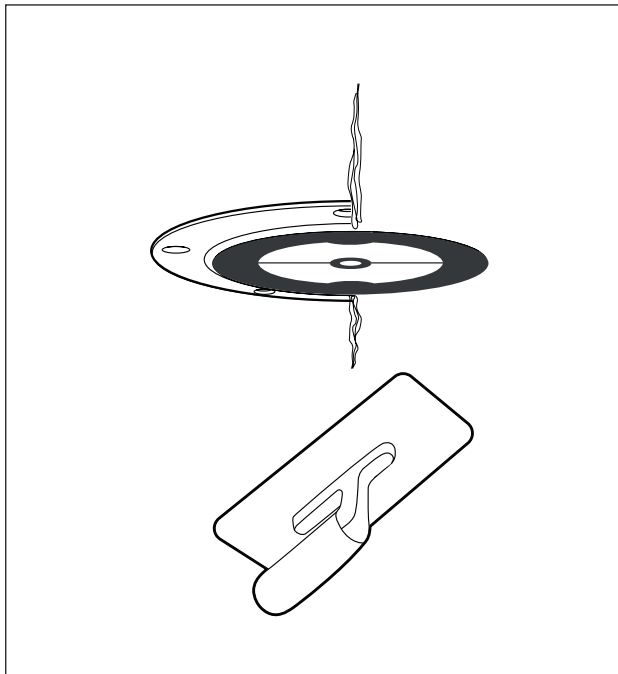
# INSTRUCTION MANUAL

MOUNTING CONSTRUCTION PLASTER RING - GLARELESS SPOT

## STEP 4

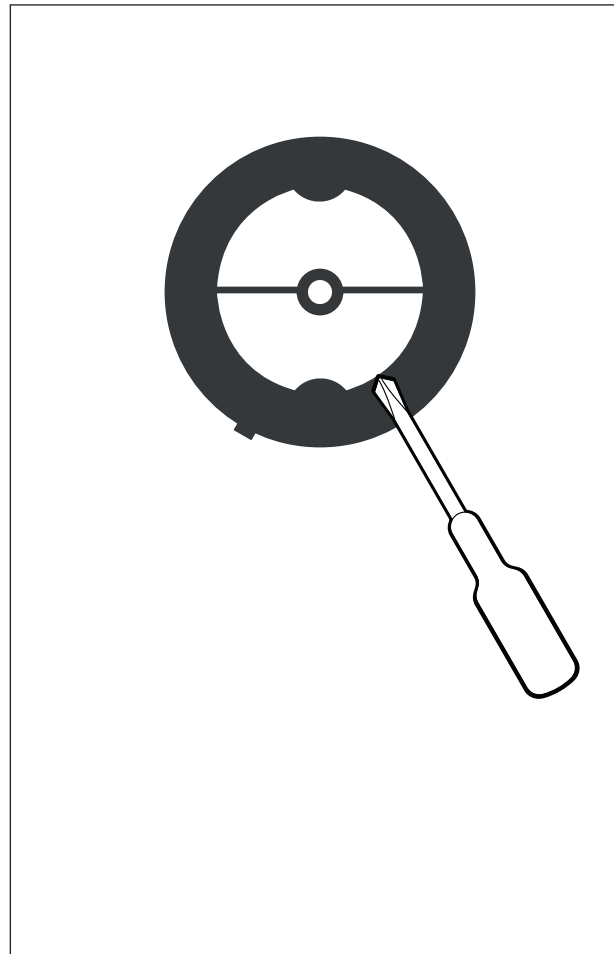
- Plaster the ceiling

CAUTION: SMOOTH THE PLASTER  
EVENLY WITH THE BLACK CAP



## STEP 5

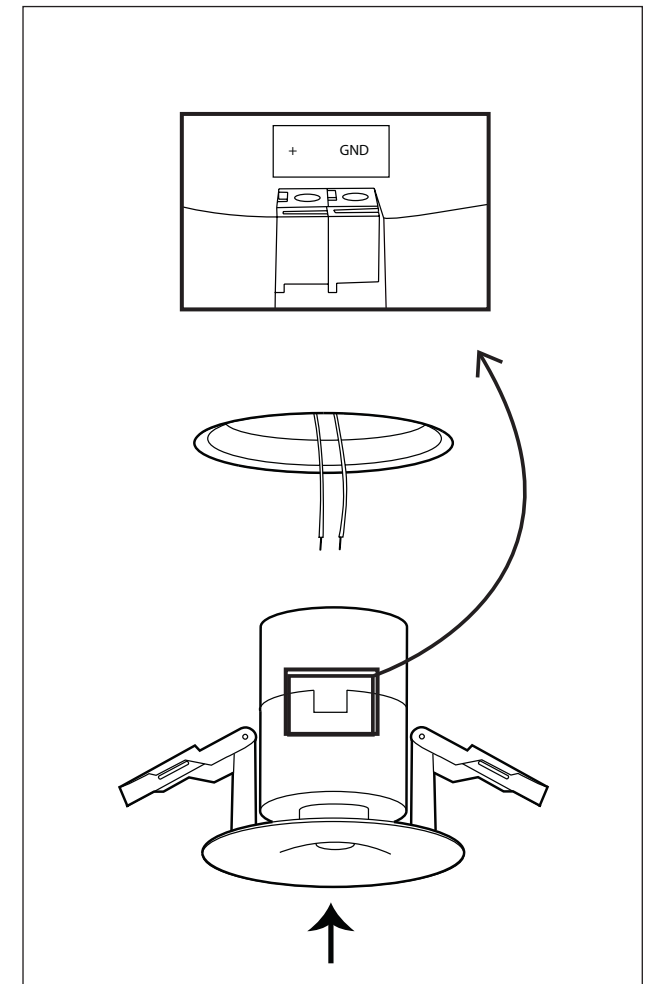
-After the plastering is complete. Pierce the hole in the center of the cap with a screwdriver and pry it out of the ceiling.



## STEP 6

-Look for the cabling of the spot in the datasheet on the website via the QR code on the last page.

-press the spot front into the plastering



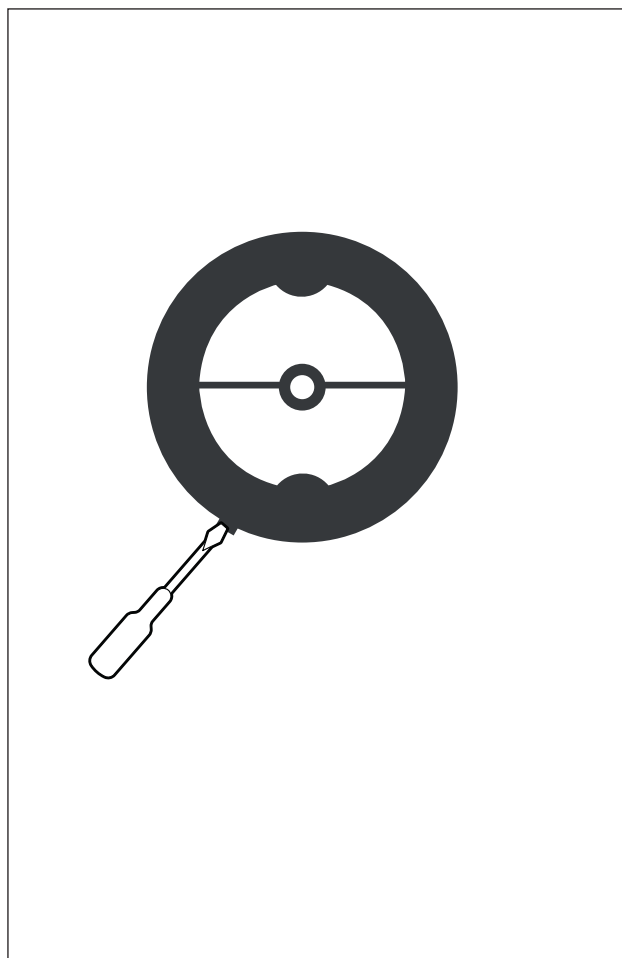


# INSTRUCTION MANUAL

MOUNTING CONSTRUCTION PLASTER RING - GLARELESS SPOT

## STEP 7

- To disassemble the spot, use a voltage finder to pry the spot up in the open lip of the plastering



SCAN FOR INSTRUCTIONS