

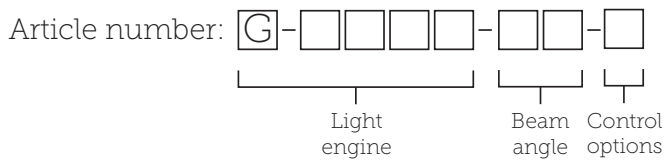


DATASHEET

RGB+W SPOT & DUAL WHITE SPOT

CONTENT	PAGE
RGB+W & DUAL WHITE SPOT	3
15W POWER SUPPLY	4
CASAMBI & DMX CONNECTION	5
25W POWER SUPPLY	6
CASAMBI & DMX CONNECTION	7
75W POWER SUPPLY	8
CASAMBI & DMX CONNECTION	9
150W POWER SUPPLY	10
CASAMBI & DMX CONNECTION	11

LIGHT ENGINE ORDER NUMBER CONFIGURATOR



LIGHT ENGINE	BEAM ANGLE	CONTROL OPTIONS
DUAL =2000K -3000K	20°	E= External driver
WDIM= 2200K - 3000K	40°	C= Internal driver Casambi
RGBW = RGB+W (2700K)		D= Internal driver DMX

DATASHEET

RGB+W SPOT & DUAL WHITE SPOT

1. MEASUREMENTS

	SPOT ENGINE	SW	DW/RGB+W
Plaster ring	Ø 55,4 mm	H 70 mm	H 86 mm
Spot engine	Ø 55,4 mm	H 70 mm	H 86 mm
Spring clips	Ø 55,4 mm	H 70 mm	H 86 mm
Surface mounted pin spot	Ø 110 mm	H 120mm x Ø 110mm	H 120 mm x Ø 110 mm
Flange size (spring clips)		1mm x Ø90mm, 1mm x Ø112 mm or custom	1 mm x Ø 90 mm, 1 mm x Ø 112 mm or custom
Drill diameter of flange (spring clips)			Ø 76 mm

2. SPECIFICATIONS

LIGHT SOURCE	VOLTAGE
Light composition	DUAL WHITE & RGB+W
Lumen output	Ca. 300-400 Lumen
Control options	Integrated driver: Casambi, DMX External driver: DALI, Casambi, DMX
Dimming options	Casambi, DMX, DALI
Luminaire type, assembly, adjustable	Ceiling build in, plaster rings, Spring clips, Spot engine, Surface mounted
Dimensions	See technical drawings
Flange	Aluminium
Heat sink	Casting aluminium
Finish / colour	Powder coated - Black, White, Customized, Anodised
Protection marking compliance	IP20, CE
Warranty	2 years
Produced in	The Netherlands
Specials	Customized version, Light colour, colour Rendering
Colour rendering index	CRI 85-95
Lifespan	70% after 50.000H
Internal driver	Voltage: 24 VDC, Power: 12W max
External drive	Current: 950mA, Power: 12W max

3. MAXIMUM REMOTE MOUNTING DISTANCE OF LED LOAD

AWG 20 (0.52 mm²) - 14 m

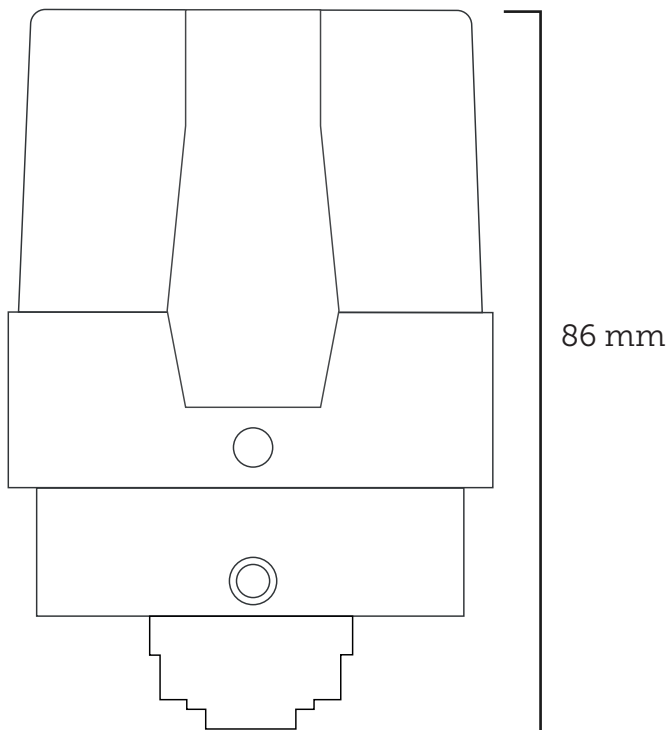
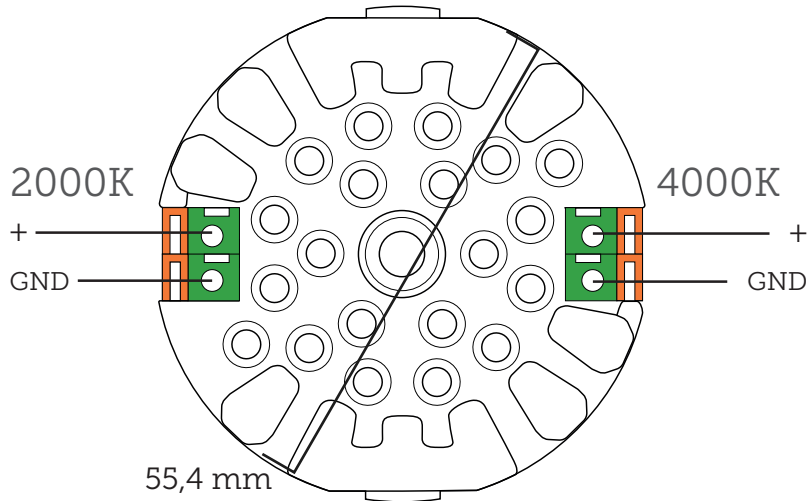
AWG 19 (0.65 mm²) - 18 m

AWG 18 (0.82 mm²) - 22 m

AWG 17 (1.04 mm²) - 28 m

AWG 16 (1.31 mm²) - 36 m

4. MECHANICAL DETAILS



5. WIRING ("+" & "GND")

Stranded wire: 0.2 - 1.5 mm²

Wire strip length: 6.0 - 10.0 mm

DATASHEET

DUAL WHITE SPOT - INTERNAL DRIVER

1. PRODUCT OFFERING

15W SINGLE OUTPUT SWITCHING POWER SUPPLY

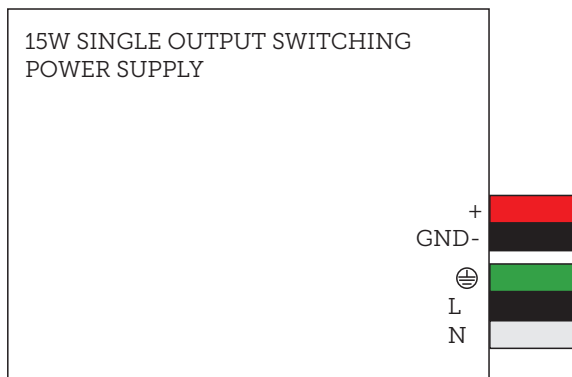
ART NR

2. EXTERNAL DRIVER CASAMBI 20 WATT MECHANICAL DETAILS

Length (L): Typical: 62.5 mm

Width (W): Typical: 51 mm

Height (H): Typical: 28 mm



3. WIRING INPUT

Solid wire: 0.2 - 3.0 mm²

Stranded wire: 0.2 - 3.0 mm²

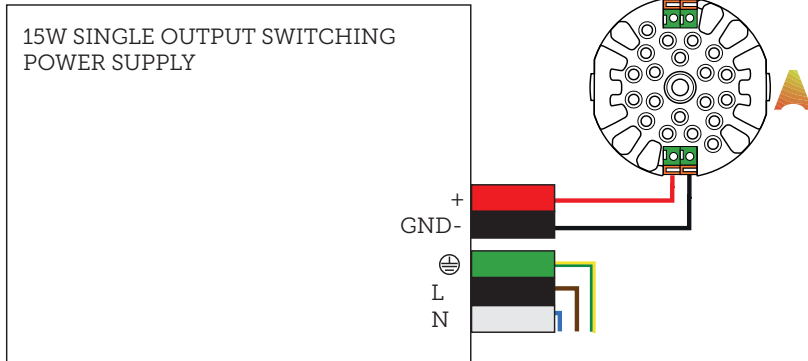
Wire strip length: 9.0 mm

4. WIRING OUTPUT

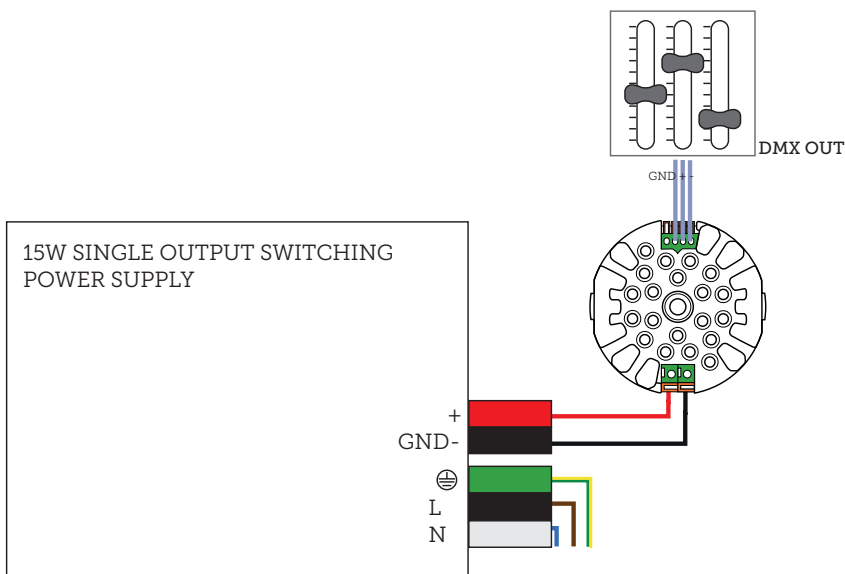
Stranded wire: 0.5 - 1.5 mm²

Wire strip length: 9.0 mm

5. CONNECTED PARALLEL CASAMBI



6. CONNECTED PARALLEL DMX



DATASHEET

DUAL WHITE SPOT - INTERNAL DRIVER

1. PRODUCT OFFERING

25W SINGLE OUTPUT SWITCHING POWER SUPPLY

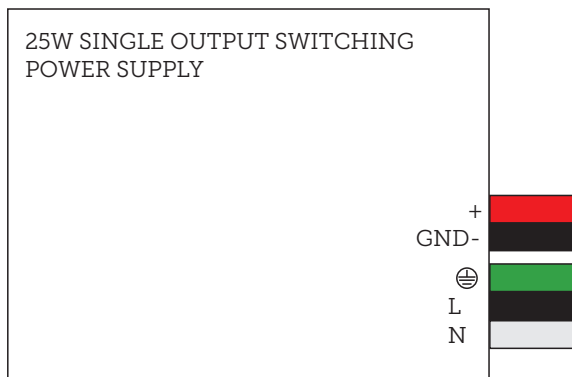
ART NR

2. EXTERNAL DRIVER CASAMBI 20 WATT MECHANICAL DETAILS

Length (L): Typical: 78 mm

Width (W): Typical: 51 mm

Height (H): Typical: 28 mm



3. WIRING INPUT

Solid wire: 0.2 - 3.0 mm²

Stranded wire: 0.2 - 3.0 mm²

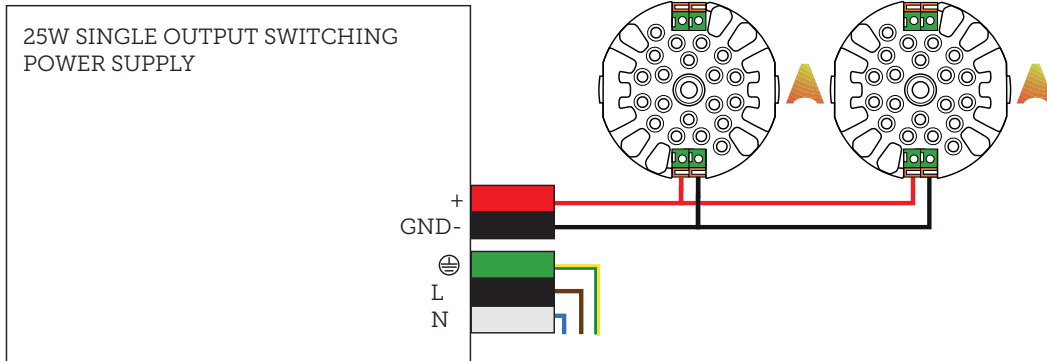
Wire strip length: 9.0 mm

4. WIRING OUTPUT

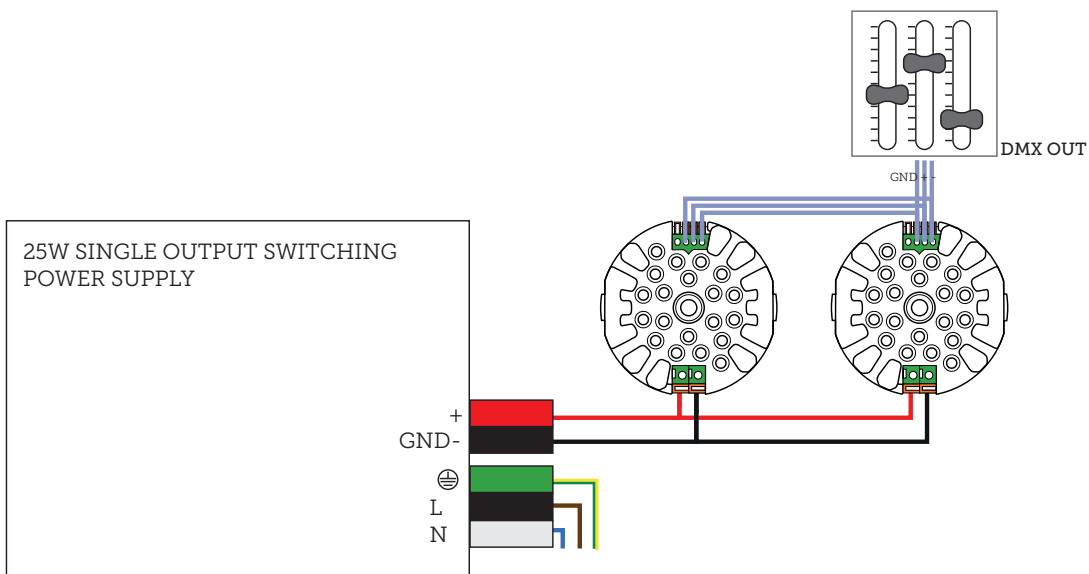
Stranded wire: 0.5 - 1.5 mm²

Wire strip length: 9.0 mm

5. CONNECTED PARALLEL CASAMBI



6. CONNECTED PARALLEL DMX



DATASHEET

DUAL WHITE SPOT - INTERNAL DRIVER

1. PRODUCT OFFERING

48~75W CONSTANT VOLTAGE POWER SUPPLY

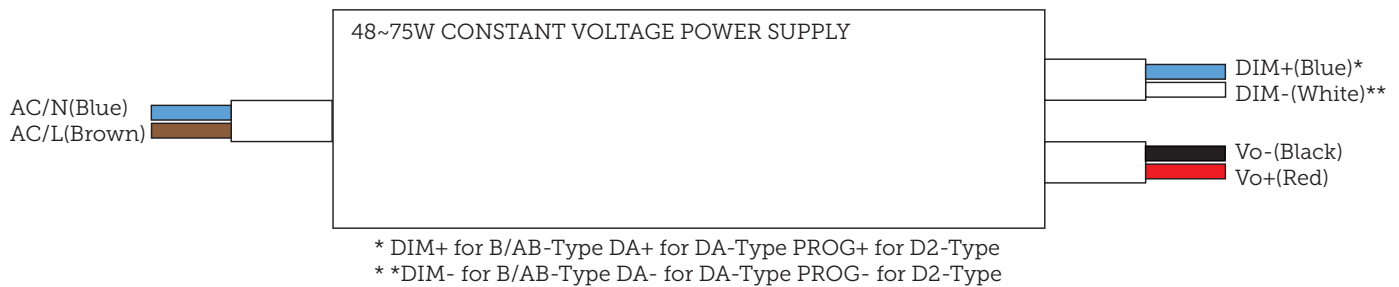
ART NR

2. EXTERNAL DRIVER CASAMBI 20 WATT MECHANICAL DETAILS

Length (L): Typical: 180 mm

Width (W): Typical: 63 mm

Height (H): Typical: 35,5 mm



3. WIRING INPUT

Solid wire: 0.2 - 3.0 mm²

Stranded wire: 0.2 - 3.0 mm²

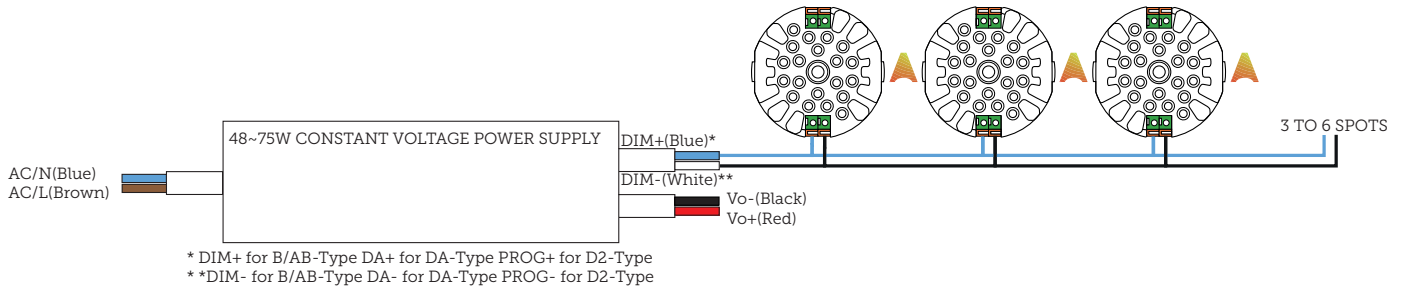
Wire strip length: 9.0 mm

4. WIRING OUTPUT

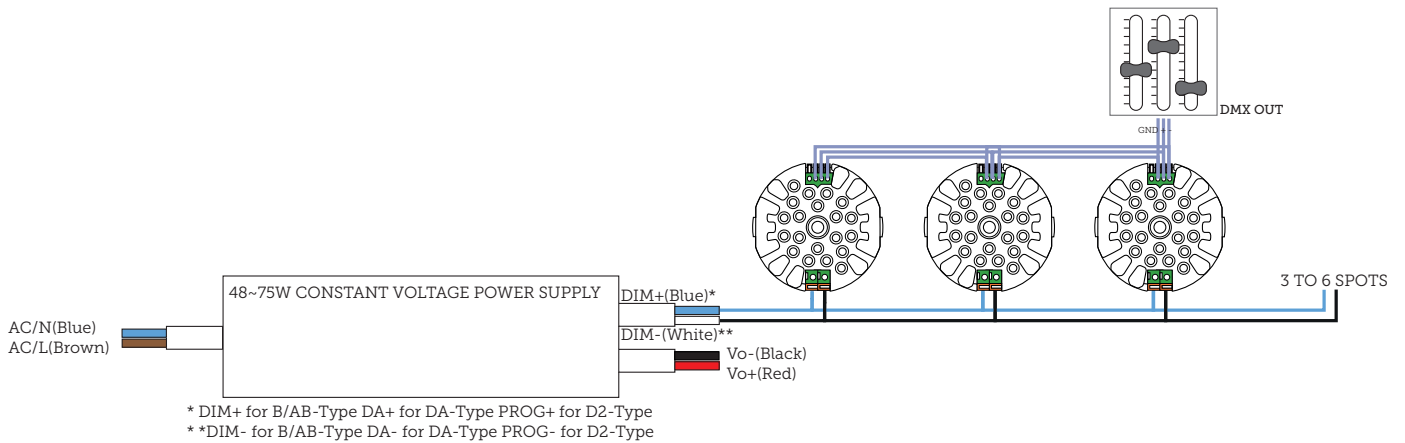
Stranded wire: 0.5 - 1.5 mm²

Wire strip length: 9.0 mm

5. CONNECTED PARALLEL CASAMBI



6. CONNECTED PARALLEL DMX



DATASHEET

DUAL WHITE SPOT - INTERNAL DRIVER

1. PRODUCT OFFERING

84~150W CONSTANT VOLTAGE POWER SUPPLY

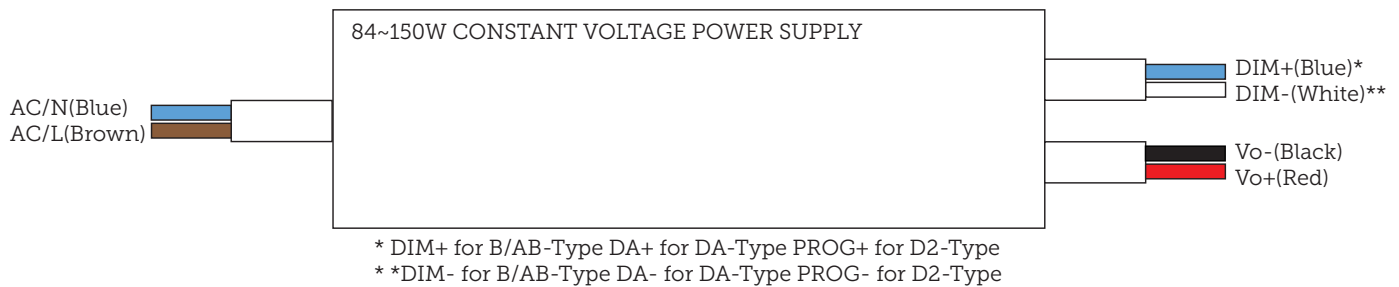
ART NR

2. EXTERNAL DRIVER CASAMBI 20 WATT MECHANICAL DETAILS

Length (L): Typical: 219 mm

Width (W): Typical: 63 mm

Height (H): Typical: 35,5 mm



3. WIRING INPUT

Solid wire: 0.2 - 3.0 mm²

Stranded wire: 0.2 - 3.0 mm²

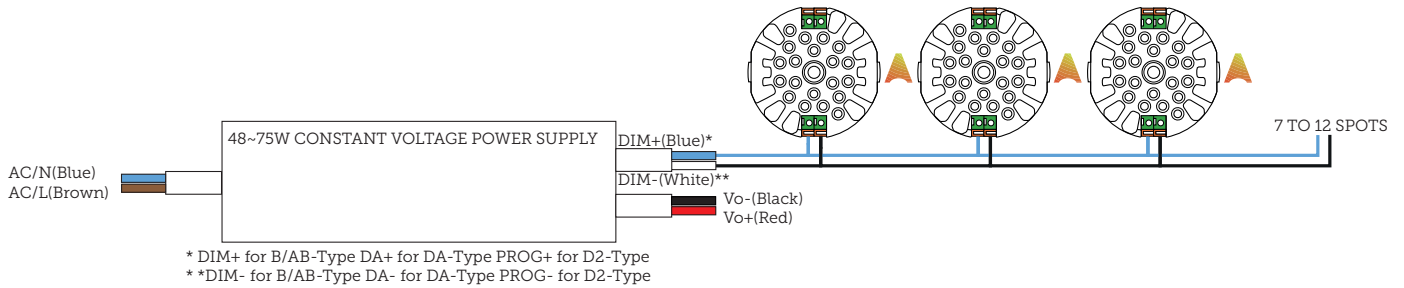
Wire strip length: 9.0 mm

4. WIRING OUTPUT

Stranded wire: 0.5 - 1.5 mm²

Wire strip length: 9.0 mm

5. CONNECTED PARALLEL CASAMBI



6. CONNECTED PARALLEL DMX

