

# DATASHEET

# DYDELL

## DYDELL Powerline



### AVAILABLE LENGTHS:

Type of PCB	Length [mm]
Master	345
Slave 1 - 1	217,4
Slave 1	325
Slave 2 - 3	413,75
Slave 2 - 2	539,75
Slave 2 - 1	647,75
Slave 2	757

Any length of powerline can be created, using these measurements. At least 1 master required, accompanied by any number of slaves.

The measurements stated here, are the lengths of the PCB. The profile can be created in any desired length (accurate to the millimeter).

Contact DYDELL, for custom made lengths and personal advice.

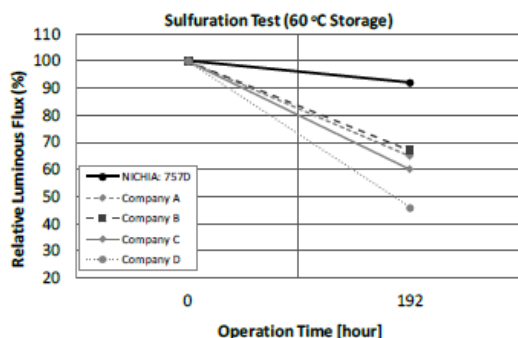
### AVAILABLE TYPES:

Light engine	Length	Cable entry	RAL profile	Control options
PL-WD = Warm Dimming 2200K-3000K	350 mm	T = Semi transparent	A = Anodizing Aluminium Surface	D = DMX (Loxone / KNX )
PL-DW = Dual white 2000K-5000K	571 mm	W = white	W = White	C = Casambi
PL-RGBW = RGB+W 2700K	678 mm	B = Black	B = Black	O = 0-10V (only SW)
PL-SW27 = Single white 2700K	785 mm	C = Customized	RC = customized	E = External driver
PL-SW30 = Single white 3000K	839 mm			P = Smart Switching (only DW)
PL-SW40 = Single white 4000K	1001 mm			
PL-SW57 = Single white 5700K	...			
PL-CUS = Single white customized	> 5000 mm			

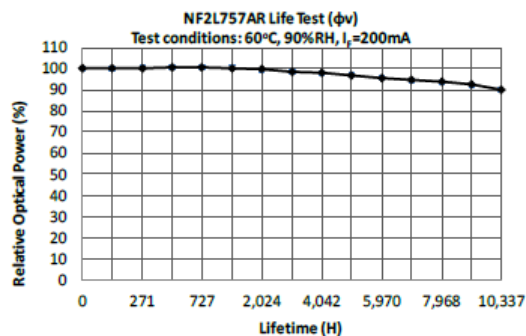
### SPECIFICATIONS:

Light Source		LED Powerline
Input	Voltage (VDC)	24
	Current	24 max.
Protection	Over voltage	24 ~ 26 VDC
	Short Circuit	No protection
Environment	Temperature	Operating: -15°C ~ 70°C
	Humidity	Operating: 5% ~ 90% RH (non Condensing)
M.T.B.F.		> 50K hours (Estimated)
Safety	Approved:	CE
Production	Produced in:	The Netherlands

### LED'S:



Nichia LED's relative to other LED's



Lifespan test LED's 200 mA  
(DydeLL uses these LED's with 65 mA)

DYDELL BV  
Koppersweg 83  
2031 EB Haarlem  
The Netherlands

Telephone  
+31(0)23 529 38 88

E-mail  
info@dydell.com

Bank  
ABN AMRO  
NL35ABNA0421024550

BIC  
ABNAL2A

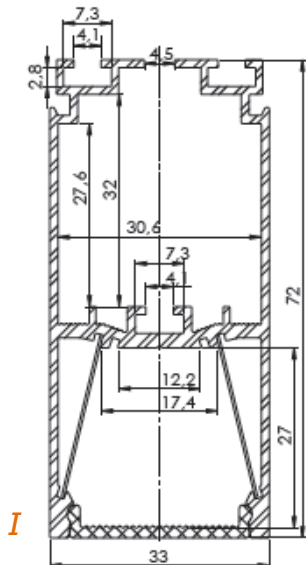
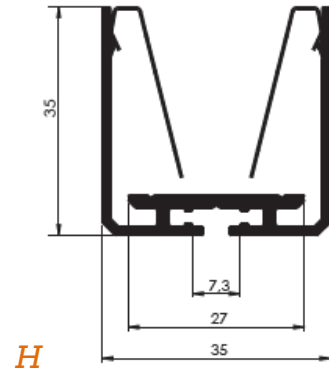
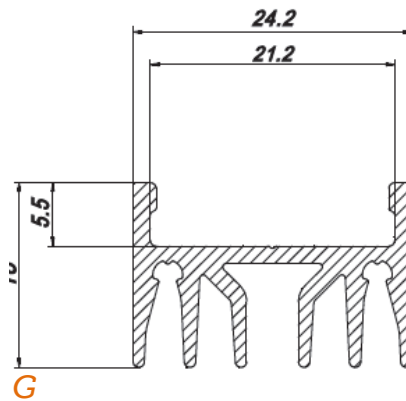
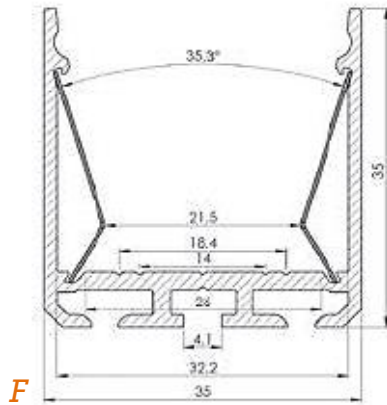
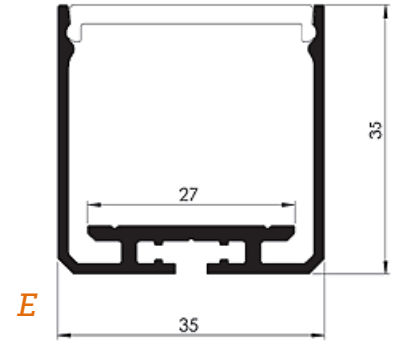
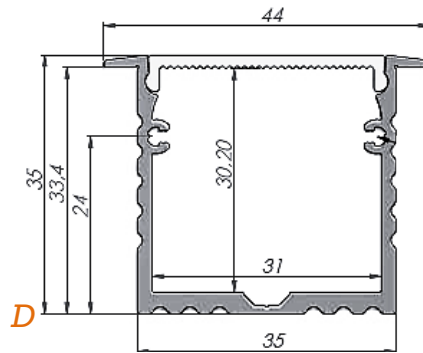
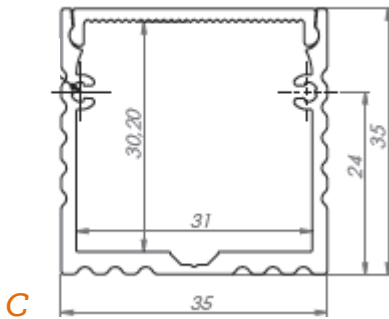
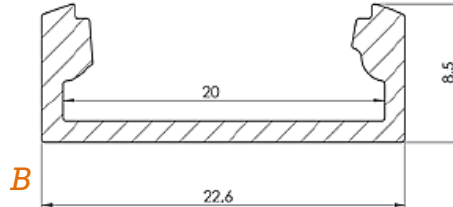
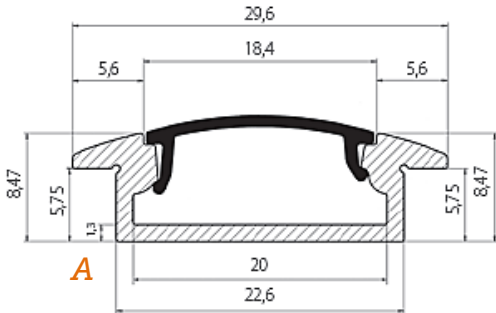
KvK/CoC  
521676580000

BTW/VAT  
NL850326722B01



AVAILABLE PROFILES:

profile	Material Colour Ingress protection rating	Anodized Aluminium White, Black, Aluminium, Custom IP20
Cover	material Finish Light	Opal PC antiglare Diffuse even light without visible LED's UV inhibitor



Alternative profiles are possible for creating powerlines, provided that the internal width is at least 20 mm.

Contact DYDELL to discuss possible profiles, other possibilities and personal advice.

